



Since 1966

Tubular Specialties Manufacturing, Inc.

13011 South Spring Street, Los Angeles, CA 90061-1685

Phone 800/CALL TSM (800/225-5876) or 310/515-4801

online www.grabbar.com • Fax 310/217-0653

731

Folding Wheelchair Transfer Seat

Technical Data

Revised Sept. 2001

Page 1 of 2



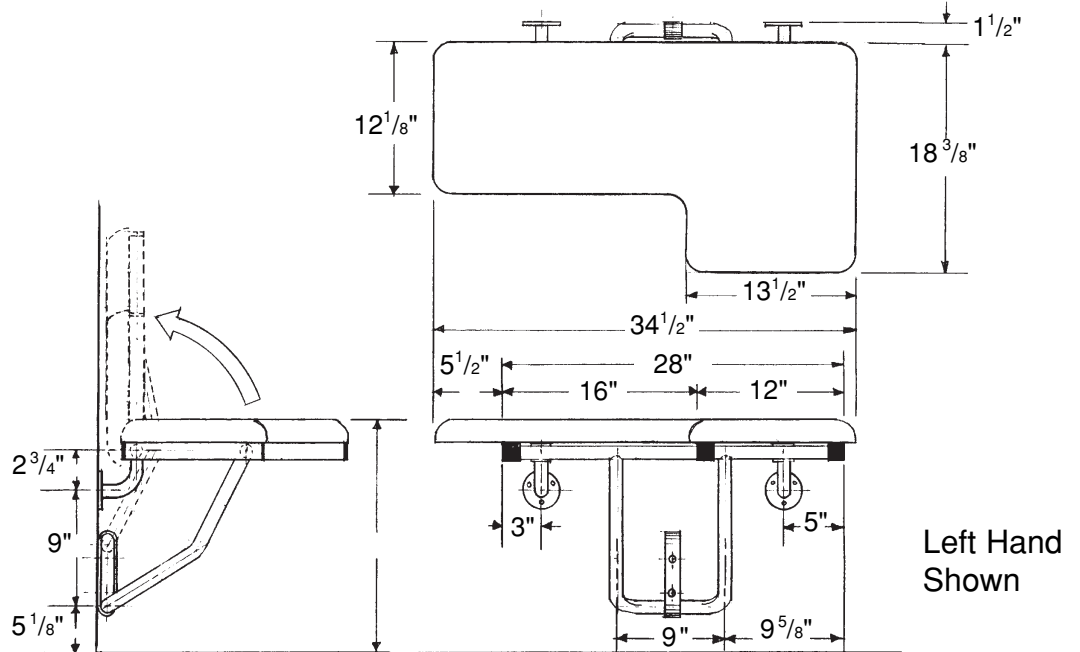
Model 731-A, Left Hand



Model 731-A, Right Hand



Folded Up Against Wall



731-A Seat with Naugahyde Cushion



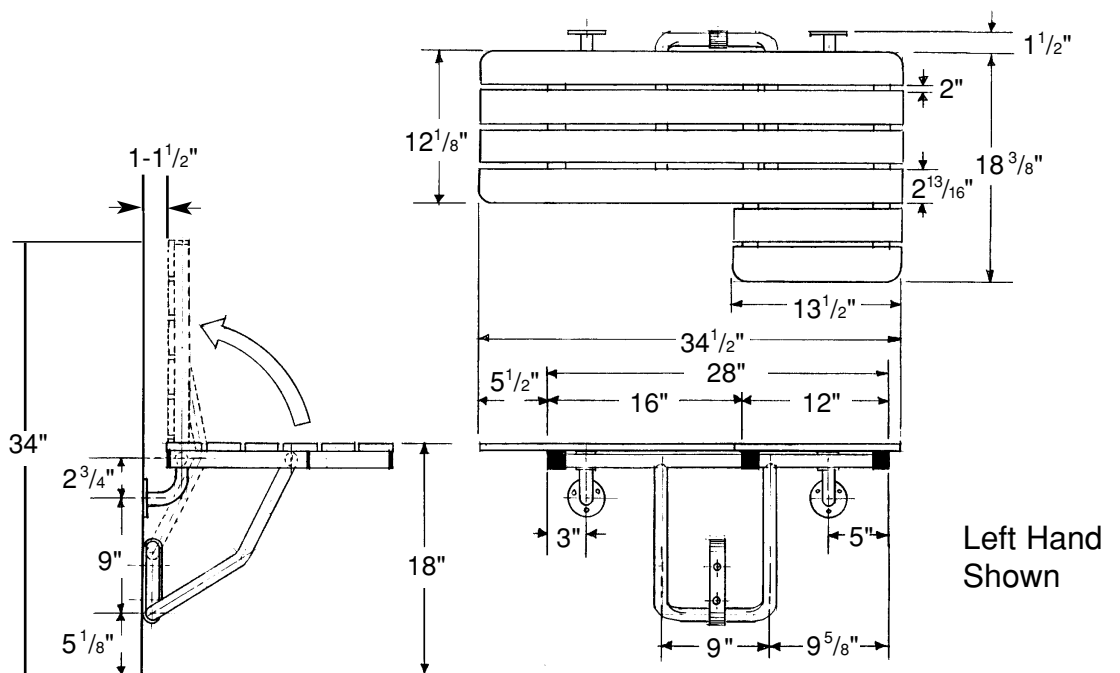
Model 731-PH, Left Hand



Model 731-PH, Right Hand



Folded Up Against Wall



731-PH Seat with Phenolic Slats



Guarantee

TSM 733 Shower Seats are guaranteed against defects in workmanship and material for one year from shipping date.



Design Considerations

- The Folding Wheelchair Transfer Seat complies with the Americans with Disabilities Act (ADA) for use in a 36" x 36" shower stall. The seat's distinctive shape allows the user to transfer from a wheelchair to the narrow part of the seat and slide across to the wide section which is installed at the corner of the stall.
- Grab bars should be specified in conjunction with all shower seats.
- Naugahyde is the most comfortable surface to sit on and the seamless design of the cushion renders the surface virtually waterproof; however, some people find the natural give of a cushion

can be difficult to slide across.

- Phenolic is a high pressure laminate which is sturdy and easy to clean. The surface is easier for most people to slide across because it is hard and smooth. In addition, the slats provide convenient drainage. Phenolic requires little or no maintenance other than regular cleaning.
- In-wall backing is required for every shower seat installation; consult local codes to assure compliance.
- The 731 will support 250 pounds of static load when correctly installed.
- All shower seats should be inspected periodically to assure fasteners are secure.



Model Numbers

- | | |
|--|--|
| <input type="checkbox"/> 731-A, RH | <input type="checkbox"/> 731-A, LHStandard Satin Finish Frame + White Cushion |
| <input type="checkbox"/> 731-A/CC, RH | <input type="checkbox"/> 731-A/CC, LHStandard Satin Finish Frame + Colored Cushion [Color: _____] |
| <input type="checkbox"/> 731-A/POWD, RH | <input type="checkbox"/> 731-A/POWD, LHPowdercoated Frame [Color: _____] + White Cushion |
| <input type="checkbox"/> 731-A/PLAT, RH | <input type="checkbox"/> 731-A/PLAT, LHPlated Frame [Color: _____] + White Cushion |
| <input type="checkbox"/> 731-A/CC/POWD, RH | <input type="checkbox"/> 731-A/CC/POWD, LH .Powdercoated Frame [Color: _____] + Colored Cushion [Color: _____] |
| <input type="checkbox"/> 731-A/CC/PLAT, RH | <input type="checkbox"/> 731-A/CC/PLAT, LH .Plated Frame [Color: _____] + Colored Cushion [Color: _____] |
|
 | |
| <input type="checkbox"/> 731-PH, RH | <input type="checkbox"/> 731-PH, LHStandard Satin Finish Frame + Woodgrain Slats |
| <input type="checkbox"/> 731-PH/POWD, RH | <input type="checkbox"/> 731-PH/POWD, LH . . .Powdercoated Frame [Color: _____] + Woodgrain Slats |
| <input type="checkbox"/> 731-PH/PLAT, RH | <input type="checkbox"/> 731-PH/PLAT, LHPlated Frame [Color: _____] + Woodgrain Slats |
| <input type="checkbox"/> 731-PHI, RH | <input type="checkbox"/> 731-PHI, LHStandard Satin Finish Frame + Ivory Slats |
| <input type="checkbox"/> 731-PHI/POWD, RH | <input type="checkbox"/> 731-PHI/POWD, LH . . .Powdercoated Frame [Color: _____] + Ivory Slats |
| <input type="checkbox"/> 731-PHI/PLAT, RH | <input type="checkbox"/> 731-PHI/PLAT, LH . . .Plated Frame [Color: _____] + Ivory Slats |

Powdercoated Frame Color Options

White, Biscuit, Almond, Parchment, Light Mocha, Taupe, Rosy Taupe, Wheat, Palomino, Sun Gold, Nutmeg, Vanilla, Navy, Slate Blue, Gray, Seafoam Green, Forest Green, Verdigris, Turquoise, Pink, Red, Black.

Plated Frame Finish Options

Bright Brass, Satin Brass, Antique Brass, Antique Bronze, Satin Bronze, Black Nickel, Satin Nickel, Bright Copper, Bright Gold (24K), Satin Gold (24K).

Cushion Color Options

Almond, Parchment, Light Mocha, Taupe, Rosy Taupe, Wheat, Palomino, Nutmeg, Vanilla, Navy, Slate Blue, Gray, Dark Seafoam Green, Forest Green, Verdigris, Turquoise, Light Pink, Red, Black.



Operation

The guide bracket supports U-shaped legs which move up and down with minimal but intended resistance, allowing the seat to be lowered into position or raised to be folded parallel to the wall. The seat is maintained in its upright position by a unique detent feature which prevents free falling of the seat.



Suggested Architectural Specification

TSM Model # _____ Folding Wheelchair Transfer Seat from Tubular Specialties Manufacturing, Inc., Los Angeles, California, 310/515-4801 or 800/Call TSM (800/225-5876). Frame: Stainless steel satin finish type 304 (18-8) 1 1/4" x 16 gauge square tubing (32x1.5mm) and 1" x 18

gauge round tubing (25x1.2mm). (Optional - Frame plated or powdercoated color: _____.) Seat: [Naugahyde cushion in (white) (color: _____) covering 2 1/2" (64mm) thick foam rubber] [Phenolic slats 2 13/16" x 1/2" thick (71x13mm) in (woodgrain) (ivory)]. Handing: [Right] [Left].



Materials/Workmanship

- | | |
|-----------------------------|--|
| Slats | Slats 2 13/16" wide x 1/2" thick (71x13mm) solidly fused plastic laminate 1/2" thick (13mm) with matte-finish melamine surfaces, ivory colored face sheets and black phenolic resin core, integrally bonded (cannot be delaminated). Bolted to frame with countersunk stainless steel machine screws and cap nuts. |
| Cushion | Naugahyde covering 2" (50mm) thick foam rubber mounted on 1/2" (13mm) marine plywood, seamless design. |
| Frame | Stainless steel tubing type 304 (18-8) 1 1/4" x 16 gauge (32x1.5mm) square and 1" x 18 gauge (25x1.2mm) round with #4 satin finish all welded construction. |
| Mounting Flanges (2) | Stainless steel type 304 (18-8) 8 gauge round 3" (4.2x76mm) diameter. Underslung supports of 1" x 12 gauge (32x2.7mm) sleeves 1 1/2" (38mm) in length at top. Flanges have three 1/4" (6mm) mounting holes. |
| Guide Bracket | Stainless steel Type 304 (18-8) 8 gauge, formed construction with two 1/4" (6mm) screw holes. |



Installation

1. The 731 is manufactured to hold 250 pounds (113.5Kg), but it is only as strong as the wall it is mounted on.
2. In-wall backing is required. If the shower is prefabricated, secure and appropriate backing must be provided by the shower stall manufacturer.
3. Seat is surface mounted to wall through in-wall backing with two mounting flanges at top and guide bracket below. While local codes must be complied with in mounting seat, the recommended seat height is 18" (457mm) above floor level. The template that is supplied with each seat will allow you to mount the seat at that height. Mounting holes from finished floor for cushion model are 4 3/4" & 7 3/4" for guide bracket and 11 3/8" & 13" for flanges; mounting holes for phenolic model are 6 1/2" & 9 1/2" for guide bracket and 13 1/8" & 14 3/4" for flanges.
4. It is the installer's responsibility to select fasteners that are appropriate for the wall condition and application; TSM does not include fasteners with shower or tub seats.