



# Tubular Specialties Manufacturing, Inc.

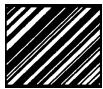
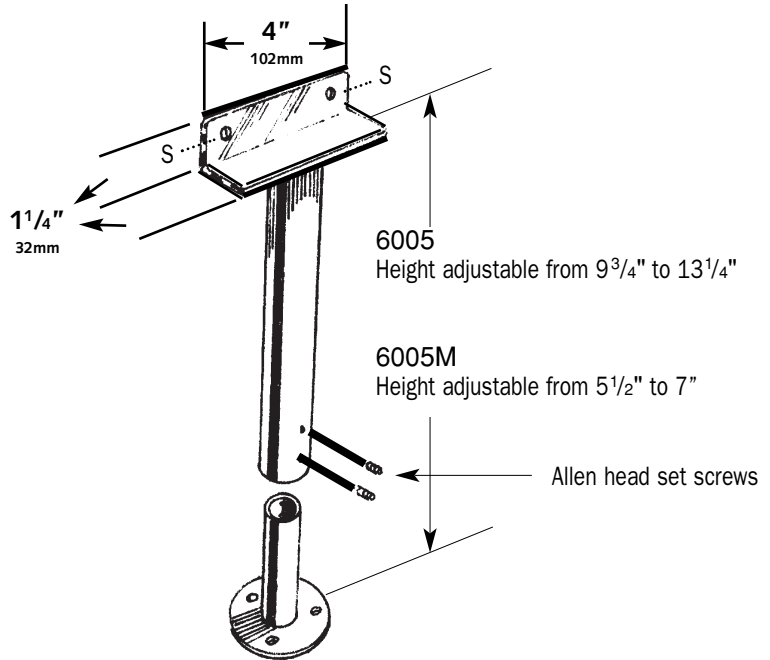
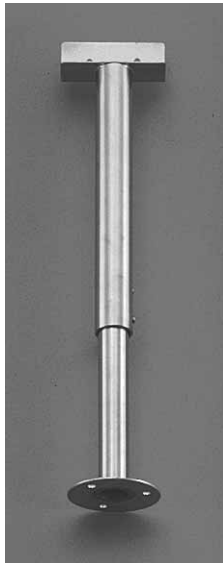
13011 South Spring Street, Los Angeles, CA 90061-1685  
Phone 800/CALL TSM (800/225-5876) or 310/515-4801  
online www.grabbar.com • Fax 310/217-0653

# 6005

## Technical Data

Revised Feb. 2001

# Partition Brace



## Model Numbers

- 6005** . . . . .Height adjustable from 9<sup>3</sup>/<sub>4</sub>" to 13<sup>1</sup>/<sub>4</sub>" (248-337mm)
- 6005M** . . . . .Height adjustable from 5<sup>1</sup>/<sub>2</sub>" to 7" (140-178mm)



## Operation

Floor-mounted unit supports 1/2" - 1 1/2" (13-38mm) thick partition panels. Height is adjustable. Although dimensions shown on channel frame are standard, they can be modified to fit requirements.



## Suggested Architectural Specification

TSM model [6005] [6005M] Partition Brace from TSM.  
Tubular Specialties Manufacturing, Inc., 13011 So. Spring St., Los Angeles, California, 90061-1685, 800/Call TSM (800/225-5876).  
Material: Satin finish stainless steel type 304 (18-8). Tubing: 1 1/4" x 12 gauge (32x2.7mm) with adjustable internal dowel

1" x 18 gauge (25x1.2mm). Channel: 16 gauge (1.5mm) sheet with two 1/4" (6mm) holes for securing to partition. 90° angle channel is heliarc welded to top of brace. Flange: Round 3" x 8 gauge (76x4.2mm) with three 1/4" (6mm) mounting holes, heliarc welded to internal dowel.



## Installation

1. Partition brace is surface mounted onto floor at locations marked by an "S".
2. Angle channel is mounted onto partition at locations marked by an "S". Will support partition panels 1/2" to 1 1/2" (13-38mm) thick.
3. While TSM provides five stainless steel screws with each partition brace, it is the installer's responsibility to select fasteners that are appropriate for the floor condition and application. Two Allen head set screws (provided) hold unit in place at desired height of partition.
4. Accessories, including partition braces, should be inspected periodically to make sure their attachment to the floor and partition is not loosening.

Manufacturer reserves the right to alter design or dimensions without formal notice and without incurring obligation.



## Guarantee

TSM 6005 Partition Brace is guaranteed against defects in workmanship and material for one year from shipping date.