



# TUBULAR SPECIALTIES MANUFACTURING

*CATALOG 825*

*Washroom Accessories*

## TABLE OF CONTENTS

Cubicle Track & Closet Rods . . . . .	34
Corner Guards . . . . .	30-31
Door Frame Savers & Kickplates . . . . .	31
Dryers . . . . .	9
Fasteners . . . . .	23
Grab Bars . . . . .	14-22
Hotel Accessories . . . . .	28
Medicine Cabinets, Soap Dishes & Hooks . . . . .	27
Mirrors . . . . .	13
Napkin/Tampon Vendors . . . . .	7
Partition Combo Units . . . . .	8-9
Partition Hardware & Signs . . . . .	26
Security Accessories . . . . .	36-37
Shelves & Custodial . . . . .	29
Shower Rods & Curtains . . . . .	32-33
Shower Seats . . . . .	24-25
Soap Dispensers . . . . .	12
Toilet Seat Cover Dispensers . . . . .	8-9
Towel Bars & Hospital Accessories . . . . .	35
Towel/Waste Units . . . . .	4-6
TP Holders . . . . .	10-11



**T**ubular Specialties Manufacturing is a family business that was founded in 1966. The company has built a reputation for reliability, quality, service and value. Also, true to its name, TSM prides itself on fabricating custom jobs with expertise and craftsmanship, whether it's modifying a grab bar, shower seat, corner guard or many other products to different dimensions other than shown on these pages, or designing brand-new concepts to accommodate particular job requirements.

TSM's manufacturing base is in Los Angeles and the company ships worldwide. Warehouses are in Los Angeles, Missouri, New Jersey and Washington. You are invited to join the thousands who have chosen TSM products for hospitals, hotels, airports and a wide range of commercial and residential projects.

### Guarantee

TSM guarantees its products against defects in workmanship and materials for one year from shipping date. Mirrors and dryers have additional warranties.

## Projects

*Over four decades of experience in manufacturing have resulted in installations throughout the world.*

*Here are just a few.*

Ak-Sar-Ben Racetrack . . . . .	Omaha, Nebraska
Oman Sheraton Hotel . . . . .	Muscat, Sultanate of Oman
Durham County Hospital . . . . .	North Carolina
Metro Rail Public Transportation . . . . .	Los Angeles, California
Levi Strauss Showroom . . . . .	New York City
Seattle Mariners Headquarters . . . . .	Seattle, Washington
Candlestick Park . . . . .	San Francisco, California
Embassy Suites Hotels . . . . .	Massachusetts; Colorado; many others
United Airlines Terminal . . . . .	Newark, New Jersey; Los Angeles; many others
Chapultepec Park Zoo . . . . .	Mexico City
Queen of New Orleans Riverboat . . . . .	New Orleans, Louisiana
Goodyear Tire & Rubber Company . . . . .	Beaumont, Texas
Metro Public Transportation . . . . .	Monterrey, Mexico

## Index

See Model Number Guide on pages 38-39.

<b>Anti-Slip Coating</b> . . . . .	.31	<b>Hand Dryers</b> . . . . .	.9
<b>Baby Changing Station</b> . . . . .	.35	<b>Handicap Decal</b> . . . . .	.26
<b>Bathtub Seat</b> . . . . .	.25	<b>Healthcare Products</b> . . . . .	.35
<b>Bed Pan Racks</b> . . . . .	.35	<b>Hooks</b> . . . . .	27, 28, 29, 37
<b>Bottle Opener</b> . . . . .	.29	<b>Hospital Accessories</b> . . . . .	.35
<b>Cabinetry</b> . . . . .	4-7	<b>Installation</b> . . . . .	17, 23
<b>Ceiling Track</b> . . . . .	.34	<b>Janitorial Accessories</b> . . . . .	.29
<b>Closet Rods</b> . . . . .	.34	<b>Kickplates</b> . . . . .	.31
<b>Clothesline</b> . . . . .	.29	<b>Lexan Corner Guards</b> . . . . .	.31
<b>Column Covers</b> . . . . .	.30	<b>Medicine Cabinets</b> . . . . .	.27
<b>Combination Seat Cover/Toilet Paper</b> . . . . .	8, 9	<b>Mirrors</b> . . . . .	13, 36
<b>Corner Guards</b> . . . . .	30, 31	<b>Napkin Vendors &amp; Disposals</b> . . . . .	7, 8
<b>Countertop Towel Dispensers/Disposals</b> . . . . .	.6	<b>Paper Cup Dispenser</b> . . . . .	.35
<b>Cubicle Track</b> . . . . .	.34	<b>Paper Towel Dispensers &amp; Disposals</b> . . . . .	4-7
<b>Cup Dispenser</b> . . . . .	.35	<b>Partition Hardware</b> . . . . .	.26
<b>Custodial Accessories</b> . . . . .	.29	<b>Partition-Mounted Combination Units</b> . . . . .	8, 9
<b>Decal</b> . . . . .	.26	<b>Restroom Signs</b> . . . . .	.26
<b>Diaper Changing Table</b> . . . . .	.35	<b>Retractable Clothesline</b> . . . . .	.29
<b>Door Bumper</b> . . . . .	.29	<b>Roll Towel Dispensers</b> . . . . .	5, 6, 7
<b>Door Frame Savers</b> . . . . .	.31	<b>Sanitary Napkin Vendors &amp; Disposals</b> . . . . .	7, 8
<b>Dryers</b> . . . . .	.9	<b>Security Accessories</b> . . . . .	.36, 37
<b>Facial Tissue Dispensers</b> . . . . .	.29	<b>Shelves</b> . . . . .	28, 29, 37
<b>Fasteners</b> . . . . .	.23	<b>Shower Curtains &amp; Hooks</b> . . . . .	.33
<b>Field-Safe Accessories</b> . . . . .	.28	<b>Shower Rods</b> . . . . .	.32, 33
<b>Grab Bars</b>		<b>Shower &amp; Tub Seats</b> . . . . .	.24, 25
Brass . . . . .	.17	<b>Signs</b> . . . . .	.26
Flanges . . . . .	.15	<b>Soap Dishes</b> . . . . .	27, 28, 36
Tubing . . . . .	.14	<b>Soap Dispensers</b> . . . . .	.12
Numbering System . . . . .	.14	<b>Specimen Pass-Through Cabinet</b> . . . . .	.35
Finishes . . . . .	3, 14, 16	<b>Tilt Mirrors</b> . . . . .	.13
Non-Slip Finishes . . . . .	14, 16, 17	<b>Toilet Paper Holders</b> . . . . .	8, 9, 10, 11, 28, 36
Care of Finishes . . . . .	16, 17	<b>Toilet Seat Cover Dispensers</b> . . . . .	8, 9
Toilet Bars . . . . .	18, 19	<b>Towel Bars &amp; Holders</b> . . . . .	28, 35
Bathtub Bars . . . . .	20, 21	<b>Towel Dispensers</b> . . . . .	4, 5, 6, 7
Custom . . . . .	.21	<b>Tubing</b> . . . . .	.14, 2
Shower and Specialty Bars . . . . .	.22	<b>Waste Receptacles</b> . . . . .	4, 5, 6, 7
Security Bars . . . . .	.37	<b>Zamac Accessories</b> . . . . .	.28

## Powdercoatings

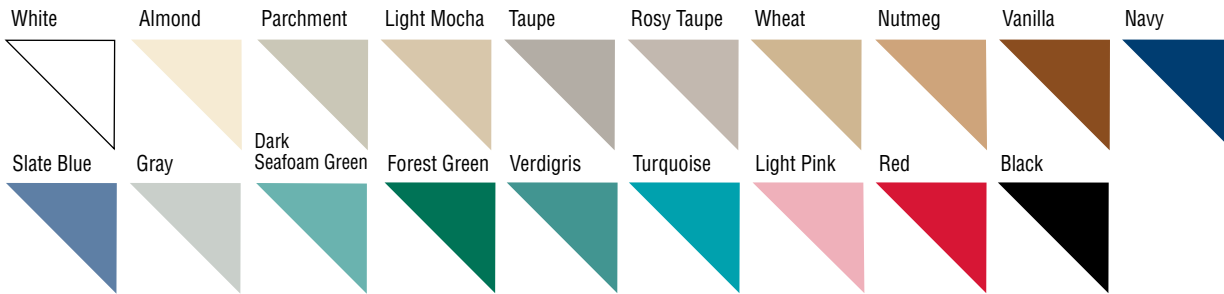
Add suffix /POWD to model number. Contact the factory for sample chips to see exact color.



Coordinated colors in Almond featuring Naugahyde® seat cushion material, Lexan corner guard, grab bar and vinyl shower curtain.

## Shower Seat Cushions

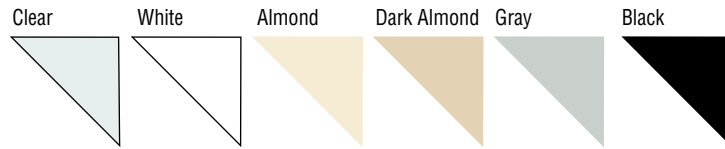
Add suffix /CC to model number.



## Phenolic Slats

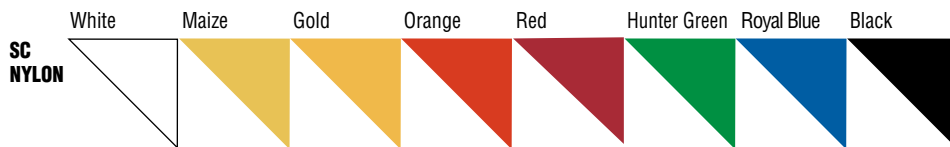
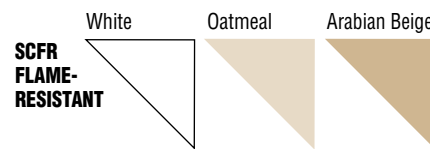
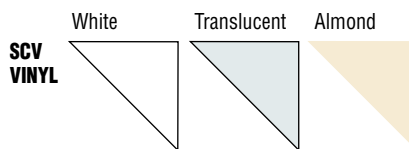
## Lexan Corner Guards

White is standard. Add suffix C to model number for colors other than white.



## Shower Curtains

White is standard. Add suffix C to model number for colors other than white.



## Plated Finishes

Add suffix /PLAT to model number.



# Towel Dispensers & Waste Receptacles

22 Gauge type 304 stainless steel satin finish unless otherwise noted.  
Doors have full length stainless steel piano hinges and tumbler locks.

## 5200-12

### Semi-Recessed Paper Towel Dispenser & Waste Receptacle, 4" Deep

Capacity: 600 C-fold or 800 multi-fold paper towels with removable receptacle that locks into cabinet. 12 gallon capacity.

**Wall Opening:** 15 3/4" x 54 1/2" x 4 1/4" (400 x 1384 x 108 mm)

**Suggested Mounting Height:**

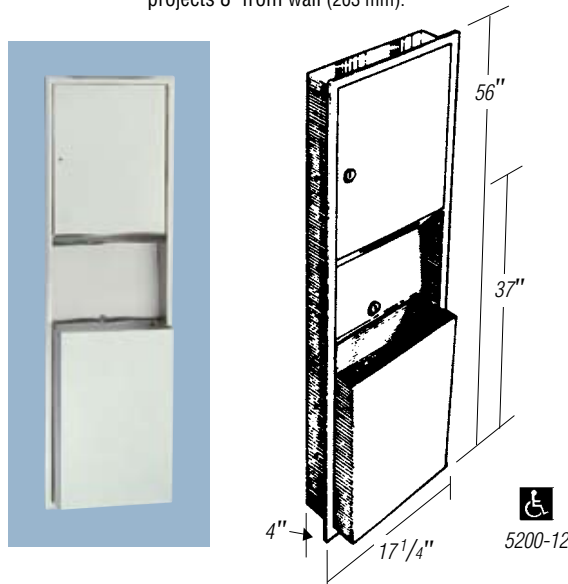
16" from bottom of unit to floor; barrier-free, 4" (406 & 102mm).

*Not Shown:*

**5200-12-S2** - Model 5200-12 with stainless steel collar for semi-recess in 2" wall (50 mm). 12 gallon.

**5200-12-S4** - Model 5200-12 with stainless steel collar for surface mounting. 12 gallon.

**5200-18** - Model 5200-12 with 18 gallon receptacle; projects 8" from wall (203 mm).



## 5200-D-12

### Recessed Paper Towel Dispenser & Waste Receptacle, 7" Deep

Capacity: 600 C-fold, 800 multi-fold or 1,100 single-fold paper towels with removable receptacle that locks into cabinet. 12 gallon capacity.

**Wall Opening:** 15 3/4" x 54 1/2" x 7 1/4" (400 x 1384 x 184 mm)

**Suggested Mounting Height:**

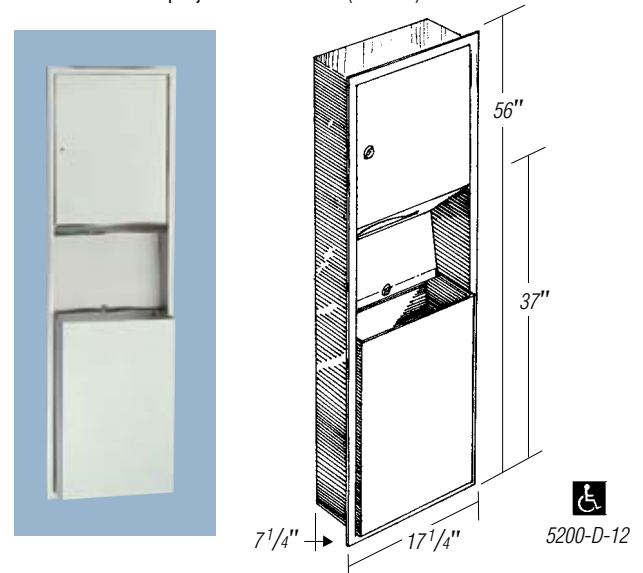
16" from bottom of unit to floor; barrier-free, 4" (406 & 102mm).

*Not Shown:*

**5200-D-12-S4** - Model 5200-D-12 with stainless steel collar for semi-recess in 4" wall (102 mm). 12 gallon.

**5200-D-12-S7** - Model 5200-D-12 with stainless steel collar for surface mounting. 12 gallon.

**5200-D-18** - Model 5200-D-12 with 18 gallon receptacle; projects 4" from wall (102 mm).



## 5220

### Recessed Paper Towel Dispenser and Waste Receptacle

Capacity: 350 C-fold or 475 multi-fold paper towels with removable 2 gallon waste receptacle (7.6 L).

**Wall Opening:**

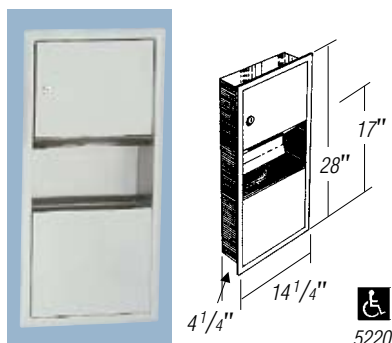
12 3/4" x 26 1/2" x 4 1/4" (324 x 673 x 108 mm)

**Suggested Mounting Height:**

36" from bottom of unit to floor; barrier-free, 24" (915 & 610 mm).

*Not Shown:*

**5220-S4** - Model 5220 with stainless steel collar for surface mounting.



## 5201

### Recessed Paper Towel Dispenser

Capacity: 600 C-fold or 800 multi-fold paper towels.

**Wall Opening:**

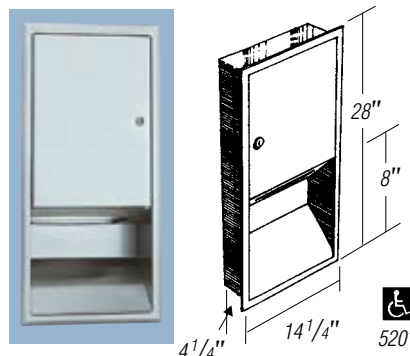
12 3/4" x 26 1/2" x 4 1/4" (324 x 673 x 108 mm)

**Suggested Mounting Height:**

48" from bottom of unit to floor; barrier-free, 32" (1220 & 810 mm).

*Not Shown:*

**5201-S4** - Model 5201 with stainless steel collar for surface mounting.



## 5201-C

### Recessed Paper Towel Dispenser

Capacity: 350 C-fold or 500 multi-fold paper towels. Petite model for low-traffic washrooms.

**Wall Opening:**

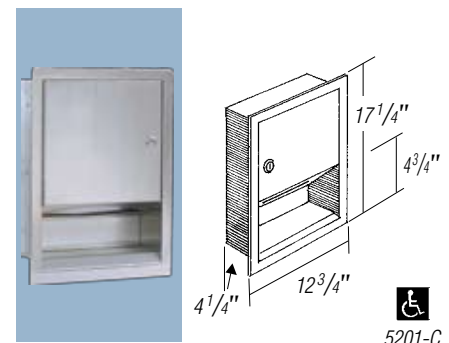
11 1/4" x 15 3/4" x 4 1/4" (290 x 400 x 108 mm)

**Suggested Mounting Height:**

48" from bottom of unit to floor; barrier-free, 35" (1220 & 890mm).

*Not Shown:*

**5201-C-S4** - Model 5201-C with stainless steel collar for surface mounting.



# Towel Dispensers & Waste Receptacles

22 Gauge type 304 stainless steel satin finish unless otherwise noted. Doors have full-length stainless steel piano hinges and tumbler locks.

TOWEL/WASTE UNITS

## 5210-H-15

### Recessed Roll Paper Towel Dispenser and Waste Receptacle

Dispenses rolls 8" or 9" wide (205-230 mm) 800 feet long in preset lengths: 2 1/2", 4" or 5" per stroke (65, 100 or 125 mm).

Removable waste receptacle is 15 gallons (57 L).

#### Wall Opening:

15 3/4" x 54 1/2" x 10 1/4" (400 x 1384 x 260 mm)

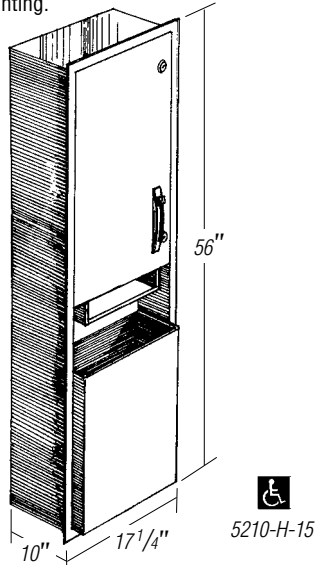
#### Suggested Mounting Height:

20" from bottom of unit to floor; barrier-free, 6" (510 & 150 mm).

*Not Shown:*

**5210-H-15-S6** - Model 5210-H-15 with stainless steel collar for semi-recessing in 4" (102 mm) walls.

**5210-H-15-S10** - Model 5210-H-15 with stainless steel collar for surface mounting.



## 5210-P-14

### Semi-Recessed Roll Paper Towel Dispenser and Waste Receptacle

Dispenses rolls 8" or 9" wide (205-230 mm) 800 feet long in preset lengths: 2 1/2", 4" or 5" per stroke (65, 100 or 125 mm).

Removable waste receptacle is 14 gallons (53 L).

#### Wall Opening:

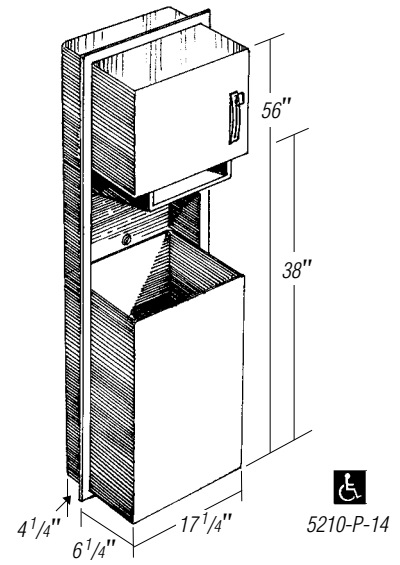
15 3/4" x 54 1/2" x 4 1/4" (400 x 1384 x 110 mm)

#### Suggested Mounting Height:

16" from bottom of unit to floor; barrier-free, barrier-free wheelchair accessible side reach, 4" (405 & 102 mm)

*Not Shown:*

**5210-P-14-S4** - Model 5210-P-14 with stainless steel collar for surface mounting.



## 5202-12

### Recessed Waste Receptacle

Removable 12 gallon (46 L) receptacle locks into cabinet. 4" Projection/4" Recess.

#### Wall Opening:

15 3/4" x 29" x 4 1/4" (400 x 740 x 108mm)

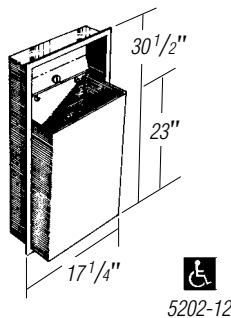
#### Suggested Mounting Height:

12" from bottom of unit to floor (305mm).

*Not Shown:*

**5202-D-12** - Model 5202-12 with 1/2" Projection and 7 1/2" Recess

**5202-12-S4** - Model 5202-12 with stainless steel collar for surface mounting.



## 5203

### Recessed Waste Receptacle

Self-closing panel covers receptacle opening.

Removable stainless steel waste container.

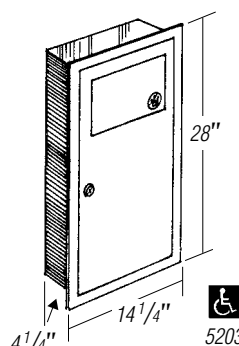
Capacity: 3 gallon (11.4 L).

#### Wall Opening:

12 3/4" x 26 1/2" x 4 1/4" (324 x 673 x 108 mm)

#### Suggested Mounting Height:

20" from bottom of unit to floor; barrier-free, 18" (510 & 460 mm).



## 5210-E

### Recessed Roll Paper Towel Dispenser

Dispenses rolls 8" or 9" wide (205-230 mm) 800 feet long in preset lengths: 2 1/2", 4" or 5" per stroke (65, 100 or 125 mm).

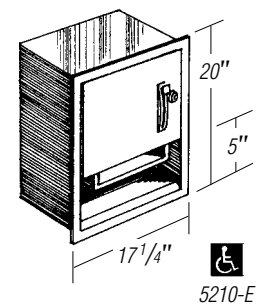
#### Wall Opening:

15 3/4" x 18 1/2" x 9 5/8" (400 x 470 x 245mm)

*Not Shown:*

**5210-E-S6** - Model 5210-E with stainless steel collar for semi-recessing in 4" walls (102 mm).

**5210-E-S9** - Model 5210-E with stainless steel collar for surface mounting.



# Towel Dispensers & Waste Receptacles

22 Gauge type 304 stainless steel satin finish unless otherwise noted.

## 5230 Surface-Mounted Paper Towel Dispenser

Capacity: 400 C-fold or 525 multi-fold towels.

**Overall Size:**  
11" x 14 1/2" x 4"  
(279 x 362 x 102 mm)



## 5230-SWH Surface-Mounted Paper Towel Dispenser, White Enamel Steel

Capacity: 400 C-fold or 525 multi-fold towels.

**Overall Size:**  
11" x 15 1/2" x 4"  
(279 x 394 x 102 mm)



## 5231 Surface-Mounted Roll Paper Towel Dispenser

Capacity: 8" or 9" wide roll, 800' long.

**Overall Size:**  
12 1/4" x 15" x 9 1/2"  
(311 x 381 x 241 mm)



## 5232 Paper Towel Dispenser

Dispenses 400 single-fold paper towels.

**Overall Size:**  
11 1/4" x 6 1/4" x 5 5/8"  
(285 x 160 x 145mm)



## 5233 Paper Towel Dispenser

Similar to 5230, but with reduced capacity for low traffic areas. Dispenses 200 C-fold or 275 multi-fold paper towels.

**Overall Size:**  
11" x 8" x 4"  
(280 x 205 x 102mm)



## Surface-Mounted Waste Receptacle

- 5240-2** - 2 gallon
  - 5240-7** - 7 gallon
  - 5240-12** - 12 gallon
  - 5240-21** - 21 gallon
- (7.6, 27, 45 & 79 liter)

Welded construction.



## 5240-C-13 Corner Waste Receptacle

Welded construction. Top and bottom edges hemmed for safety. 13 gallon (49 L) capacity.

**Overall Size:**  
15" x 23" x 14 1/2"  
(380 x 585 x 370mm)



## Free-Standing Open-Top Waste Receptacle

- 5240-L-14** - 14.3 Gallon (54 L)  
13" x 22" x 12 1/4"
- 5240-L-19** - 19.4 Gallon (73.4 L)  
13" x 30" x 12 1/4"

Same as 5240-T, but without top.



## Free-Standing Swing-Top Waste Receptacle

- 5240-T-14** - 14.3 Gallon (54 L)  
13" x 30 1/2" x 12 1/4"
- 5240-T-19** - 19.4 Gallon (73 L)  
13" x 38 1/2" x 12 1/4"

Top has self-closing doors. Vinyl wall bumpers top and bottom; rubber feet.



# Countertop Towel Dispensers & Waste Disposal Doors

## 5350 Countertop-Mounted Paper Towel Dispenser and Waste Receptacle

Towels loaded by pushing through hinged dispensing flaps. One package C-fold towel capacity. Includes loose waste receptacle to be placed on vanity floor directly below waste door.

**Counter Opening:**  
12 1/2" x 13 1/2" (320 x 340 mm)



## 5352 Countertop-Mounted Waste Receptacle

Push door is self-closing. Includes loose waste receptacle 12" x 12" x 12" (305mm) to be placed on vanity floor directly below waste door.

**Counter Opening:**  
12 1/2"W x 8 3/4"H (318 x 222mm)



## 5354 Countertop-Mounted Paper Towel Dispenser

Towels loaded by pushing through hinged dispensing flaps. One package C-fold towel capacity.

**Counter Opening:**  
12 1/4" x 4 1/4" (310 x 110 mm)



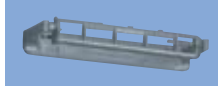
5265

**Roll Paper Towel Dispenser**

Heavy duty aluminum casting, satin finish. Molded plastic spindle has concealed locking device which prevents theft of paper towels and spindle. Accommodates standard perforated paper towel rolls up to 6" in diameter (152 mm). Limited rocking controls delivery.

**Overall Size:**

13" wide x 4 7/8" projection  
(330 x 124 mm)

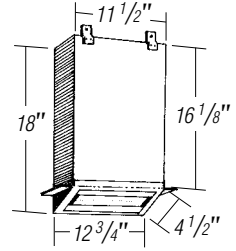


5330

**Recessed Towel Dispenser**

Dispenses 600 C-fold or 800 multi-fold paper towels. Towel dispenser is concealed behind mirror or wall; only towel tray is visible. Cabinet is provided with two push-up flaps for bottom filling of paper towels.

**Wall Opening:** 11 3/4" x 18 1/4" x 4 1/2"  
(300 x 465 x 115 mm)



*Napkin/Tampon Vendors & Disposals*

Type 304 stainless steel satin finish unless otherwise noted.

5100

**Surface-Mounted Napkin/Tampon Vendor**

Capacity: 30 napkins, 27 tampons. Coinage is 25¢.

**Overall Size:** 11 3/4" x 26 1/8" x 6 1/2" (298x663x165mm)

Not Shown:

5110

**Recess-Mounted**

Similar to 5100 but recessed mounted.

**Wall Opening:** 12 1/2" x 26 5/8" x Depth from 1" to 6"  
(317 x 676 x 25-152mm).



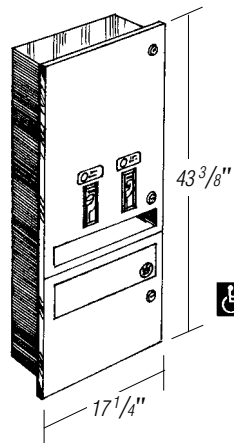
5115

**Recess-Mounted Sanitary Napkin/Tampon Vendor & Disposal**

Designed for one-toilet washrooms; dispenses 15 napkins and 23 tampons. Unit has two dispensing mechanisms; removable disposal which can be emptied without opening dispenser unit. Self-closing door. Coinage is 25¢.

**Wall Opening:** 16" x 42" x 4 1/4" (406 x 1070 x 110 mm)

**Suggested Mounting Height:** 24" from bottom of unit to floor; barrier-free, 17" (610 & 430 mm)



5134

**Surface-Mounted Napkin Disposal**

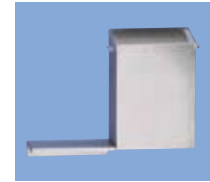
7 1/2" x 10" x 3 7/8"  
(191 x 254 x 98 mm)



5135

**Surface-Mounted Napkin Disposal with Shelf**

5134 with 8" long shelf (203 mm).



5140

**Surface-Mounted Napkin Disposal**

Similar to 5142, but surface mounted.

**Overall Size:**

11" x 15 1/4" x 4" (279 x 387 x 102 mm)

**Suggested Mounting Height:**

16" from bottom of unit to floor (406 mm)

Not Shown:

5140-L

Similar to 5140 but has tumbler lock.



5142

**Recess-Mounted Napkin Disposal**

Similar to 5152, but recessed for side wall installation.

**Wall Opening:**

11 1/4" x 15 3/4" x 4 1/4" (285 x 400 x 108 mm)

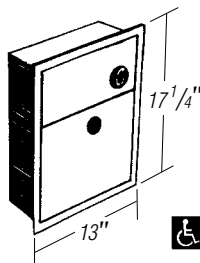
**Suggested Mounting Height:**

16" from bottom of unit to floor (406 mm)

Not Shown:

5142-L

Similar to 5142 but has tumbler lock.



5152

**Partition-Mounted Napkin Disposal, Dual Access**

Serves two compartments. Receptacle removable from one side for servicing and locks to back of cabinet with stainless steel clips. Self-closing doors on each side.

**Partition Opening:** 11 3/8" x 15 5/8" (290 x 400 mm)

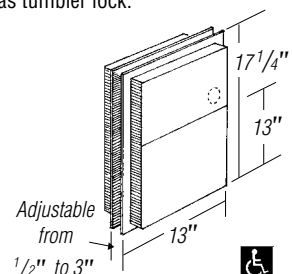
**Suggested Mounting Height:**

16" from bottom of unit to floor (406 mm)

Not Shown:

5152-L

Similar to 5152 but has tumbler lock.



# Partition-Mounted Combination Units

**C**ombination toilet paper and seat cover dispensers with sanitary disposals meet barrier-free accessibility guidelines. The toilet dispensers accommodate 5 1/4" (135 mm) diameter, 1800 sheet rolls with theft-resistant spindles included. Partition-mounted units serving two compartments have adjustable flanges accommodating partitions from 1/2" to 3 3/4" thick.

## 5360 Seat Cover & TP Dispenser

For end wall installation. Dispenses two rolls of toilet paper and 1,000 paper toilet seat covers.

**Wall Opening:** 16" x 29 1/4" x 4 1/4" (405 x 745 x 110mm)

**Suggested Mounting Height:** 30" from bottom of unit to floor; Barrier-Free, 15" (760 & 380mm)

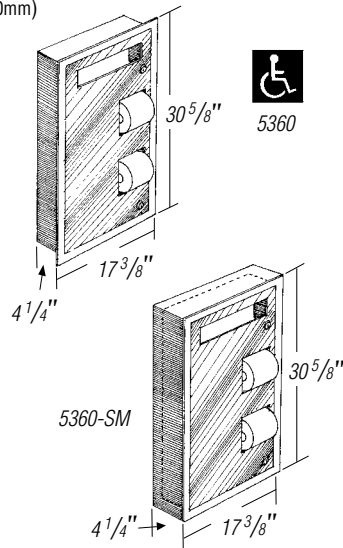
Also Available:

### 5360-SM Surface Mounted

Similar to 5360, but with stainless steel collar for surface mounting.

**Suggested Mounting Height:**

30" from bottom of unit to floor (760mm)



## 5362 Seat Cover & TP Dispenser, Dual Access

Mounts centered through partition. Dispenses four rolls of toilet paper and 1,000 paper toilet seat covers.

**Partition Opening:** 15 1/2" x 28 7/8" (395 x 735mm)

**Suggested Mounting Height:** 30" from bottom of unit to floor (760mm)

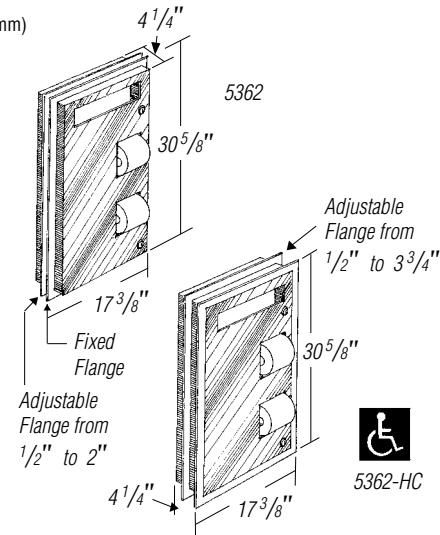
Also Available:

### 5362-HC Dual-Access HC

Similar to 5362, but one side mounts flush to partition of barrier-free side to allow for grab bar. Both sides are usable but serviced from one side.

**Suggested Mounting Height:**

15" from bottom of unit to floor (380mm)



## 5364 Seat Cover & TP Dispenser with Sanitary Disposal

For end wall installation. Dispenses two rolls of toilet paper and 1,000 paper toilet seat covers.

**Rough Wall Opening:** 16" x 29 1/4" x 4 1/4" (405 x 745 x 110mm)

**Suggested Mounting Height:** 30" from bottom of unit to floor; Barrier-Free, 15" (760 & 380mm)

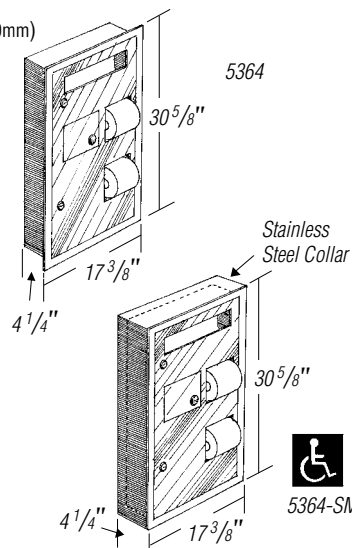
Also Available:

### 5364-SM Surface Mounted

Similar to 5364, but with stainless steel collar for surface mounting.

**Suggested Mounting Height:**

30" from bottom of unit to floor (760mm)



## 5366 Seat Cover & TP Dispenser with Sanitary Disposal, Dual Access

Mounts through partition. Both sides are usable but serviced from one side. Dispenses four rolls of toilet paper and 1,000 paper toilet seat covers.

**Partition Opening:** 15 1/2" x 28 7/8" (395 x 735mm)

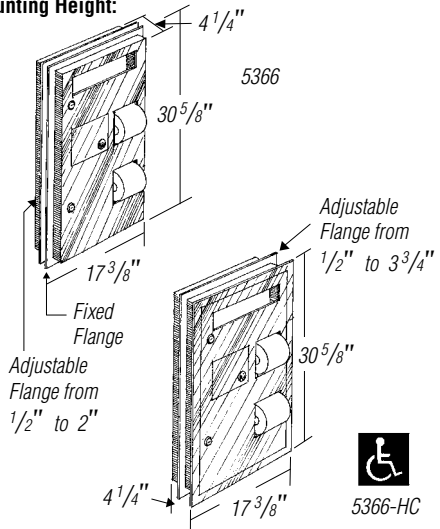
**Suggested Mounting Height:** 30" from bottom of unit to floor (760mm)

Also Available:

### 5366-HC Dual-Access HC

Similar to 5366, but one side mounts flush to partition of barrier-free side to allow for grab bar. **Suggested Mounting Height:**

15" from bottom of unit to floor





# Partition-Mounted Combination Units

## 5367 TP Dispenser & Napkin Disposal

For end-wall installation.  
Dispenses two rolls of toilet paper.

**Wall Opening:** 16" x 18<sup>5</sup>/<sub>8</sub>" x 4<sup>1</sup>/<sub>4</sub>" (405 x 475 x 110 mm)  
**Suggested Mounting Height:** 30" from bottom of unit to floor;  
Barrier-Free, 15" (760 & 380 mm)

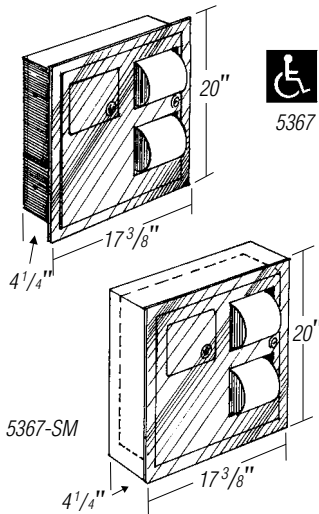
Also Available:

### 5367-SM

#### Surface Mounted

Similar to 5367, but with stainless steel collar for surface mounting.

**Suggested Mounting Height:**  
30" from bottom of unit to floor (760mm)



## 5369 TP Dispenser & Napkin Disposal, Dual Access

Mounts centered through partition usable by both sides but serviced from one side. Dispenses four rolls of toilet paper.

**Partition Opening:** 15<sup>1</sup>/<sub>2</sub>" x 18<sup>1</sup>/<sub>4</sub>" (395 x 465 mm)  
**Suggested Mounting Height:** 25<sup>1</sup>/<sub>2</sub>" from bottom of unit to floor (650 mm)

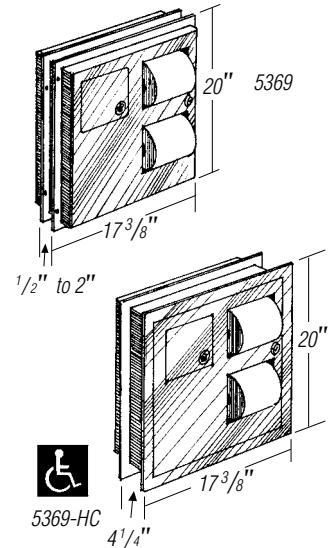
Also Available:

### 5369-HC

#### Dual-Access HC

Similar to 5369, but one side mounts flush to partition of barrier-free side to allow for grab bar. Both sides are usable but serviced from one side.

**Suggested Mounting Height:**  
15" from bottom of unit to floor (380mm)



# Toilet Seat Cover Dispensers

## 5310 Stainless Steel Toilet Seat Cover Dispenser

Surface-mounted with capacity of 250 single or half-fold covers. Type 304 stainless steel; 22 gauge satin finish.

**Overall Size:**  
15<sup>3</sup>/<sub>4</sub>" x 11" x 1<sup>7</sup>/<sub>8</sub>" (400 x 279 x 48mm)



## 5310-SCR Chrome-Plated Steel Toilet Seat Cover Dispenser

Surface-mounted with capacity of 250 single or half-fold covers.

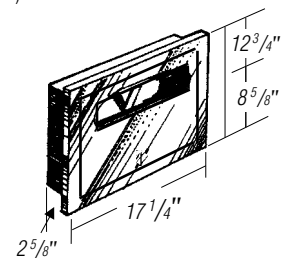
**Overall Size:** 16<sup>3</sup>/<sub>8</sub>" x 11<sup>1</sup>/<sub>2</sub>" x 2<sup>1</sup>/<sub>8</sub>"  
(416 x 292 x 54mm)



## 5315 Stainless Steel Recessed Toilet Seat Cover Dispenser

Similar to 5310 but larger capacity and recess-mounted. Capacity 500 single or half-fold paper seat covers.

**Wall Opening:** 15<sup>3</sup>/<sub>4</sub>" x 11" x 1<sup>7</sup>/<sub>8</sub>" (400 x 279 x 48mm)  
**Suggested Mounting Height:** 48" from bottom of unit to floor;  
barrier-free, 32" (1220 x 815 mm)



# Dryers

## 5915 Push-Button Hand Dryer

Surface-mounted dryer has maintenance-free brushless motor and a 10-year warranty. Air nozzle revolves 360°, providing easy hand and face drying. Die cast zinc alloy cover is white epoxy. Operates for 30 seconds. 110-120V.

**Overall Size:** 10<sup>3</sup>/<sub>4</sub>" x 8" x 7" (273 x 203 x 178 mm)



## 5950 Sensor Hand Dryer

Fully automatic dryer activates by an infrared sensor when hands are placed under the air outlet. Dryer operates as long as hands are under the nozzle up to 90 seconds. Surface-mounted dryer has maintenance-free brushless motor and a limited 10-year warranty on the dryer with a two-year warranty on the control assembly and sensor. Die cast zinc alloy cover is white epoxy. 110-120V.

**Overall Size:** 12" x 9<sup>3</sup>/<sub>4</sub>" x 8" (305 x 248 x 203 mm)

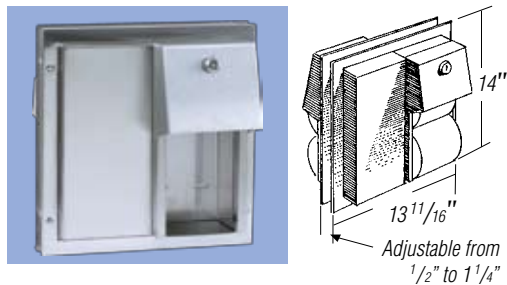


# Toilet Paper Holders

## 351 Dual-Access Partition-Mounted Dual Roll TP Dispenser

Stainless steel type 304 cabinet and mechanism. Serves two toilet compartments. Dispenses four toilet paper rolls up to 5 1/4" diameter (135mm). Top roll drops in place when bottom roll is used up. Tumbler lock, theft resistant spindles. Adjustable to accommodate partitions from 1/2" to 1 1/4" (13 to 32 mm).

**Partition Opening:** 11 7/8" x 12 1/4" (300 x 310 mm)



## 310 Surface-Mounted 2-Roll TP Dispenser

Stainless steel type 304 cabinet and mechanism. Dispenses two toilet paper rolls up to 5 1/4" diameter (135mm). Top roll drops in place when bottom roll is used up. Tumbler lock, theft resistant spindles.

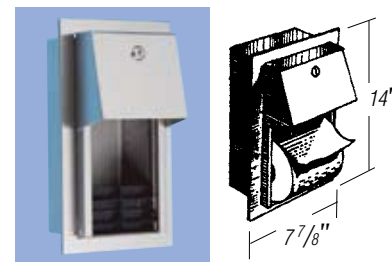
**Overall Size:** 6" x 12" x 6 1/2" (152x300x165 mm)



## 320 Recess-Mounted 2-Roll TP Dispenser

Model 310 with stainless steel flange for recess mounting.

**Rough Wall Opening:** 6 1/4" x 12 1/4" x 3 3/8" (160 x 310 x 85 mm)



## 314 Surface-Mounted Twin 9" Jumbo Roll TP Dispenser

Type 304 stainless steel 18 gauge satin finish. Holds two 9" diameter rolls of 2 1/4" or 3" diameter core (57 or 76 mm). Panel slides to expose extra roll when needed; two viewing slots show rolls inside. Tumbler lock.

**Overall Size:** 20 9/16" x 11 3/8" x 6 3/16" (530 x 290 x 160 mm)



## 314-AR Surface Mounted Jumbo Roll Toilet Tissue Dispenser

Outer cabinet is satin finish type 304 stainless steel. Holds one roll up to 10" diameter (254mm) of 1 5/8" or 2 5/4" diameter core (41 or 57 mm). Tumbler lock and view slot.

**Overall Size:** 10 5/8" x 4 1/2" (270 x 115 mm)



## 360 Surface-Mounted Folded Toilet Tissue Cabinet

Stainless steel satin finish type 304 22 gauge. Holds 1,300 single or double fold toilet tissues. Tumbler lock and view slot.

**Overall Size:** 4 3/4" x 8 1/4" x 3" (120 x 210 x 76 mm)



## Aluminum TP Dispenser

### 370 - Single Holder

### 371 - Double Holder

Satin finished cast aluminum with ABS spindle. Controlled delivery rocking action restricts flow. Holds toilet paper roll(s) up to 6" diameter (150 mm). Theft-resistant spring lock detachable by concealed release pin.

**370, 370-NC:** 6 9/16" x 1 3/4" x 4 3/4"

**371, 371-NC:** 13" x 1 3/4" x 4 3/4"

### 370-NC, 371-NC

Without controlled delivery.

### 371-NCL

With tumbler lock to secure spindles; vandal-resistant.



## Vandal-Resistant Hood

### 370-Hood - Single Size

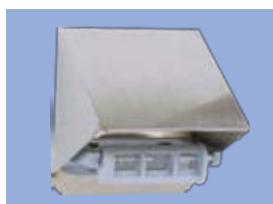
### 371-Hood - Double Size

Satin finish 14 gauge (2.1 mm) stainless steel hood for use only with 370 and 371 (toilet paper dispensers specified and purchased separately).

### Overall Size:

**370-Hood:** 7 3/4"H x 7 1/4"W x 6 1/2"D (197 x 184 x 175 mm)

**371-Hood:** 7 3/4"H x 14 1/8"W x 6 1/2"D (197 x 359 x 175 mm)



## Chrome-Plated Steel TP Dispenser

### 372 - Single Holder

### 373 - Double Holder

Chrome-plated steel. Spring prevents free spinning of paper. Holds standard or 1800 sheet toilet paper roll(s).

### Overall Size:

**372:** 6" x 2 3/4" x 4 1/4" (152 x 70 x 198 mm)

**373:** 12 3/8" x 2 3/4" x 4 1/4" (314 x 70 x 198 mm)



# Toilet Paper Holders

Type 304 satin finish stainless steel unless otherwise noted.

## Recessed Stainless Steel Single TP Holder

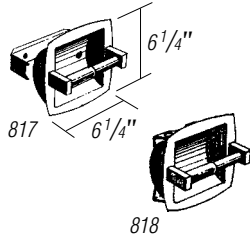
- 817S - Dry Wall** - Satin Finish
- 817B - Dry Wall** - Bright Finish
- 818S - Wet Wall** - Satin Finish
- 818B - Wet Wall** - Bright Finish

Type 304 stainless steel shell and flange of drawn, one-piece seamless construction. Spring-loaded chrome roller.

**Wall Opening:**  $5\frac{1}{2}'' \times 5\frac{1}{2}'' \times 2''$  (140 x 51 mm)

Not Shown:

- 831S** - Same as 817-S, but with surface mtg
- 831B** - Same as 817-B, but with surface mtg



## Recessed Stainless Steel Double TP Holders

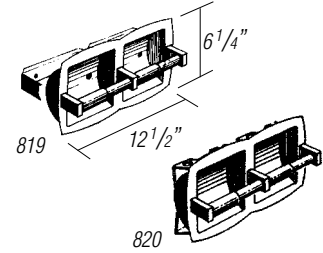
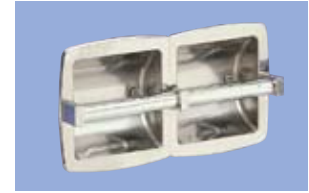
- 819S - Dry Wall** - Satin Finish
- 819B - Dry Wall** - Bright Finish
- 820S - Wet Wall** - Satin Finish
- 820B - Wet Wall** - Bright Finish

Type 304 stainless steel shell and flange of drawn, one-piece seamless construction. Spring-loaded chrome rollers.

**Wall Opening:**  $11\frac{3}{4}'' \times 5\frac{1}{4}'' \times 2''$

Not Shown:

- 832S** - Same as 819-S, but with surface mtg
- 832B** - Same as 819-B, but with surface mtg



## Recessed Stainless Steel Single TP Holder w/ Hood

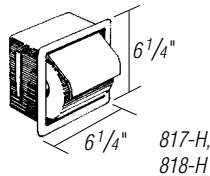
- 817-HS - Dry Wall** - Satin Finish
- 817-HB - Dry Wall** - Bright Finish
- 818-HS - Wet Wall** - Satin Finish
- 818-HB - Wet Wall** - Bright Finish

Type 304 stainless steel shell and flange of drawn, one-piece seamless construction. Spring-loaded chrome roller.

**Wall Opening:**  $5\frac{1}{2}'' \times 5\frac{1}{2}'' \times 2''$  (140 x 51 mm)

Not Shown:

- 831-HS** - Same as 817-HS, but with surface mtg
- 831-HB** - Same as 817-HB, but with surface mtg



## Recessed Stainless Steel Double TP Holder w/ Hood

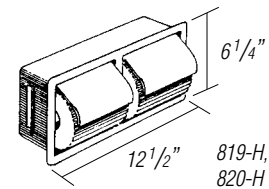
- 819-HS - Dry Wall** - Satin Finish
- 819-HB - Dry Wall** - Bright Finish
- 820-HS - Wet Wall** - Satin Finish
- 820-HB - Wet Wall** - Bright Finish

Type 304 stainless steel shell and flange of drawn, one-piece seamless construction. Spring-loaded chrome rollers.

**Wall Opening:**  $11\frac{3}{4}'' \times 5\frac{1}{4}'' \times 2''$

Not Shown:

- 832-HS** - Same as 819-HS, but with surface mtg
- 832-HB** - Same as 819-HB, but with surface mtg



## Recessed Stainless Steel Single TP Holder with Extra Roll Storage

- 830-S** - Satin Finish
- 830-B** - Bright Finish

Face flange is type 304 stainless steel. Spring-loaded white poly roller. Holds rolls up to  $5\frac{1}{8}''$  (130 mm) diameter (1500 sheets). Tissue is flush with wall.

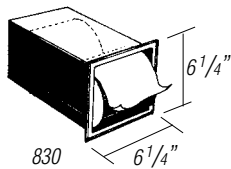
**Wall Opening:**  $5\frac{1}{2}'' \times 5\frac{1}{2}'' \times 8\frac{1}{2}''$  (140 x 100 x 216 mm)

Not Shown:

Same as 830, but with shallow recess.

**Wall Opening:**  $5\frac{1}{2}'' \times 5\frac{1}{2}'' \times 4''$  (140 x 140 x 102 mm)

- 830-CS** - Satin Finish
- 830-CB** - Bright Finish



## Zamac Accessories

For complete Zamac line, please see page 28.



## Single Roll TP Holder

- 801S** - Satin Finish, White Poly Roller
- 801B** - Bright Finish, White Poly Roller

Options:

- 801S-CR** - Satin Finish, Chrome Plated Poly Roller
- 801S-TR** - Satin Finish, Tamper-Resistant Roller
- 801B-CR** - Bright Finish, Chrome Plated Poly Roller
- 801B-TR** - Bright Finish, Tamper-Resistant Roller



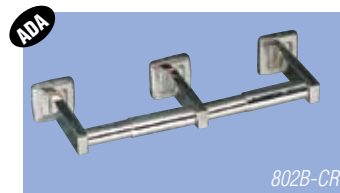
801B-CR

## Double Roll TP Holder

- 802S** - Satin Finish, White Poly Roller
- 802B** - Bright Finish, White Poly Roller

Options:

- 802S-CR** - Satin Finish, Chrome Plated Poly Roller
- 802S-TR** - Satin Finish, Tamper-Resistant Roller
- 802B-CR** - Bright Finish, Chrome Plated Poly Roller
- 802B-TR** - Bright Finish, Tamper-Resistant Roller

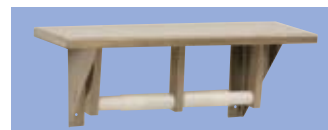


802B-CR

## S5-18-AA Shelf and Double TP Holder

Satin finish type 304 stainless steel 18 gauge with seamless corners and burr-free edges. White poly rollers.

**Overall Size:** 18" x 5" (460 x 130 mm)



## Roller TM Theft-Resistant Spindle

Molded plastic spindle has concealed locking feature. Add -TM to model number, or order RollerTM as a replacement part.



# Soap Dispensers

## Countertop Soap Dispenser

**SD-9** - 34 oz. (1.0L) x 4" Spout (102mm)

**SD-9L** - 34 oz. (1.0L) x 6" Spout (152mm)

**SD-9S** - 20 oz. (.6L) x 4" Spout

**SD-9SL** - 20 oz. (.6L) x 6" Spout

Corrosion-resistant valve dispenses viscous lotion soaps and synthetic detergents. Fills from top for ease of maintenance. Free-turning spout is vandal resistant. Spout and stem are bright finish stainless steel. Escutcheon is chrome-plated brass. Adjustable threaded shank allows for installation in countertops up to 3 1/2" thick through 7/8" diameter hole (90 - 22mm).



## SD-17 Foot Operated Surgical Soap Dispenser

Dispenses surgical soaps, antiseptic solutions and synthetic detergents. Pneumatically operated pumping mechanism. Container 32 oz. (.9L) chemically resistant polyethylene. Rotable spout is type 316 stainless steel. Vinyl tubing 96" long (245mm) attaches to anti-slip foot pump.

**Overall Size:** 4 1/2" x 11 1/2" x 9" (115 x 290 x 230mm).

**Foot Pump:** 2 1/2" x 5 3/4" (65 x 145mm)



## SD-50 Surface-Mounted Shelf and Soap Dispenser

All-purpose valve. Stainless steel satin finish 20 gauge. Concealed locking device secures unit to wall. Unbreakable refill window. 80 oz. (2.4L).

**Overall Size:** 20" x 2 1/2" x 4 5/8" (510 x 65 x 120mm)



## SD-5 Vertical Tank Soap Dispenser

Dispenses all-purpose liquid soap. 40 oz. capacity (1.2 liter) with satin finish type 304 stainless steel tank.



## SD-19 Horizontal Tank Soap Dispenser

Same as SD-5, but horizontal.

**Overall Size:** 4 3/4" x 8 1/8" x 5 1/4" (120 x 205 x 135mm)



## SD-2 Surgical Soap Dispenser

Dispenses antiseptic solutions and synthetic detergent soaps. Chrome-plated brass bracket; internal valve parts stainless steel and plastic. 16 oz. (0.5L) White poly globe.

**Overall Height:** 6 1/2" (165mm)  
**Valve Projection:** 5 1/8"



## SD-2A Surface-Mounted Liquid Soap Dispenser

Stainless steel tapered housing with bright polished finish and removable plastic globe, specially keyed chained filler cap, concealed mounting. Dispenses viscous lotion soaps and synthetic detergents. 12 oz. (0.4L).

**Overall Size:** 3 3/16" x 6" x 6 3/16" (80 x 150 x 160mm)



## SD-25A Powder Soap Dispenser

Dispenses free-flowing powder soap. Stainless steel satin finish. Vandal-resistant hinged top and wall bracket. 32 oz. (0.9L).

**Overall Size:** 4 3/8" x 7 1/4" x 4 9/16" (110 x 185 x 115 mm)



## SD-33 Recessed Horizontal Liquid Soap Dispenser

All-purpose soap valve. Vessel pulls out for easy filling and cleaning. Satin finish stainless steel with unbreakable refill window. 52 oz. (1.5L).

**Wall Opening:** 9" x 4 7/8" x 4 1/4" (230 x 125 x 110mm).



## Push-Up Soap Dispenser

**SD-35** - 16 oz. (0.5L)  
7" high (180mm)

**SD-35L** - 18 oz. (0.6L)  
8 1/2" high (180mm)

Dispenses soap, detergents and thin lotions. White polyethylene globe; bracket and valve assembly chrome plated ABS; piston chrome plated brass.



## Push-Up Soap Dispenser

**SD-37** - 24 oz. (0.7L)  
7 5/8" high (194mm)

**SD-37L** - 34 oz. (1.0L)  
10" high (254mm)

Dispenses soap, detergents and thin lotions. Translucent polyethylene container; bracket and valve assembly chrome plated ABS; stainless steel spring.



## Retrofit Soap Valve

**SD-VT** - Fits SD-33. Chrome plated brass housing.



**SD-VT-SQ** - Fits SD-5, SD-19 & SD-50. Plastic body and button.



Internal parts ABS plastic and stainless steel. Non-corrosive to soaps, lotions and detergents.

Standard Plate Glass is 1/4" thick with electrolytic copper back and is guaranteed for 10 years against silver spoilage; all other parts have a one-year guarantee. Optional reflective surfaces can be specified by adding the following suffixes to model number: Stainless Steel, -6; Tempered Glass, -7; Laminated Glass, -8; Plexiglass, -9.

### Angle Frame Mirror

- M-01** - Satin Finish
- M-1** - Bright Finish

Snap-on mirror mounting system offers quick and easy installation. Welded corners. Type 304 stainless steel frame with 1/4" thick (6.4mm) float glass mirror. Can also be mounted sideways.



#### Model Numbers

W	H
M-1 @ 12" x 18"	
M-1 @ 16" x 20"	
M-1 @ 16" x 22"	
M-1 @ 16" x 24"	
M-1 @ 16" x 30"	
M-1 @ 18" x 24"	
M-1 @ 18" x 30"	
M-1 @ 18" x 36"	
M-1 @ 20" x 60"	
M-1 @ 24" x 24"	
M-1 @ 24" x 30"	
M-1 @ 24" x 36"	
M-1 @ 24" x 48"	
M-1 @ 24" x 60"	
M-1 @ 24" x 72"	
M-1 @ 30" x 48"	

Standard sizes shown above, but TSM can make any size; mirrors over 72" x 60" are made in two sections.

### Channel Frame Mirror

- M-21** - Bright Finish
- M-021** - Satin Finish

Easy, theft-resistant mirror mounting system. Mitered corners. Type 430 stainless steel frame with 1/4" thick (6.4mm) float glass mirror.



#### Model Numbers

W	H
M-21 @ 12" x 18"	
M-21 @ 16" x 20"	
M-21 @ 16" x 22"	
M-21 @ 16" x 24"	
M-21 @ 16" x 30"	
M-21 @ 18" x 24"	
M-21 @ 18" x 30"	
M-21 @ 18" x 36"	
M-21 @ 20" x 60"	
M-21 @ 24" x 24"	
M-21 @ 24" x 30"	
M-21 @ 24" x 36"	
M-21 @ 24" x 48"	
M-21 @ 24" x 60"	
M-21 @ 24" x 72"	
M-21 @ 30" x 48"	

Standard sizes shown above, but TSM can make any size; mirrors over 72" x 60" are made in two sections.

### Angle Frame Mirror with Shelf

- M-08** - Satin Finish
- M-8** - Bright Finish

Same as M-1/M-01 with MS/MOS 5" (127mm) deep shelf. Shelf installs with snap frame to form a theft-proof integral unit.



#### Model Numbers

W	H
M-8 @ 16" x 20"	
M-8 @ 16" x 22"	
M-8 @ 16" x 24"	
M-8 @ 16" x 30"	
M-8 @ 18" x 24"	
M-8 @ 18" x 30"	
M-8 @ 18" x 36"	
M-8 @ 24" x 24"	
M-8 @ 24" x 30"	
M-8 @ 24" x 36"	

*Other sizes available upon request for all mirror designs.*

### Channel Frame Mirror with Shelf

- M-28** - Bright Finish
- M-028** - Satin Finish

Same as M-21/M-021 with MS/MOS 5" (127mm) deep shelf.



#### Model Numbers

W	H
M-28 @ 16" x 20"	
M-28 @ 16" x 22"	
M-28 @ 16" x 24"	
M-28 @ 16" x 30"	
M-28 @ 18" x 24"	
M-28 @ 18" x 30"	
M-28 @ 18" x 36"	
M-28 @ 24" x 24"	
M-28 @ 24" x 30"	
M-28 @ 24" x 36"	

### Vari-Tilt Mirror

- M-03** - Satin Finish
- M-3** - Bright Finish

Combines an angle frame mirror with variable hinge mounting. Provides visibility for wheelchair users when tilted forward.



#### Model Numbers

W	H
M-3 @ 16" x 24"	
M-3 @ 16" x 30"	
M-3 @ 18" x 24"	
M-3 @ 18" x 30"	
M-3 @ 18" x 36"	
M-3 @ 24" x 30"	
M-3 @ 24" x 36"	

### Perma-Tilt Mirror

- M-04** - Satin Finish
- M-4** - Bright Finish

Same as Vari-Tilt except has permanent taper from 4" at top to 1" at bottom (102-25mm).



#### Model Numbers

W	H
M-4 @ 16" x 24"	
M-4 @ 16" x 30"	
M-4 @ 18" x 24"	
M-4 @ 18" x 30"	
M-4 @ 18" x 36"	
M-4 @ 24" x 30"	
M-4 @ 24" x 36"	

### M-7 Stainless Steel Mirror

Frameless mirror is recommended for areas with high potential for vandalism. 18 gauge Type 430 stainless steel with bright annealed finish. One-way screws available from manufacturer; order separately.



Note: Stainless steel mirrors reflect images differently than glass; there is a slight distortion which increases as the mirror size increases.

#### Model Numbers

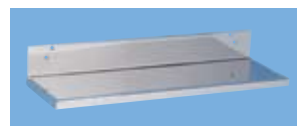
W	H
M-7 @ 16" x 20"	
M-7 @ 16" x 24"	
M-7 @ 18" x 24"	
M-7 @ 18" x 30"	
M-7 @ 18" x 36"	
M-7 @ 24" x 30"	
M-7 @ 24" x 36"	

## Mirror Shelves

Shelves are 18 gauge type 304 stainless steel with 5" depth (1.2 x 127mm). Specify width of shelf (same as width of mirror). S Series Shelves on page 29 can also be used with Angle and Channel Frame Mirrors.

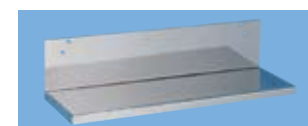
### Mirror Shelves Flush with Mirror Edge

- MOS** - Satin Finish Available with angle and
- MS** - Bright Finish channel frame mirrors.



### Mirror Shelves with 1 1/2" Backsplash

- MOSB** - Satin Finish Available with angle
- MSB** - Bright Finish frame mirrors.



**TSM's** numbering system is straightforward and easy to comprehend. Each part of the model number describes either the configuration or a feature of the bar. In most cases, the model number corresponds to the dimensions of the bar. For instance, in the example below the model 1632 measures 16" horizontal x 32" vertical centerline. A modification of the bar at 17" horizontal x 21" vertical would be model 1632M @ 17" x 21".

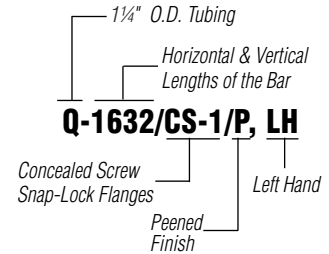
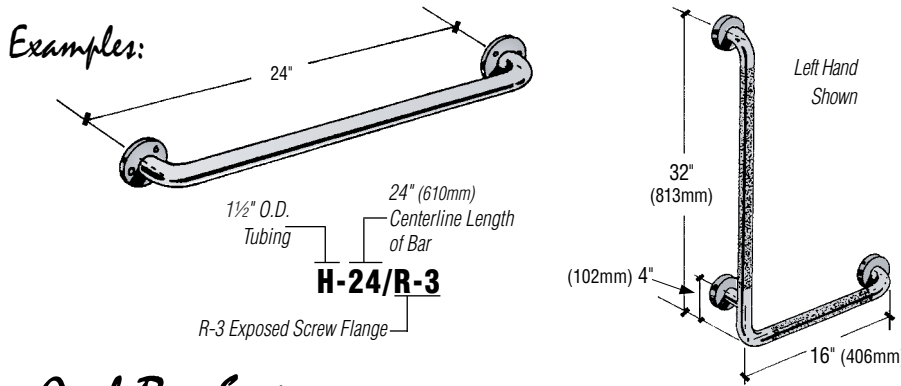
## The Numbering System...

<b>MODEL NUMBER</b>	=	<b>Tubing Outside Diameter</b>	—	<b>Configuration (or length of bar)</b>	/	<b>Flange</b>	/	<b>Finish, Handing</b>
		S = 1" (25mm) Q = 1¼" (32mm) H = 1½" (38mm)		See Pages 18-22		See Page 15		See Below

**S** stands for 'standard' and represents 1" tubing, for when TSM first began, 1" O.D. was the most commonly ordered size. It is still the tubing of choice for children (and some adults prefer the small grip as well.) However, 1" tubing does not meet any building codes. 18 gauge is standard; 16 gauge is available upon request.

**Q** stands for 'quarter' and represents 1¼" O.D. tubing. Q is the economical choice for building projects that do not require 1½" O.D. It is perhaps the easiest tubing size for adults to grasp. 18 gauge is standard; 16 and 12 gauge are available upon request.

**H** stands for 'half' and represents 1½" O.D. tubing. H is a heavy-duty size tubing that serves the dual purpose of providing either a handhold or, if preferred, a 'shelf' to lean upon. H meets or exceeds all U.S. building codes. 18 gauge is standard; 16 and 12 gauge are available upon request.



Right or left handing is determined from the viewpoint of the grab bar user. For shower and tub entry bars, the vertical arms are handed from the point of entry, not exit.

## Grab Bar Series All Type 304 Stainless Steel

	Finish	S	Q	H
Satin	Satin	S/CS-1	Q/CS-1	H/CS-1
	Peened	S/CS-1/P	Q/CS-1/P	H/CS-1/P
	Knurled	S/CS-1/K	Q/CS-1/K	H/CS-1/K
	Anti-Slip	S/CS-1/ASLP	Q/CS-1/ASLP	H/CS-1/ASLP
	Ripple Grip™	N/A	Q/CS-1/RG	H/CS-1/RG
Bright	Bright	S/CS-1/B	Q/CS-1/B	H/CS-1/B
	Bright & Peened	S/CS-1/B/P	Q/CS-1/B/P	H/CS-1/B/P
	Bright & Knurled	S/CS-1/B/K	Q/CS-1/B/K	H/CS-1/B/K
	Bright & Anti-Slip	S/CS-1/B/ASLP	Q/CS-1/B/ASLP	H/CS-1/B/ASLP
	Bright & Ripple Grip™	N/A	Q/CS-1/B/RG	H/CS-1/B/RG
Powdercoated	Powdercoated	S/CS-1/POWD	Q/CS-1/POWD	H/CS-1/POWD
	Powdercoated & Anti-Slip	S/CS-1/POWD/ASLP	Q/CS-1/POWD/ASLP	H/CS-1/POWD/ASLP
	Powdercoated & Ripple Grip™	N/A	Q/CS-1/POWD/RG	H/CS-1/POWD/RG
Plated	Plated	S/CS-1/PLAT	Q/CS-1/PLAT	H/CS-1/PLAT
	Plated & Knurled	S/CS-1/PLAT/K	Q/CS-1/PLAT/K	H/CS-1/PLAT/K
	Plated & Anti-Slip	S/CS-1/PLAT/ASLP	Q/CS-1/PLAT/ASLP	H/CS-1/PLAT/ASLP
	Plated & Ripple Grip™	N/A	Q/CS-1/PLAT/RG	H/CS-1/PLAT/RG

All series above feature the CS-1 flange; substitute D-1, FS-1, etc. for alternate flange choice. Add configurations shown on pages 18-23 after S, Q or H to complete model number. For example, Q-12/CS-1/P or H-2040/FS-1/POWD in Almond. See page 3 for complete powdercoating and plating color chart.

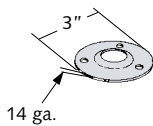
**TSM** is a recognized leader in grab bars, offering a broad selection of standard models as well as custom configurations. TSM bars are manufactured to exacting quality criteria. There are three tubing sizes and eight flanges from which to choose, more than any other grab bar manufacturer. All parts are type 304 stainless steel, heliarc welded to form one complete unit. Bends are 90° and 1 1/2" wall clearance is standard (38mm). TSM offers a wide variety of bars that meet or exceed all building codes for barrier-free design. In addition, all of the models featured on pages 18-23 can be modified to different dimensions to fit your needs. If you have a custom configuration in mind unlike any of the standard models, see page 23. All TSM grab bars meet or exceed the structural strength requirements of current U.S. building codes and ADA guidelines (300 pounds/1335N). Fastener kits are ordered separately (see page 23).

## Exposed Screw Flanges

### R-1



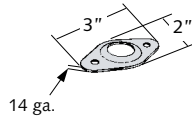
14 gauge thick, 3" diameter. Three holes for pan head screws.



### D-1



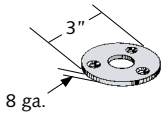
14 gauge thick, 2" x 3". Welded at 90° to the bar to facilitate attaching the bar to building studs. Two holes for pan head screws.



### R-3



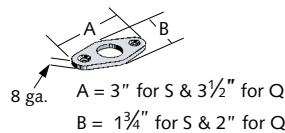
8 gauge thick, 3" diameter. Extremely heavy-duty. Strongest flange in the line. Three countersunk holes for oval head screws.



### D-3



8 gauge thick, 2" x 3 1/2" (1 3/4" x 3" for 1" tubing). Extremely heavy-duty. Like the D-1, the diamond-shaped D-3 is welded perpendicular to the bar. Two holes for oval head screws.



### Gauge Guide

Gauge	Thickness in Inches / millimeters	
8	.165"	4.2mm
11	.120"	3.1mm
12	.109"	2.8mm
14	.083"	2.1mm
15	.072"	1.8mm
16	.065"	1.7mm
18	.049"	1.2mm
20	.035"	.9mm
22	.028"	.7mm
24	.022"	.6mm
25	.020"	.5mm
28	.014"	.4mm

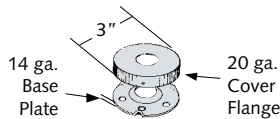
BWG conversion to inches and millimeters. (The lower the number, the heavier the gauge.)

## Concealed Screw Flanges

### CS-1



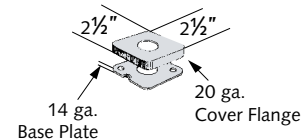
14 gauge thick base plate; 20 gauge cover flange, 3" diameter. TSM originated the snap-lock flange concept, which provides a direct-to-wall installation. The base flange screws into the wall and the dimpled cover flange snaps firmly onto the three crimps on the edge of the base plate. Base flange has 5 screw holes.



### FS-1



14 gauge thick base plate; 20 gauge cover flange, 2 1/2" x 2 1/2". Provides the same snap-lock flange design as the CS-1 in a square model.

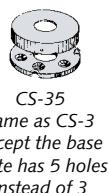
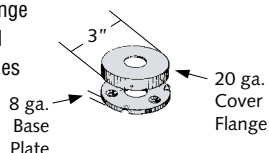


### CS-3



Combines an R-3 base plate with a CS-1 snap-lock cover flange; provides extra heavy-duty base flange with decorative cover. 8 gauge thick base plate; 20 gauge cover flange, 3" diameter. The base flange screws into the wall and the dimpled cover flange snaps firmly onto the three crimps on the

edge of the base plate. Base flange has 3 screw holes for oval head screws at ends and 5 screw holes for mid-supports for easier access when installing.



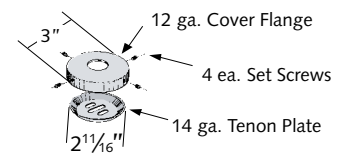
CS-35 Same as CS-3 except the base plate has 5 holes instead of 3

### CS-5



14 gauge thick tenon plate, 2 11/16" diameter; 12 gauge thick cover flange, 3" diameter. Tenon plate is mounted to wall. Two holes for pan head screws, or central hole slot can be used with thru bolt or other appropriate fastener as chosen by installer.


Cover flange is attached to tenon plate with 4 set screws




**P**lating and powdercoating are attractive options for many products. The finishes are applied over the stainless steel grab bar, so the rust-resistant properties of the bar are enhanced. White powdercoated grab bars are carried in stock in several sizes. See *Color Options* on page 3.

Although shown here with grab bars, many of the products in this catalog are suitable for powdercoating or plating. However, it is not advisable to apply finishes to products intended for heavy abuse, such as corner guards.

Applied surfaces need little maintenance – wipe gently with a soft cloth dampened with water to keep the finish clean and glossy. All TSM plated finishes have a clear baked enamel coat to protect them.



White powdercoated finish shown applied over a Q/CS-1 Ripple Grip™ bar.


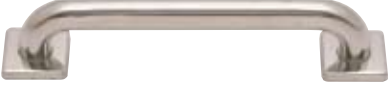








For a striking, dramatic look to any grab bar, add plating over Ripple Grip™. Satin Copper and Black Nickel, both shown in Q/CS-1.



Powdercoating gives a warm, decorative look to grab bars. L-R: Vanilla and Almond in H tubing; Wheat and Light Mocha in Q; Rosy Taupe in H. All shown with CS-1 flange.

## Finishes

		<b>SUFFIX</b>	
	none	Satin is standard. Also known as #4 brushed finish.	
	/B	Bright is available for a look that is similar to chrome. TSM's bright finish is a true mirror finish and is superior to chrome plating because it is more durable. Also known as #8 polished finish.	
	/P	Peened texture is achieved with metallic balls shot with high pressure air jet onto the surface of the metal, which produces slight indentations. Available with satin or bright.	
	/K	Knurling cuts a diamond-shaped crosshatch on the surface of the bar. Available with satin, bright or plated bars.	
	/RG	Ripple Grip™ is a bubble pattern embossed into the tubing. Available with satin, bright, plated or powdercoated bars. Does not show fingerprint marks.	
	/ASLP	Anti-Slip is a non-slip coating applied to the surface of the bar. Available with satin, bright, plated or powdercoated bars.	
	/POWD	Powdercoating offers a decorative look for grab bars by applying a choice of colors to the surface of the tubing and flanges. See page 3 for complete color chart.	
	/PLAT	Plating offers a decorative look for grab bars to match other bathroom fixtures in popular finishes. All plated products have a clear baked enamel finish. See page 3 for complete color chart.	

## Care of Stainless Steel & Brass

Stainless steel type 304 is an ornamental grade chromium/nickel alloy with excellent corrosion resistance, luster, strength and durability.

Under normal conditions and with proper maintenance, the products will provide many years of service. However, stainless steel is not stain or rust proof. Regular maintenance is required to keep the metal clean and free of contaminants.

After cleaning with a mild ammonia-based cleaner, rinse with water and wipe dry. For further information, request TSM's free booklet, "The Care of Stainless Steel and Brass."

TSM recommends uncoated brass for most applications.

It requires regular polishing with a good metal polish and a soft cotton cloth whenever tarnish appears. A light coat of paste auto wax containing carnauba wax will help protect the finish.

As an alternative to uncoated brass, a clear baked enamel finish is available. However, this finish is easily scratched (by vigorous cleaning, for example) allowing oxidation to begin and spread underneath the remaining clear coat. To remove fingerprints and watermarks, wipe with a damp soft cotton cloth then dry.



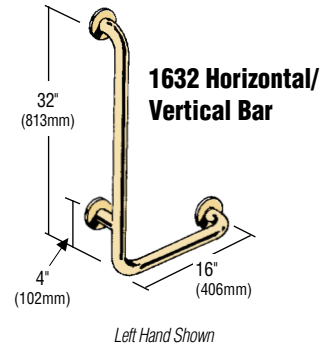


**R**eal brass grab bars in alloy CDA 274 can add an elegant touch to any bathroom. The bars are available in 1 1/4" (Q Series) and 1 1/2" (H Series) O.D. (32 & 38mm) with CS-1 snap-lock flanges. The finish is bright, also known as polished. Fastener kits are ordered separately (see page 23).

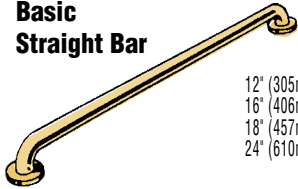
## Standard Brass Models

Other sizes available upon request.

Brass that is polished to a mirror bright finish is frequently specified, and TSM keeps bright brass grab bars in stock to accommodate this demand. As an alternative to bright, consider the advantage of satin brass. The lightly brushed finish stays beautiful longer because it minimizes fingerprints and small scratches (add suffix /SB to model number).

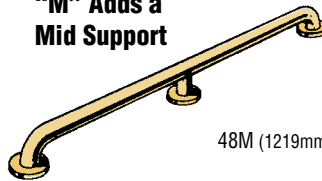


### Basic Straight Bar

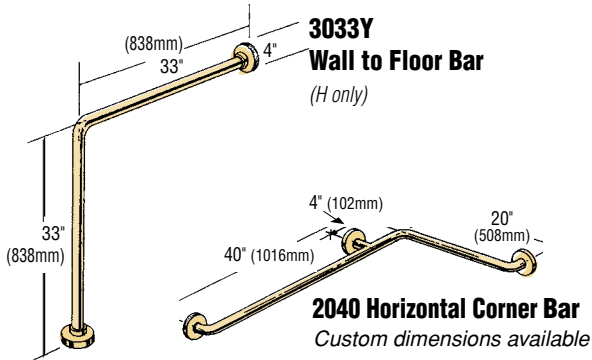


12" (305mm) 30" (762mm)  
 16" (406mm) 32" (813mm)  
 18" (457mm) 36" (914mm)  
 24" (610mm) 42" (1067mm)

### "M" Adds a Mid Support



48M (1219mm)



## Bright Brass Grab Bar Finish Series

Series	Description
Q/CS-1/BB	Uncoated
Q/CS-1/BB/CL	Clear Coated
Q/CS-1/BB/P	Uncoated with Peened Non-Slip Grip
Q/CS-1/BB/CL/ASLP	Clear Coated with Anti-Slip Coating
H/CS-1/BB	Uncoated
H/CS-1/BB/CL	Clear Coated
H/CS-1/BB/P	Uncoated with Peened Non-Slip Grip
H/CS-1/BB/CL/ASLP	Clear Coated with Anti-Slip Coating

1 1/4" O.D. (Series Q)  
 1 1/2" O.D. (Series H)

Add model numbers shown above after Q or H. For example, Q-12/CS-1/BB or H-1632/CS-1/BB/CL, Left Hand

## Real Brass vs. Plated Brass

TSM offers real brass bars at less cost than plated brass over stainless steel. They look the same but have some differences - for example, real brass is a softer metal than stainless steel. Here's a guide:

	Real Brass Uncoated (suffix BB)	Real Brass, Clear Coated (suffix BB/CL)	Plated Brass (suffix PLBB)
Available with non-slip grip	X (Peened)	X (Anti-Slip)	X (Knurled, Ripple Grip™ or Anti-Slip)
Scratches can be polished out	X		
Many models in stock		X	
Requires polishing	X		
Available in any size tubing and flange style			X
Available in Q or H with CS-1 flange	X	X	Available in any size or flange
Strength of stainless steel			X
Non-tarnishing base metal			X
Protective coat to prevent tarnish		X	X

## Installation

The selection of appropriate fasteners for a particular application is the installer's responsibility. It is important to evaluate installation conditions because an accessory is only as strong as its anchoring devices and the wall on which it is mounted. TSM offers optional stainless steel screws and mounting kits for grab bars (see page 23).

The effectiveness of grab bars, shower seats, and tub seats as safety accessories depends entirely on a secure installation.

All TSM grab bars and seats exceed U.S. established guidelines for strength. However, it is the responsibility of the design/build/install team to evaluate the specific wall conditions to determine the appropriate fasteners.

Please note all grab bars, shower seats and tub seats require backing. All grab bars and seats must be checked frequently to ensure that the installation is secure and the product is in good working condition.



**TSM** offers a variety of bars to assist at the toilet. There are bars that straddle the toilet bowl and provide a firm grip for both arms, sidewall bars, corner bars, and even swingaway and swingup bars. Dimensions are centerline unless noted otherwise. Fastener kits are ordered separately (see page 23). Almost any bar shown can be modified to different dimensions. Let us know your requirements. See page 21 for custom bars.

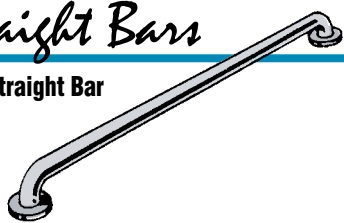
*These toilet bars are Q/CS-1 satin finish stainless steel with 1/4" (32mm) tubing and concealed screw flanges. Left hand is shown in each case except for the 2040M, which is not handed.*

- A** - Q-2245/CS-1 45° Inclined Bar
- B** - Q-1220/CS-1 Boomerang Bar

- C** - Q-832/CS-1, LH Hockey Stick
- D** - Q-2040M/CS-1 @ 36" x 48" (914mm x 1219mm) Horizontal Corner Bar

## Straight Bars

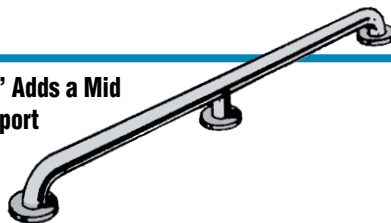
### Basic Straight Bar



#### Standard Lengths

12" (305mm)	30" (762mm)	42" (1067mm)
16" (406mm)	32" (813mm)	48" (1219mm)
18" (457mm)	36" (914mm)	52" (1321mm)
24" (610mm)	40" (1016mm)	54" (1372mm)

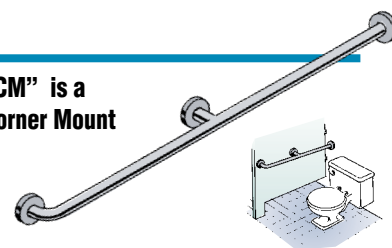
### "M" Adds a Mid Support



#### Standard Lengths

36M (914mm)	54M (1372mm)	96M (2438mm)
42M (1067mm)	60M (1524mm)	108M (2743mm)
48M (1219mm)	72M (1829mm)	
52M (1321mm)	84M (2134mm)	

### "CM" is a Corner Mount



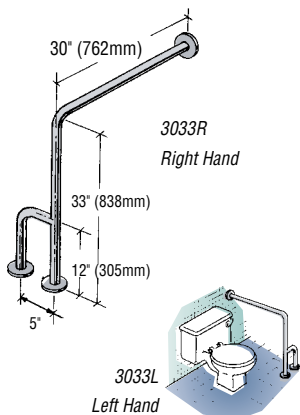
#### Standard Lengths

42CM (1067mm)	52CM (1321mm)
48CM (1219mm)	54CM (1372mm)

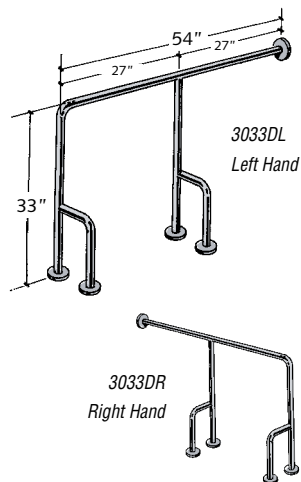
## Toilet Wall-to-Floor Bars

**3033 & 3033D:** These surface-mounted bars utilize outriggers at floor to stabilize. If the bar is on the right when the user is sitting on the toilet, specify right hand. If reverse, specify left. **3033WX:** Provides the same function as the 3033 without outrigger at floor; however, the bar has a 4" extension set into a concrete floor. **3033Y:** Exceptionally sturdy design allows surface mounting without outrigger or extension. Satin stainless steel tubing and bright chrome-plated brass cover flanges slip over steel liners attached to wall and floor.

### 3033 Wall-to-Floor Bar with Outrigger

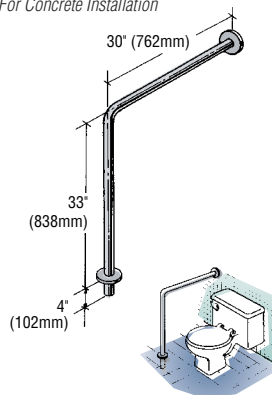


### 3033D Wall-to-Floor Bar with Double Outrigger

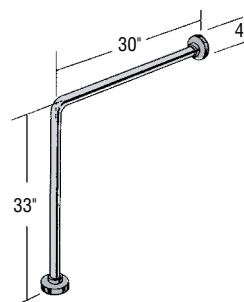


### 3033WX Wall-to-Floor Bar with 4" Extension

*For Concrete Installation*



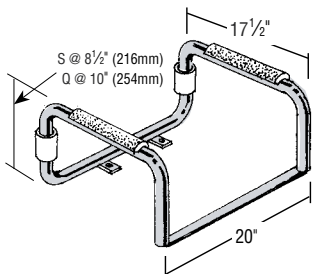
### 3033Y Wall-to-Floor Bar



## Toilet Bars

### 1818-T Safety Arm Rest

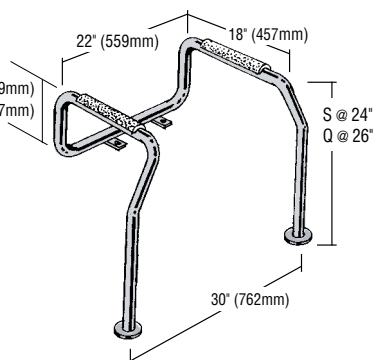
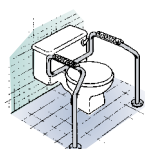
Detachable for easy cleaning.



Extra-wide legs for easy access by wheelchair users. The 1822-F mounts to the floor and the 1818-FM-3 tilts up for easy cleaning. Both bars fit toilet bowl height of 15" - 15 1/2" (381-394mm), but can be modified to fit your requirements.

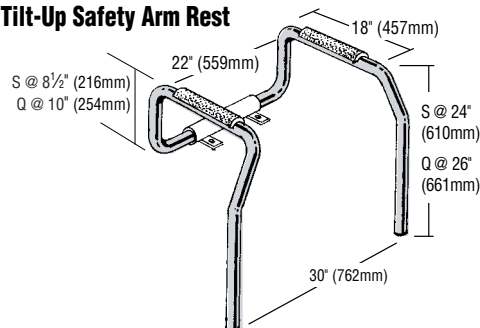
### 1822-F Wheelchair Toilet Bar

S @ 9" (229mm)  
Q @ 10 1/2" (267mm)



### 1818-FM-3 Tilt-Up Safety Arm Rest

S @ 8 1/2" (216mm)  
Q @ 10" (254mm)

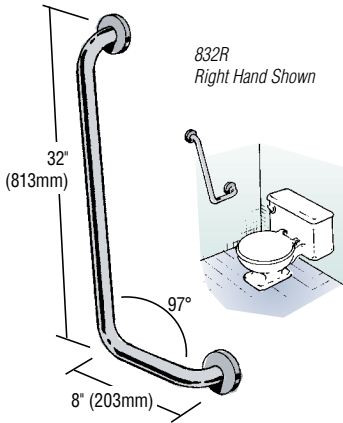


*Plastic arm rest not available on 1/2" (32mm, Q Series).*

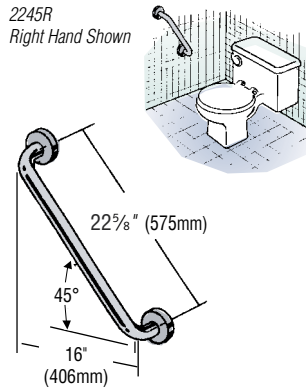
# Angle Bars

These bars are excellent for walls with limited space. Fastener Kits are ordered separately (see page 23).

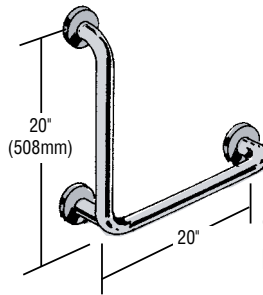
**832  
Hockey Stick**



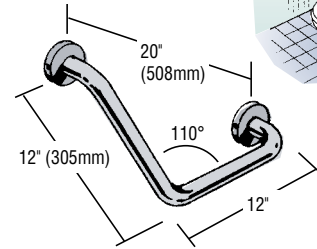
**2245  
45° Inclined Bar**



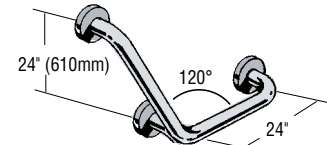
**2020  
Combination Grab Bar**



**1220  
Boomerang Bar**



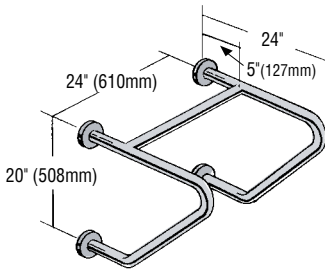
**1220M  
Boomerang Bar with Center Support**



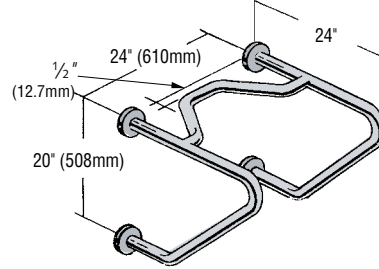
# Straddle Bars

Straddle bars provide support on both sides of the toilet. The 2424-S, 2424-SF and 2424-SN are wall mounted for simple maintenance around toilet. Where wheelchair accessibility is desired, width of straddle bars may be ordered at 30" (762mm) (add -30 to model #). The crossbar on the 2424-SN is attached to the parallel bars at the jobsite with epoxy provided by TSM. For removable crossbar with set screws, specify 2424-SNR.

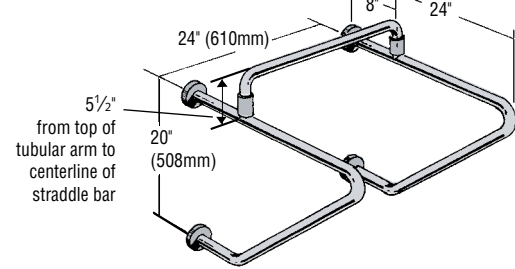
**2424-S  
Straddle Bar**



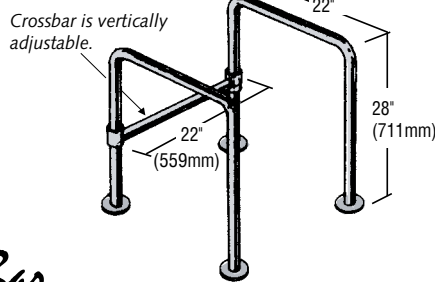
**2424-SF  
Straddle Bar for Flush Valve**



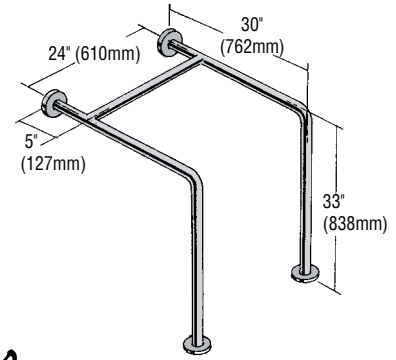
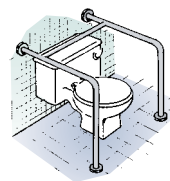
**2424-SN  
Straddle Bar for Tank Toilet**



**2228-S  
Floor-Mounted Straddle Bar**



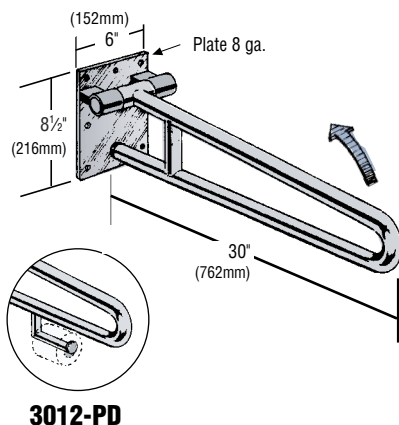
**2430-S  
Wall-to-Floor Straddle Bar**



# Swingup Bar

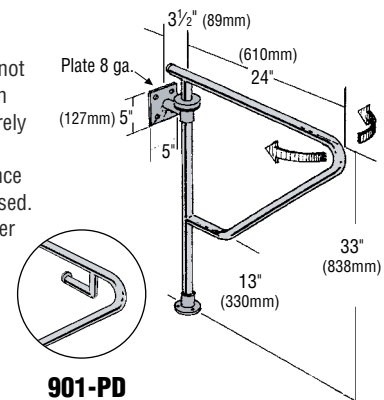
**3012  
Swingup Bar**

Bar swings up out of the way when not in use and is lowered into position when needed. The bar moves smoothly and easily due to tension in the hinge which also prevents it from free falling. Specify 3012-PD for toilet paper dispenser.



**901  
Swingaway Bar**

Bar swings out of way when not in use. A simple lifting motion allows user to lock arm securely in any of three positions 90° apart. To eliminate maintenance and repairs, no springs are used. Specify 901-PD for toilet paper dispenser.





**G**rab bars are now considered a necessity for every bathing area. It is suggested that both a vertical and horizontal bar be provided; the horizontal for pulling oneself safely out of a sitting position and the vertical for stability while entering and leaving the tub. Both are useful handholds during a shower. Fastener kits are ordered separately (see page 23).

Dimensions are centerline unless noted otherwise.

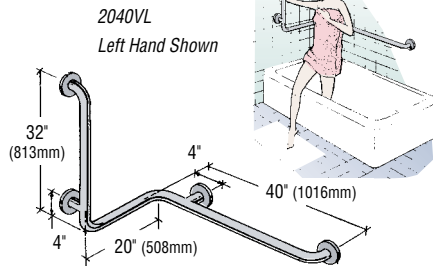
*These bathtub bars are Series Q/FS-1 satin finish stainless steel with 1/4" O.D. tubing (32mm) and FS-1 square concealed screw flanges.*

- Top to bottom:  
 Q-1632/FS-1, RH — Horizontal/Vertical Bar  
 Q-2040V/FS-1, RH — Horizontal Corner Bar with Vertical Arm  
 Q-2040/FS-1 — Horizontal Corner Bar  
 Q-3636V/FS-1, RH — Tub/Shower Bar

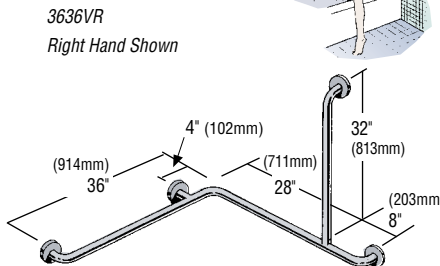
## Bathtub Entry Bars

Fastener Kits are ordered separately (see page 23).

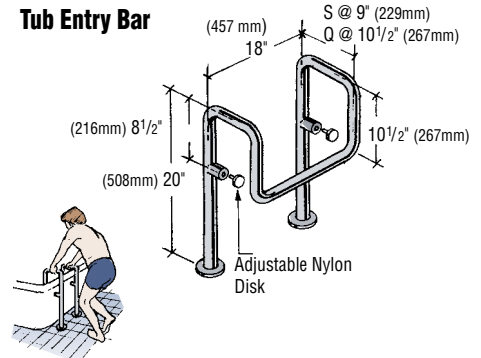
### 2040V Horizontal Corner Bar with Vertical Arm



### 3636V Tub/Shower Bar



### 2010 Tub Entry Bar

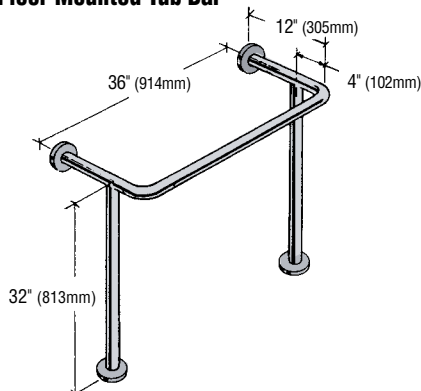


The 2040V and 3636V are excellent multi-purpose bars that provide a vertical arm and two horizontal supports for added stability. When entering tub, if the bather's right hand grips the vertical, specify right hand. If reverse, specify left.

This bar provides a convenient grip for balance at tub entrance. The time-tested design combines floor mounting with a brace that adjusts against the tub for a snug fit. *Note:* Dimensions are for 16" (406mm) tub height. If different, please give tub height from floor.

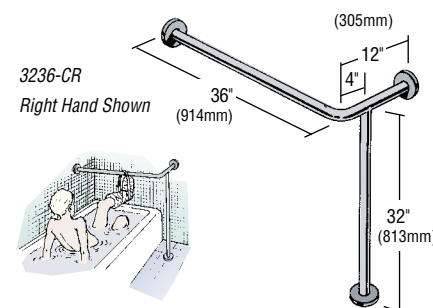
## Bathtub Bars

### 3236 Floor-Mounted Tub Bar

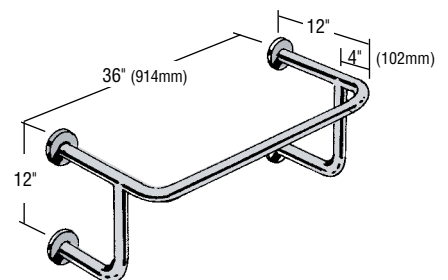


### 3236-C Floor/Corner Mounted Tub Bar

When entering tub, if the bather's right hand is used, specify right hand. If reverse, specify left.



### 1236 Wall-Suspended Tub Bar



# Bathtub Combination Bars

Fastener Kits are ordered separately (see page 23).

## 1632

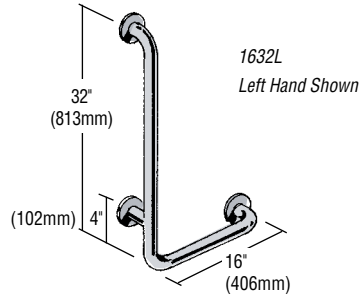
### Horizontal/Vertical Bar

Offers horizontal and vertical use in one bar. Adding the suffix "M" modifies the length of the 1632 to dimensions other than 16" x 32". When entering tub, if the bather's right hand grips the vertical, specify right hand. If reverse, specify left.

#### Standard Sizes

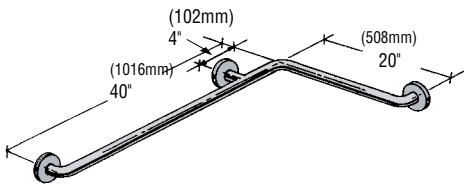
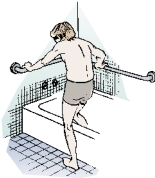
- |                                 |                                  |
|---------------------------------|----------------------------------|
| 1632M @ 12" x 24" (305 x 610mm) | 1632M @ 24" x 36" (610 x 914mm)  |
| 1632M @ 18" x 32" (457 x 813mm) | 1632M @ 24" x 48" (610 x 1219mm) |

Or create your own size: 1632M @ \_\_\_\_\_ horizontal x \_\_\_\_\_ vertical  
(List horizontal dimension first.)



## 2040

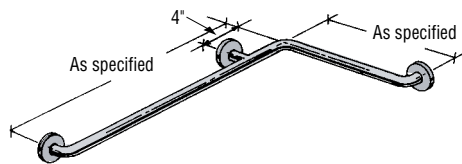
### Horizontal Corner Bar



## 2040M

### Horizontal Corner Bar

2040M same configuration as 2040 but with dimensions as noted.



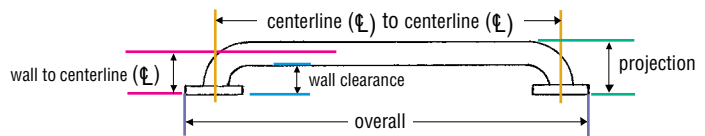
#### Standard Sizes

- 2040M @ 16" x 31" (406 x 787mm)
- 2040M @ 24" x 24" (610 x 610mm)
- 2040M @ 24" x 36" (610 x 914mm)
- 2040M @ 36" x 48" (914 x 1219mm)
- 2040M @ 36" x 52" (914 x 1321mm)
- 2040M @ 36" x 54" (914 x 1372mm)
- 2040M @ 42" x 52" (1067 x 1321mm)

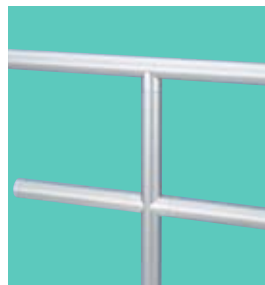
Or create your own size:  
2040M @ \_\_\_\_\_ x \_\_\_\_\_

## Custom Bars & Rails

**TSM** prides itself on fabricating custom grab bars, rails and architectural metalwork with expertise and craftsmanship, projects that range from simple grab bars/handrails to elaborate, monumental railing systems. Off-the-shelf component railing systems as well as custom fabricated projects are designed for ease of installation and worldwide shipping.



Custom Door Pull Handle formed from Bright Polished Tubing

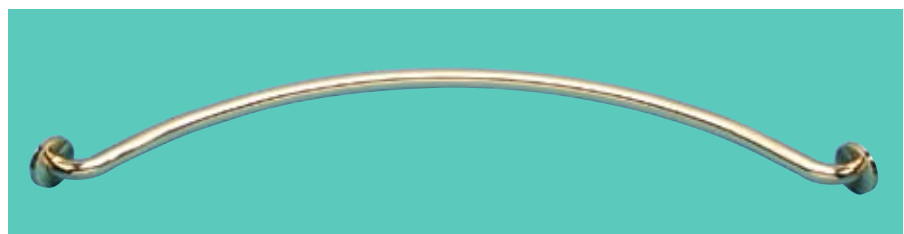


Off-the-Shelf Aluminum Component Railing System (Series 600)



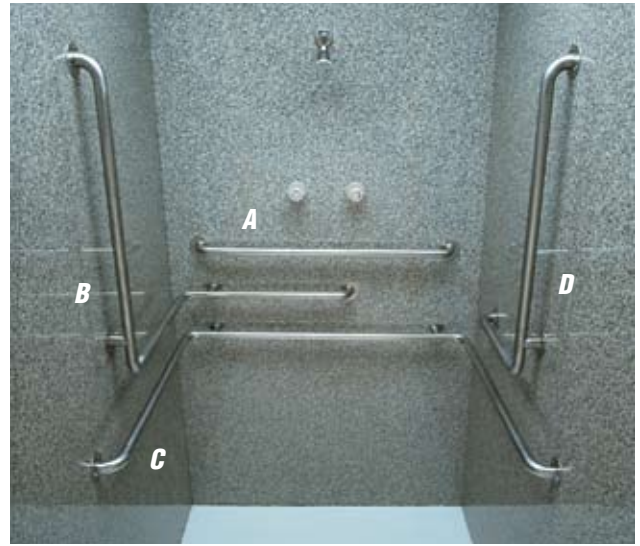
Figure 4 Pool Entry Rails (Model PT-230)

TSM offers a wide range of railing systems in all sizes of stainless steel, brass, aluminum and bronze. Please request Catalog 804 featuring architectural metalwork and ornamental handrails, both in off-the-shelf systems as well as custom fabrications.



Custom Brass Grab Bar with 27" Radius and 48" Arc.

**B**oth vertical and horizontal bars are recommended for stability in the shower. TSM recommends vertical bars at the point of entry to the shower and a horizontal bar on the service wall. Fastener kits are ordered separately (see page 23).

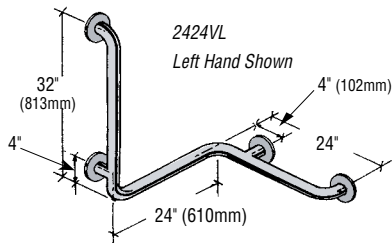


Dimensions are centerline unless noted otherwise.

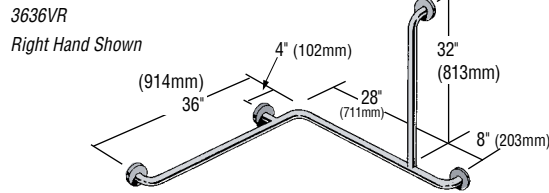
- These shower bars are Series H/R-1 satin finish stainless steel with 1½" O.D. tubing (38mm) and exposed screw flanges.
- (A) H-36/R-1 Basic Straight Bar;
  - (B) H-2424V/R-1, LH Shower Bar with Vertical Arm;
  - (C) H-483/R-1 Wraparound Bar;
  - (D) H-1632/R-1, RH Horizontal/Vertical Bar.

## Shower Bars

### 2424V Shower Bar with Vertical Arm

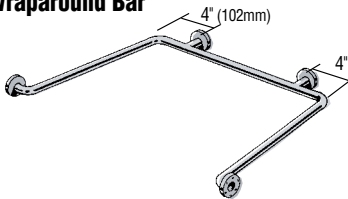


### 3636V Tub/Shower Bar

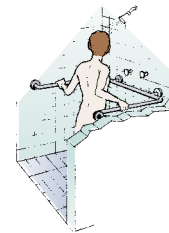
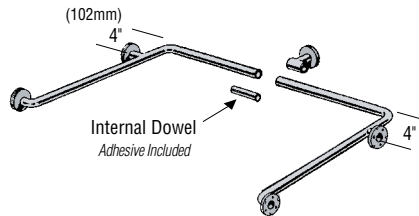


The 2424V and 3636V are multi-purpose bars that provide a vertical arm and two horizontal supports. When entering tub, if the bather's right hand grips the vertical, specify right hand. If reverse, specify left.

### 483 Wraparound Bar



### 483/C-70 Wraparound Bar with Sleeved Mid Support

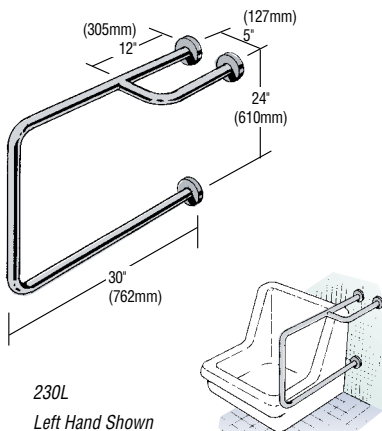


Offers support on all three walls of shower. Bar is custom fabricated to finish wall dimensions. The 483 has smooth, one-piece construction with no sleeves. The 483/C-70 is fabricated and shipped in components with sleeved mid-support covering joint connection.

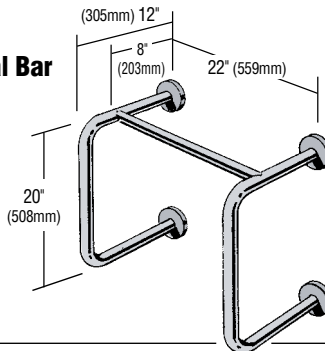
## Specialty Bars

### 230 Sitz Bath Bar

Wall-mounted bar with outrigger for stability. When sitting in sitz bath, if the bather's right hand grips the vertical, specify right hand. If reverse, specify left.

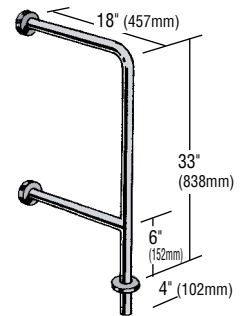


### 202 Urinal Bar



### 1833WX Drinking Fountain Bar with 4" Extension

For Concrete Installation  
Drinking fountain bars alert sight-impaired of obstruction of drinking fountain. The 1833WX has a 4" extension to set bar into a concrete floor.

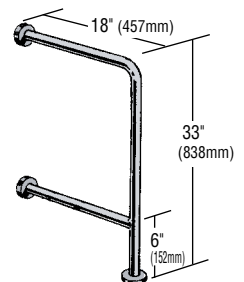


### 6011 Floor-to-Ceiling Grab Bar

Available in 1½" or 1¼" 16 gauge tubing (38,32&1.7mm). The floor flange is welded; the sleeved ceiling flange attaches to the tubing with set screws to facilitate installation. Specify desired length.

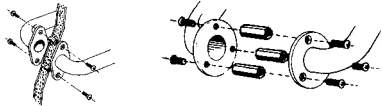


### 1833 Drinking Fountain Bar



## BB-3 Back-to-Back Mounting Plate

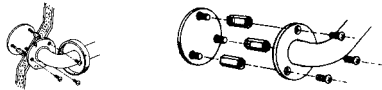
Mounts two bars back-to-back on partitions from  $\frac{3}{4}$ " to  $1\frac{1}{2}$ ". Order one for two flanges.



Shown with D-3

## BP-2 Partition Back Plate

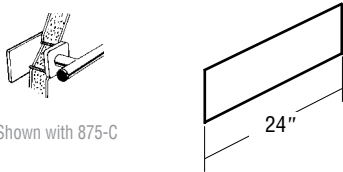
Accommodates panel thicknesses from  $\frac{3}{4}$ " to  $1\frac{1}{2}$ ". Order one per flange.



Shown with CS-1

## BP-10A Anchor Plate without Hole Pattern

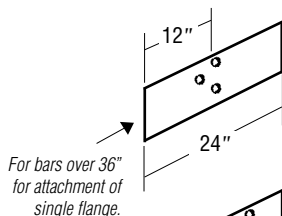
Weld plate to building studs or fasten with bolts and nuts. Drill and tap holes in plate through finish wall. Fasten product to metal plate with machine screws provided.



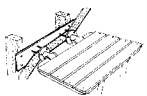
Shown with 875-C

## BP-10B Anchor Plate with Hole Pattern

Specify flange model so the threaded sleeves match mounting holes. Attach product to BP-10B and fasten plate to building studs, allowing for recommended mounting heights. Remove product. Insert marker screws (not provided by TSM) through wood spacers into plate. Press drywall in place against the marker screws and drill through indentations. When drywall is installed, marker screws will project through wall. Remove and discard them, then fasten product to BP-10B with machine screws provided.



For bars over 36" for attachment of single flange.



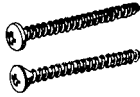
Shown with 711

## OH2, PH2 Screw Mounting Kits

2" #10 Stainless Steel Sheet Metal Screws. Three screws per kit; order one kit per flange.

**PH2** - Pan Head for 14 gauge flanges:  
R-1, CS-1, CS-15, FS-1, D-1

**OH2** - Oval Head for 8 gauge flanges:  
R-3, CS-3, CS-35, D-3



## OHMSOW One-Way Machine Screw Kits

Oval head for use with in-wall backplates. Tamper-resistant. Three screws per kit; order one kit per flange.

**OHMSOW2** - 2" x #10

**OHMSOW1/2** -  $\frac{1}{2}$ " x #10

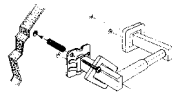


## OH2-EX2, PH2-EX2 Screw & Expandet Anchor Kits

2" Sheet Metal Screws with plastic expandet anchor. Each kit has three screws and three expandet anchors. Order one kit per flange.

**PH2-EX2** - Pan Head for 14 gauge flanges:  
R-1, CS-1, CS-15, FS-1, D-1

**OH2-EX2** - Oval Head for 8 gauge flanges:  
R-3, CS-3, CS-35, D-3



Shown with 801



## OHOW One-Way Sheet Metal Screw Kits

Oval head for use with 8 gauge flanges. Tamper-resistant. Three screws per kit; order one kit per flange.

**OHOW2** - 2" x #10

**OHOW3/4** -  $\frac{3}{4}$ " x #10



## SP-4 Sub Plate

In addition to their use with through bolts, SP-4's can be used to install center supports with triangular hole formations when access is tight and to bolt to a stud so that all three screw holes are engaged. Order one per flange.

**SP-4X** - For exposed screw flanges:  
R-1, R-3, D-1, D-3

**SP-4C** - For concealed screw flanges:  
CS-1, CS-15, CS-3, CS-35, FS-1

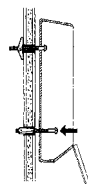


## OH3-TOG, PH3-TOG Toggle Bolt Kits

$\frac{3}{16}$ " dia. x 3" length stainless steel toggle bolt (wings not stainless). Each kit has three bolts and three wings. Order one kit per flange.

**PH3-TOG** - Pan Head for 14 gauge flanges:  
R-1, CS-1, CS-15, FS-1, D-1

**OH3-TOG** - Oval Head for 8 gauge flange  
R-3, CS-3, CS-35, D-3



Shown with 5230

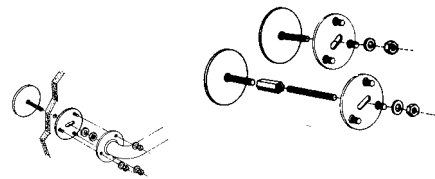


## TB-6, TB-8 Through Bolt

Rod inserts through partition and into an SP-4 sub-plate (order separately). Requires only one hole drilled through a partition. Order one per flange.

**TB-6** -  $1\frac{1}{2}$ " Rod

**TB-8** - 8" Rod



TB-6 with SP-4C

**TSM** seats are superior quality with type 304 satin finish stainless steel frames and a choice for the seat surface of either Naugahyde® cushion or phenolic. The seat appearance can be upgraded with a varied choice of plated or powdercoated colors for the frame and matching Naugahyde® cushions. *For complete color selection, see page 3.*

TSM shower and tub seats will support 250 pounds of static load when correctly installed (112N). Backing is required for every seat installation; mounting hole dimensions below will result in installed seat height of 18" above finish floor (457mm). Consult local codes to assure compliance. Grab bars should be specified in conjunction with all shower seats. All seats can be modified to custom dimensions. See installation information on page 17.

Naugahyde® covered cushions are comfortable to sit on and the seamless design makes them virtually waterproof. White is standard, or you can coordinate the cushion color selection with powdercoated accessories such as towel bars, grab bars, soap dish holders, etc.

Phenolic is a high-pressure laminate that is sturdy and easy to clean. It is easier than cushions for most people to slide across because it is hard and smooth. In addition, the openings provide convenient drainage. Phenolic is available in either woodgrain or ivory color and requires little or no maintenance other than regular cleaning.

*Maintenance:* All seats and grab bars must be checked frequently to ensure that the installation is secure and the product is in good working condition.

## Wheelchair Transfer Seats

The Wheelchair Transfer Seat complies with the Americans with Disabilities Act (ADA) for use in a 36" x 36" (914mm) shower stall. The seat's distinctive shape allows the user to transfer from a wheelchair to the narrow part of the seat and slide across to the wide section in the corner of the stall.

### 731 Folding Wheelchair Transfer Seat

- 731-A** White Cushion, Satin S/S Frame
- 731-PH** Woodgrain Phenolic Slats, Satin S/S Frame
- 731-PHI** Ivory Phenolic Slats, Satin S/S Frame
- 731-PHI2** Ivory Phenolic One-Piece Top, Satin S/S Frame

Frame is welded construction, satin finish stainless steel type 304 tubing, round 1" x 18 gauge (25 x 1.2mm) and square 1 1/4" x 1 1/4" x 18 gauge (32mm x 1.2mm).

A guide bracket supports U-shaped legs which move up and down with minimal but intended resistance. TSM's unique counterbalance mechanism prevents accidental freefall of the seat when it is lowered into position or raised to be folded up against the wall.

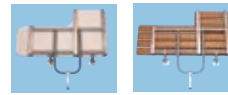
**Overall Size:**  
34 1/2" wide x 20" projection from wall (876 x 508mm)

**Mounting Holes from Finished Floor:**  
Cushion Model - 5 1/4" & 8 1/4" for Guide Bracket;  
11 1/8" & 13 1/2" for flanges.  
Phenolic Model - 6 1/2" & 9 1/2" for Guide Bracket;  
13 1/8" & 14 3/4" for flanges.



731-A, Left Hand

Right Hand



Folded Up Against Wall



731-PH, Left Hand

Right Hand

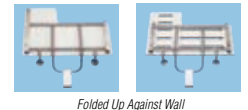
### 733 Folding Wheelchair Transfer Seat

- 733-A** White Cushion, Satin S/S Frame
- 733-PH** Woodgrain Phenolic Slats, Satin S/S Frame
- 733-PHI** Ivory Phenolic Slats, Satin S/S Frame
- 733-PHI2** Reversible Ivory Phenolic One-Piece Top, Satin S/S Frame

Similar configuration as 731, except the frame is mechanically assembled and there is no counterbalance mechanism to offer resistance when the seat is lowered. The phenolic seat is available in either slats or in one piece.

**Overall Size:**  
33" wide x 22 5/16" projection from wall (838 x 579mm)

**Mounting Holes from Finished Floor:**  
Cushion Model - 2 1/2" & 9 3/4" for Guide Bracket; 10 3/4" & 12 3/8" for flanges.  
Phenolic Model - 3 3/4" & 10" for Guide Bracket; 12" & 13 5/8" for flanges.



Folded Up Against Wall



733-A, Left Hand

Right Hand



733-PHI2, Left Hand

Right Hand

## Folding 4-Legged Shower/Dressing Area Seat

- 736-A** White Cushion, Satin S/S Frame
- 736-PH** Woodgrain Phenolic Slats, Satin S/S Frame
- 736-PHI** Ivory Phenolic Slats, Satin S/S Frame
- 736-PHI2** Ivory Phenolic One-Piece Top, Satin S/S Frame

Similar configuration as 730, except the seat has four legs.

**Overall Size:**  
18" wide x 15 7/8" projection from wall (457mm x 403mm)

**Mounting Holes from Finished Floor:**  
Cushion Model - 11" & 12 3/4" for flanges (279 x 324 mm).  
Phenolic Model - 12 1/4" & 14" for flanges (311 x 356 mm).



736-A



736-PHI2

### 734 Folding 4-Legged Transfer Seat

- 734-A** White Cushion, Satin S/S Frame
- 734-PH** Woodgrain Phenolic Slats, Satin S/S Frame
- 734-PHI** Ivory Phenolic Slats, Satin S/S Frame
- 734-PHI2** Ivory Phenolic One-Piece Top, Satin S/S Frame

Similar configuration as 733, except the seat has four legs.

**Overall Size:**  
33" wide x 22 5/16" projection from wall

**Mounting Holes from Finished Floor:**  
Cushion Model - 11" & 12 3/4" for flanges.  
Phenolic Model - 12 1/4" & 14" for flanges.



734-A, Left Hand

Right Hand



734-PH, Left Hand

Right Hand



# Shower/Dressing Area Seats

Fastener Kits are ordered separately (see page 23).

## 730 Shower/Dressing Area Seat

- 730-A** White Cushion, Satin S/S Frame
- 730-PH** Woodgrain Phenolic Slats, Satin S/S Frame
- 730-PHI** Ivory Phenolic Slats, Satin S/S Frame
- 730-PHI2** Ivory Phenolic One-Piece Top, Satin S/S Frame

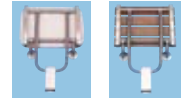
730 Frame is welded construction satin finish stainless steel type 304 tubing, round 1" x 18 gauge (25mm x 1.2mm) and square 1 1/4" x 1 1/4" x 18 gauge (32mm x 1.2mm). A guide bracket supports U-shaped legs which move freely up and down, allowing the seat to be lowered to sitting position or to be folded against the wall and held in place by clip with spring action.

### Mounting Holes from Finished Floor:

Cushion Model - 1 1/2" & 8 3/4" for Guide Bracket; 10 3/4" & 12 3/8" for flanges.  
Phenolic Model - 3 1/2" & 10 3/4" for Guide Bracket; 12 3/4" & 14 3/8" for flanges.

### Overall Size:

18" wide x 15 1/2" projection from wall



Folded Up Against Wall

## 735 Shower/Dressing Area Seat

- 735-A** White Cushion, Satin S/S Frame
- 735-PH** Woodgrain Phenolic Slats, Satin S/S Frame
- 735-PHI** Ivory Phenolic Slats, Satin S/S Frame
- 735-PHI2** Ivory Phenolic One-Piece Top, Satin S/S Frame

Similar configuration as 730, except the frame is mechanically assembled instead of welded construction. The phenolic seat is available in either slats or in one piece.

### Mounting Holes from Finished Floor:

Cushion Model, 2 1/2" & 9 3/4" for Guide Bracket; 10 3/4" & 12 3/8" for flanges. Phenolic Model, 3 3/4" & 10" for Guide Bracket; 12" & 13 5/8" for flanges.

### Overall Size:

18" wide x 15 7/8" projection from wall (457 x 403mm)



735-PHI2



730-A



730-PH

# Shower Seat for Roll-In Shower

## 740 Shower Seat for Roll-In Shower

- 740-A** White Cushion, Satin S/S Frame
- 740-PH** Woodgrain Phenolic Slats, Satin S/S Frame
- 740-PHI** Ivory Phenolic Slats, Satin S/S Frame
- 740-PHI2** Ivory Phenolic One-Piece Top, Satin S/S Frame

Similar configuration as 730. Seat complies with ADA Guidelines for Roll-In Shower Seat.



### Overall Size:

22 1/2" wide x 18" projection from wall (572 x 457mm)

### Mounting Holes from Finished Floor:

Cushion Model, 3 1/8" & 11 3/8" for Guide Bracket; 11 1/2" & 13 1/8" for flanges. Phenolic Model, 4 3/8" & 12 3/8" for Guide Bracket; 12 3/4" & 14 3/8" for flanges.



740-PHI

# Bathtub Seat

## 750 Fold-Up Bathtub Seat

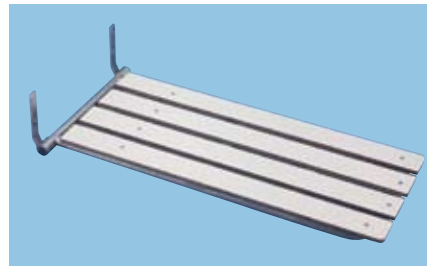
- 750-PH** Woodgrain Phenolic, Satin S/S Frame
- 750-PHI** Ivory Phenolic, Satin S/S Frame



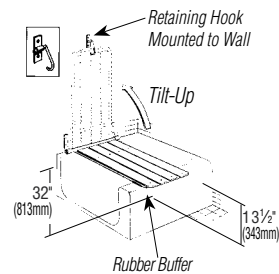
Spans the width of the bathtub. Fits bathtubs measuring a maximum of 30" in width (762mm), wall to outside of bathtub lip. Frame is stainless steel type 304,

1" x 18 gauge satin finish (25x1.2mm). Wall brackets hold the seat in place over the bathtub, allowing the seat to rotate freely up and down from a fixed position.

The outside lip of the bathtub supports the seat when it is lowered in place. A manually operated retaining hook mounted on the wall holds the seat in place when it is folded up against the wall. Rubber buffer protects bathtub lip.



750-PHI



# Corner Seat

## 712H Folding Corner Seat

- 712H** Folding Corner Seat
- 712** Fixed Position Corner Seat

Ideal for showers with limited space. Stainless steel 16 gauge (1.7mm) type 304, satin finish. Edges channel-formed for maximum safety. Model 712-H has one side hinged to allow additional space when not in use.

### Overall Size:

14" x 14" (356 x 356mm)



712-H



712

# Compact Seat

## 711 Compact Seat

- 711-PH** Woodgrain Phenolic, Satin S/S Frame
- 711-PHI** Ivory Phenolic, Satin S/S Frame

Compact design to fit in a small shower. Folds up against the wall when not in use. Frame is stainless steel type 304, 1" x 18 gauge satin finish (25 x 1.2mm).

### Overall Size:

16" wide x 12 1/2" projection from wall

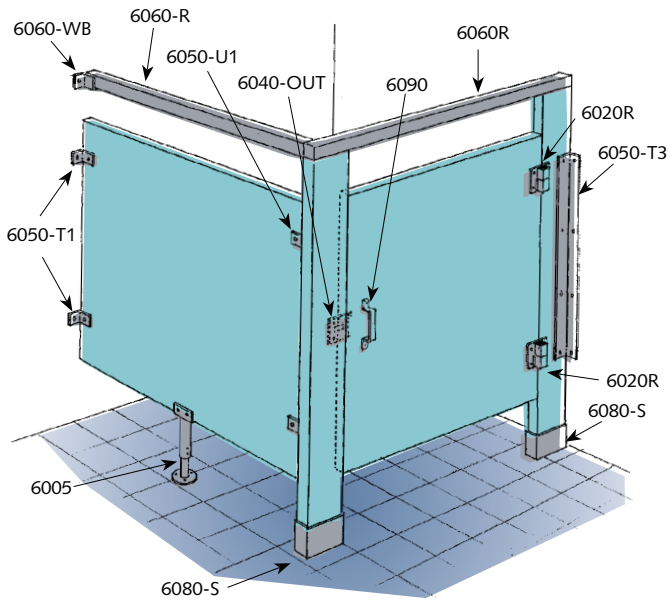


711-PH



# Partition Hardware

Satin Finish Type 304 Stainless Steel. Contact Factory for Custom Sizes.

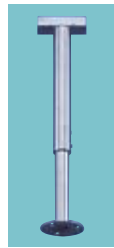


## Partition Brace

Floor-mounted unit supports partition panels 1/2" to 1 1/2" thick (12.7 - 38mm).

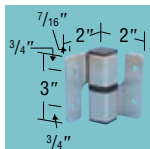
**6005** has height adjustable from 9 3/4" to 13 1/4" (248-337mm).

**6005M** has height adjustable from 5 1/2" to 7" (140 - 178mm).



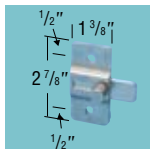
## 6020 Hinge

6020R = Right Hand In or Left Hand Out  
6020L = Left Hand In or Right Hand Out



11 gauge

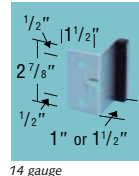
## 6030 Slide Latch



11 & 14 gauge

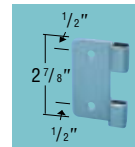
## 6040-IN Stop & Keeper, Inswing

6040-IN1 = 1"  
6040-IN2 = 1 1/4"



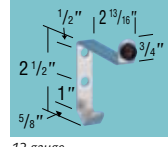
14 gauge

## 6040-OUT Stop & Keeper, Outswing



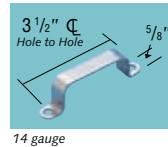
14 gauge

## 6070 Coat Hook & Bumper



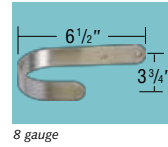
12 gauge

## 6090 Door Pull



14 gauge

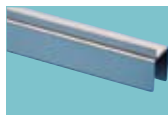
## 6095 ADA Door Handle



8 gauge

## 6060-R Headrail

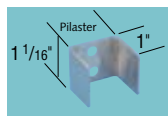
6060-RS = 1" Pilaster x 10'  
6060-RQ = 1 1/4" Pilaster x 10'



18 gauge

## 6060-PB Headrail Pilaster Bracket

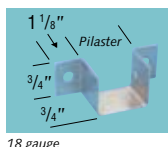
6060-PBS = 1" Pilaster  
6060-PBQ = 1 1/4" Pilaster



18 gauge

## 6060-WB Headrail Wall Bracket

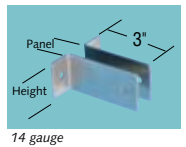
6060-WBS = 1" Pilaster  
6060-WBQ = 1 1/4" Pilaster



18 gauge

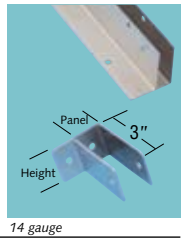
## 6050-D Double F Bracket

6050-D1 = 1 1/2" High  
6050-D2 = 3" High  
6050-D3 = 58" High



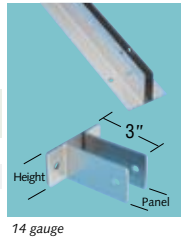
## 6050-F F Bracket

	Panel	
	1"	1 1/4"
Height	1 1/2" 6050-FS1	6050-FQ1
	3" 6050-FS2	6050-FQ2
	58" 6050-FS3	6050-FQ3



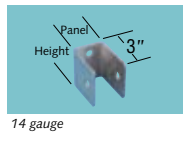
## 6050-T T Bracket

	Panel	
	1"	1 1/4"
Height	1 1/2" 6050-TS1	6050-TQ1
	3" 6050-TS2	6050-TQ2
	58" 6050-TS3	6050-TQ3



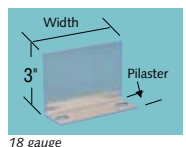
## 6050-U U Bracket

	Panel	
	1"	1 1/4"
Height	1 1/2" 6050-US1	6050-UQ1
	3" 6050-US2	6050-UQ2
	58" 6050-US3	6050-UQ3



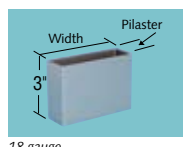
## 6080-A Floor/Ceiling Anchor

	Pilaster	
	1"	1 1/4"
Width	4" 6080-AS4	6080-AQ4
	6" 6080-AS6	6080-AQ6
	8" 6080-AS8	6080-AQ8
	10" 6080-AS10	6080-AQ10
	12" 6080-AS12	6080-AQ12



## 6080-S Pilaster Shoe

	Pilaster	
	1"	1 1/4"
Width	4" 6080-SS4	6080-SQ4
	6" 6080-SS6	6080-SQ6
	8" 6080-SS8	6080-SQ8
	10" 6080-SS10	6080-SQ10
	12" 6080-SS12	6080-SQ12



Add Suffix 'R' for Retrofit Model

## Signs

- 840 840-A 840-B** Women Men Restrooms

Plexiglass with polished edges.  
Overall Size: 12" diameter(305 mm)

## 840-C Handicap Decal

Pressure sensitive 6" x 6" (152mm) international access symbol. Silver on blue background.



Tactile signs comply with the signage requirements of the Americans with Disabilities Act. Durable plastic with Grade 2 Braille. Overall Size: 6" x 9" (152 x 229mm).

## 840-T Women, Tactile



## 840-AT Men, Tactile



## 840-BT Restroom, Tactile



## 840-CT Accessible, Tactile



# Medicine Cabinets

## 5415 Surface-Mounted Baked Enamel Medicine Cabinet

One-piece, drawn cold rolled steel with off-white baked enamel finish. Stainless steel framed mirrored door with 1/4" thick plate glass hung on continuous piano hinge closes by a magnetic catch. Two adjustable stainless steel shelves.

**Overall Size:**  
14 1/4" x 20 1/4" x 4 3/4"  
(360 x 515 x 120mm)



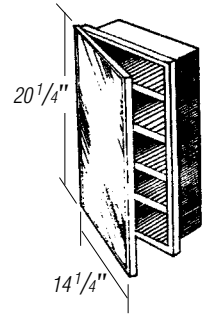
## 5418 Recessed Stainless Steel Medicine Cabinet

Cabinet is 22 gauge type 304 stainless steel. Four stainless steel shelves, adjustable height. Mirror 1/4" float plate glass.

**Rough Wall Opening:**  
15 1/2" x 25 1/2" x 4" min. depth  
(394 x 648 x 102 mm)

*Not Shown:*

**5428** - Same as 5418, but surface mounted with three stainless steel adjustable shelves. 18 1/4" x 24 1/4" x 4 3/4"



# Recessed Soap Dishes

Wet wall units include cement lug for embedding. Dry wall units include mounting clamp for stud walls.

## 821, 822 Recessed Soap Dish

- 821S - Dry Wall - Satin Finish
- 821B - Dry Wall - Bright Finish
- 822S - Wet Wall - Satin Finish
- 822B - Wet Wall - Bright Finish

Stainless steel type 304.

**Wall Opening:** 5 1/2" x 5 1/2" x 2"  
(140 x 140 x 50mm)

**Overall Size:** 6 1/4" x 6 1/4"  
(160 x 160mm)



## 823, 824 Recessed Soap Dish & Bar

- 823S - Dry Wall - Satin Finish
- 823B - Dry Wall - Bright Finish
- 824S - Wet Wall - Satin Finish
- 824B - Wet Wall - Bright Finish

Same as 821/822 with 3/4" round bar.

**Wall Opening:** 5 1/2" x 5 1/2" x 2"  
(140 x 140 x 50mm)

**Overall Size:** 6 1/4" x 6 1/4"  
(160 x 160mm)



## 827 Recessed Heavy Duty Stainless Steel Soap Dish & Bar

- 827-A - Dry Wall
- 827 - Wet Wall

Stainless steel type 304. Exterior bright polished; interior sand blasted finish.

**Wall Opening:** 6 1/8" W x 4 1/8" H  
x 4" D (156 x 105 x 102mm)

**Overall Size:** 7 1/8" x 5"  
(180 x 130mm)



## 828 Recessed Heavy Duty Stainless Steel Soap Dish

- 828-A - Dry Wall
- 828 - Wet Wall

Same as 827-A/827 without bar.

**Wall Opening:** 6 1/8" W x 4 1/8" H  
x 4" D (156 x 105 x 102mm)

**Overall Size:** 7 1/8" x 5"  
(180 x 130mm)



# Hooks

Type 304 stainless steel unless otherwise noted. Security Hooks on page 37.

## 805 Double Robe Hook

- 805S - Satin Finish
- 805B - Bright Finish



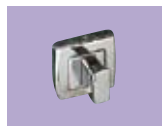
## 806 Single Robe Hook

- 806S - Satin Finish
- 806B - Bright Finish



## 807 Utility Hook

- 807S - Satin Finish
- 807B - Bright Finish



## 808 Towel Pin

- 808S - Satin Finish
- 808B - Bright Finish



## 809 Hat & Coat Hook

- 809S - Satin Finish
- 809B - Bright Finish



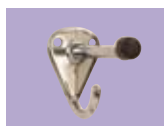
## 859 Clothes Hook

Satin finish 11 gauge. Projects 1 1/4" from wall, 2 1/4" high (32 x 55 mm).



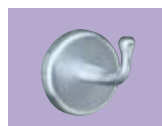
## 860 Coat & Bumper Hook

Rubber bumper protects wall surface. Chrome plated steel. 3" projection.



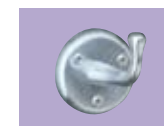
## 861 Heavy-Duty Robe Hook

Concealed mounting satin chrome-plated brass, 3 1/4" projection.



## 862 Heavy-Duty Robe Hook

Exposed mounting satin chrome-plated brass, 3 1/4" projection.



## 895 Hat & Coat Hook

- 895S - Satin Finish
- 895B - Bright Finish



**S**tainless steel type 304 Field-Safe accessories are vandal resistant because fasteners are concealed with a snap-lock flange. The unique patented fastening system does not use set screws which require periodic tightening, thereby reducing maintenance in the field. Because of its one-piece design, Field-Safe accessories can be installed in approximately 1/3 less time than is required for conventional, multi-piece set screw accessories. The 2" x 2" x 18 gauge (51 x 1.2 mm) square Field-Safe flange coordinates with TSM's FS-1 line of grab bars and shower rods for a unified washroom design.

**PATENTED**

**801 Single Roll TP Holder**

- 801S** - Satin Finish, White Poly Roller
- 801B** - Bright Finish, White Poly Roller



- 801S-CR** - Satin Finish, Chrome Poly Roller
- 801S-TR** - Satin Finish, Tamper-Resistant Roller
- 801B-CR** - Bright Finish, Chrome Poly Roller
- 801B-TR** - Bright Finish, Tamper-Resistant Roller

**802 Double Roll TP Holder**

- 802S** - Satin Finish, White Poly Roller
- 802B** - Bright Finish, White Poly Roller



- 802S-CR** - Satin Finish, Chrome Poly Roller
- 802S-TR** - Satin Finish, Tamper-Resistant Roller
- 802B-CR** - Bright Finish, Chrome Poly Roller
- 802B-TR** - Bright Finish, Tamper-Resistant Roller

**Toothbrush & Tumbler Holder**

- 803S** - Satin Finish
- 803B** - Bright Finish



**Soap Dish**

- 804S** - Satin Finish
- 804B** - Bright Finish



**Utility Hook**

- 807S** - Satin Finish
- 807B** - Bright Finish



**Towel Pin**

- 808S** - Satin Finish
- 808B** - Bright Finish



**Coat & Hat Hook**

- 809S** - Satin Finish
- 809B** - Bright Finish



**Double Robe Hook**

- 805S** - Satin Finish
- 805B** - Bright Finish



**Single Robe Hook**

- 806S** - Satin Finish
- 806B** - Bright Finish



**Towel Ring**

- 816S** - Satin Finish
- 816B** - Bright Finish



**Square Towel Bar**

- 810S** - Satin Finish      **810B** - Bright Finish
- Stainless steel tubing is 3/4" square x 20 gauge. 18", 24", 30" and 36" (457, 610, 762 & 914mm).



**Round Towel Bar**

- 811S** - Satin Finish      **811B** - Bright Finish
- St. steel tubing is 3/4" round x 20 gauge (19 x .9 mm). 18", 24", 30" and 36" (457, 610, 762 & 914mm).



**Soap Dish & Utility Bar**

- 812S** - Satin Finish      **812B** - Bright Finish
- Stainless steel tubing is 9" long x 3/4" square x 20 gauge (229 x 19 x .9 mm).



**Utility Shelf**

- 813S** - Satin Finish      **813B** - Bright Finish
- Shelf is 22 gauge stainless steel (19 x .9 mm). 18", 24" and 30" (457, 610 & 762 mm).



**Towel Shelf**

- 814S** - Satin Finish      **814B** - Bright Finish
- Four 7/16" x 22 gauge stainless steel square tubes are locked into posts (8 x .7 mm). 18", 24", 30" and 36" (457, 610, 762 & 914mm).



**Towel Shelf with Drying Bar**

- 815S** - Satin Finish      **815B** - Bright Finish
- Same as 814 with 7/16" x 22 gauge stainless steel square tube drying bar locked into post projections (8 x .7 mm). 18", 24", 30" and 36" (457, 610, 762 & 914mm).



*Zamac Accessories*

**P**olished chrome-plated die cast Zamac accessories. Flanges attach to concealed heavy gauge steel mounting plate.

**903 Toothbrush & Tumbler Holder**



**Single TP Holder**

- 900** - White Poly Roller
- 900-CR** - Chrome Poly



**904 Soap Dish**

*With drainage holes*



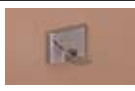
**910 Towel Bar** 18", 24", 30", 36"



**905 Double Robe Hook**



**906 Single Robe Hook**

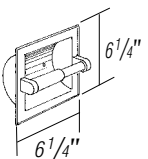


**916 Towel Ring**



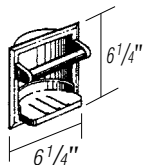
**Recessed Single TP Holder**

- 917** - White Poly Roller
  - 917-CR** - Chrome Poly
- Rough Wall: 5 1/4" x 5 1/4" x 2" (133 x 51mm)



**923 Recessed Soap Dish & Utility Bar**

- Rough Wall: 5 1/4" x 5 1/4" x 1 5/8" (133 x 41mm)



# Shelves & Custodial

**S**turdy all-purpose S Series shelves are constructed of type 304 satin finish stainless steel, 18 gauge (1.2mm). Depth of 5", 6" or 8" (127,152 or 203mm).

Standard Lengths		Custom sizes also available.	
16" (406mm)	20" (508mm)	30" (762mm)	42" (1067mm)
18" (457mm)	24" (610mm)	36" (914mm)	48" (1219mm)



TSM's workmanship assures smooth edges. Model numbers designate depth first, then length. For example, a 5" x 24" shelf is model S5-24.

## S5-18-AA Shelf & Double TP Holder

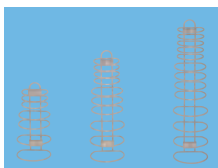
Satin finish type 304 stainless steel 18 gauge. Holds two 1,800 sheet TP rolls.

**Overall Size:** 18" x 5" (460 x 130 mm).



## 842, 843, 844 Hotel Towel Holders

Surface mounted chrome-plated 1/4" diameter wire.

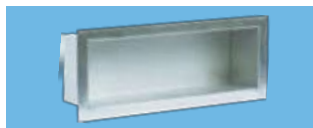


**842** 2 Guest   **843** 3 Guest   **844** 4 Guest

## 845 Recessed Shelf

Type 304 22 gauge satin finish stainless steel, welded construction (.7 mm).

**Wall Opening:** 16 1/2" x 6 1/2" x 4 1/4" wall thickness (420 x 165 x 110 mm).



## 846 Folding Utility Shelf for Toilet Compartment

Returns to upright position when not in use. Satin finish 18 gauge type 304 stainless steel with raised rim.

**Overall Size:** 14 5/8" x 5 13/16" (372 x 148 mm)



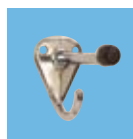
## 859 Clothes Hook

Satin finish 11 gauge type 304 stainless steel. Projects 1 1/4" from wall, 2 1/4" high (32 x 55mm).



## 860 Coat & Bumper Hook

Rubber bumper protects wall surface. Chrome plated, 3" projection (76mm).



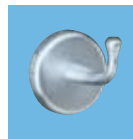
## 860D Door Bumper

Chrome plated. Projects 1 7/8". Flange diameter 2 3/16" (50 & 55mm).



## 861 Heavy-Duty Robe Hook

Concealed mounting satin chrome-plated brass, 3 1/4" projection.



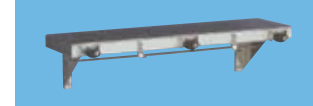
## 862 Heavy-Duty Robe Hook

Same as 861 with exposed mounting.



## 891 Utility Shelf

Shelf holds custodial supplies as well as providing drying bar, hooks and holders for wet brooms and rags. Satin finish type 304 stainless steel 18 gauge. Depth 8".



### Standard Lengths

30" - 2 hooks, 3 holders	42" - 4 hooks, 5 holders
36" - 3 hooks, 4 holders	48" - 5 hooks, 6 holders

## 892 Mop and Broom Holder

Satin finish type 304 stainless steel 18 gauge.

### Standard Lengths

24" - 3 holders	48" - 5 holders
36" - 4 holders	60" - 6 holders



## 868S Surface-Mounted Facial Tissue Dispenser

Cabinet type 304 stainless steel, satin finish. Dispenses 300 single or 150 two-ply sheets. 11" x 6" x 2 1/4" (280 x 152 x 55 mm).

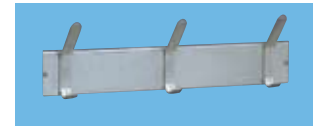


## 893 Utility Hook Strip

Satin finish type 304 stainless steel 18 gauge x 3" strip; hooks are 12 gauge.

### Standard Lengths

24" - 3 hooks	48" - 5 hooks
36" - 4 hooks	60" - 6 hooks



## 870-Q Bottle Opener

One piece, 16 gauge type 304 stainless steel. Projects 1 1/16" from wall (27mm), 2" wide x 2 1/4" high (50 x 55mm).



## 871 Retractable Clothesline

Surface mounted bright stainless steel with 6' vinyl cord (1829mm).



## 894 Shelf with Hook & Mop Holder Strip

Satin finish type 304 stainless steel 18 gauge. Hooks are 12 gauge (2.8 mm).

### Standard Lengths

34" - 4 hooks, 3 mop holders
44" - 5 hooks, 4 mop holders



## 873, 874 Recessed Facial Tissue Dispenser

Cabinet type 304 stainless steel. 873 Dispenses 300 single or 150 two-ply sheets. 874 dispenses 600 single or 300 two-ply sheets.

**873S** - 2" Deep - Satin Finish   **874S** - 4" Deep - Satin Finish  
**873B** - 2" Deep - Bright Finish   **874B** - 4" Deep - Bright Finish

**Wall Opening:** 11 3/8" x 5 5/8" (289 x 130mm) with 2 1/8" depth for 873 and 4 1/8" depth for 874.





**TSM** corner guards help prevent damage to walls caused by carts and other wheeled vehicles. Besides being strong, they are attractive, economical, easy to install and will pay for themselves in reduced maintenance. They can also be used to cover existing wall damage.

TSM stainless steel corner guards are satin finish, 18 gauge type 430 and designed for indoor use (1.2mm). For exterior applications, specify type 304. Standard bend radius is 1/8" (3.2mm). All stainless steel corner guards are shipped with a PVC covering to protect their satin finish.

In addition to the models featured below, TSM encourages your requests for other sizes and configurations of corner guards, column covers and sheet metal items. We will be happy to discuss your requirements.

L-R: CP-3500 Series Corner Guard and EW End Wall Guard, a custom fabrication.

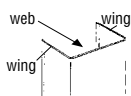
## Surface-Mounted Stainless Steel Corner Guards

Although mastic is the standard installation for surface-mounted corner guards and is included with each order, screws are also available. Surface-mounted corner guards have slight hugger bends at each wing edge to accommodate imperfections in the surface of the wall.

See chart below for wing sizes and lengths; custom sizes readily available. 16 gauge is recommended for lengths over 60" (1.7,1524mm). The minimum custom wing size is 3/4" (19mm). Lengths over 120" will be made in two pieces (3048mm).

### Model Numbers

Wings	Series	- Length -							
		40" (1016mm)	48" (1219mm)	60" (1524mm)	72" (1829mm)	84" (2134mm)	96" (2438mm)	108" (2743mm)	120" (3048mm)
1 1/2" x 1 1/2"	<b>CP-1500 Series</b>	CP-1540	CP-1548	CP-1560	CP-1572	CP-1584	CP-1596	CP-15108	CP-15120
2" x 2"	<b>CP-2000 Series</b>	CP-2040	CP-2048	CP-2060	CP-2072	CP-2084	CP-2096	CP-20108	CP-20120
2 1/2" x 2 1/2"	<b>CP-2500 Series</b>	CP-2540	CP-2548	CP-2560	CP-2572	CP-2584	CP-2596	CP-25108	CP-25120
3" x 3"	<b>CP-3000 Series</b>	CP-3040	CP-3048	CP-3060	CP-3072	CP-3084	CP-3096	CP-30108	CP-30120
3 1/2" x 3 1/2"	<b>CP-3500 Series</b>	CP-3540	CP-3548	CP-3560	CP-3572	CP-3584	CP-3596	CP-35108	CP-35120
<b>EW Series</b>									
End Wall Guard		Field Measure Web							
Wings & Webs Made to Order		Wings must be at least 3/4" (19mm) shorter than Web							



### Options

Angle	Radius	Gauge	Material	Installation
90° Angle Standard	1/8" Radius Standard for CP and EW	18 gauge (.049") Standard	Type 430 Stainless Steel Standard	Mastic Standard
135° Angle Add suffix "@ 135°" to the model number	3/4" Radius Substitute "BN" (Bull Nose) for CP	16 gauge (.065") Add suffix "X" to the model number	Type 304 Stainless Steel Add suffix "T304" to the model #	Screws Add suffix "S" to the model number
		14 gauge (.083") Add suffix "XX" to the model number	Bright Brass with lacquered finish Add suffix "BB" to the model #	Countersunk Screws Add suffix "CSK" to the model number (available in 14 ga.

## Column Covers

Column covers protect columns and provide a finished appearance. Minimum diameter 6" and maximum length 10' (152 & 3048mm):

### CC-W Wraparound Cover

Overlapping hemmed edge attaches to column with rivet or one-way screws.



Shown in Satin Finish  
Stainless Steel Model CC-WS

### CC-C Clip Lock Cover

Outside clip slides down and locks column cover in place with no screws required.



Shown in Satin Finish  
Stainless Steel Model CC-CS

Metal	Finish	Suffix
<b>Stainless Steel Type 304</b>	Satin	S
	Bright	B
<b>Brass Alloy 260</b>	Satin	BS
	Bright	BB
<b>Aluminum 6061</b>	Anodized	A
	Painted	AP
<b>Bronze Alloy 220</b>	Satin	BZA
	Bright	BZB

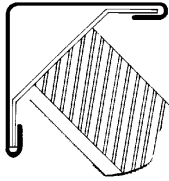
# Built-In Stainless Steel Corner Guards

Provide wing size and length. Type 304 satin finish stainless steel in 18 gauge is standard; 16 and 14 gauge are available.

## CP-H Series

### Hemmed Edge Corner Guard

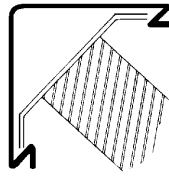
The rounded return edges of the CP-H corner guard provide flush mounting when installed on concrete block or brick wall with ceramic tile or dry wall. Includes steel anchors for embedding in masonry joints with grout.



## CP-Z1 Series

### Z-Bend Corner Guard with Anchors

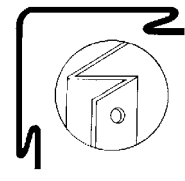
The Z bends provide a flush mounting when installed with plaster, dry wall or ceramic tile on metal studs, wood studs, concrete block walls or brick walls. CP-Z1 includes steel anchors for embedding in masonry joints with grout.



## CP-Z2 Series

### Z-Bend Corner Guard with Screws

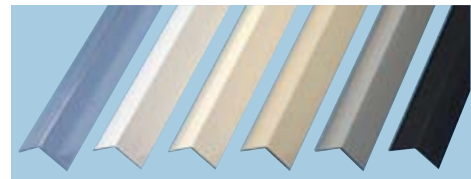
Same as Z1, except Z2 includes stainless steel screws in lieu of anchors.



# Lexan Corner Guards

For maximum protection of corners subject to heavy abuse, TSM recommends stainless steel corner guards. However, for indoor use and light vehicle traffic, Lexan corner guards are an attractive alternate as they are available in clear and a variety of colors. Wall covering or paint is visible through clear corner guards, making them ideal for hotel and residential applications.

Installation options are either screws or double-backed tape. Clear with screws are carried in stock. Custom lengths are available.



Available in Clear (standard), White, Almond, Dark Almond, Gray and Black.

## Clear Lexan Model Numbers

Wings	Length	
	48" (1219mm)	96" (2438mm)
1 1/8" x 1 1/8" Screws	CP-11848L	CP-11896L
2 1/2" x 2 1/2" Screws	CP-2548L	CP-2596L
1 1/8" x 1 1/8" Tape	CP-11848LT	CP-11896L
1 1/8" x 1 1/8" Tape	CP-11848LT	CP-11896L

## Colored Lexan Model Numbers

Wings	Length	
	48" (1219mm)	96" (2438mm)
1 1/8" x 1 1/8" Screws	CP-11848LC	CP-11896LC
2 1/2" x 2 1/2" Screws	CP-2548LC	CP-2596LC
1 1/8" x 1 1/8" Tape	CP-11848LTC	CP-11896LC
1 1/8" x 1 1/8" Tape	CP-11848LTC	CP-11896LC

# Door Frame Savers & Kickplates

## Door Frame Saver

Protects door frames from wheeled vehicles such as gurneys and food carts. Center section of unit swivels to deflect force of object. Type 304 satin finish stainless steel.



- DS-724** - Wood Frame, 24"
- DS-724** - Wood Frame, 36"
- DS-724-HM** - Hollow Metal, 24"
- DS-724-HM** - Hollow Metal, 36"

## Kickplate

**WS-430K** - Type 430 Stainless Steel - Interior Use

**WS-304K** - Type 304 Stainless Steel - Interior and Exterior Use

Satin finish 18 gauge x 8", 10" & 12" wide. Standard lengths 22", 28", 30", 34", 35", 40" & 46"; custom lengths available. Holes drilled 6" on center (152mm).

*Not Shown:*

**WS-BBK** - Interior Use

Bright brass 20 gauge with lacquered finish. Same sizes as above.



# Anti-Slip Coating

## 20102 Anti-Slip Coating

Two-part formula provides a superior slip-resistant surface for grab bars. Can be brushed or rolled on and dries translucent. May be applied over satin and bright stainless steel as well as powdercoated and plated finishes. Container is .9 pint.



# Shower Rod Tubing



Shower rod tubing is available in either stainless steel type 304 or brass alloy CDA 274 in a variety of diameters and gauges. To minimize scratches, fingerprints and watermarks, satin finish is recommended for either metal. Economy shower rods are available in bright mill finish aluminum.

Standard lengths of tubing for shower rods (custom lengths readily available)

36" (914mm)	48" (1219mm)	72" (1829mm)	96" (2438mm)
42" (1067mm)	60" (1524mm)	84" (2134mm)	

Stainless steel shower rods are available in satin or bright finish. The top rod features Q/CS-1 Series with 1 1/4" O.D. satin tubing and round concealed screw flanges, SC Nylon shower curtain in white and SC-HX stainless steel hooks. The bottom rod features S-1060/SH-1 Series with 1" O.D. bright finish slotted rod tubing with chrome plated steel hooks, exposed screw flanges and SCFR Flame-Resistant shower curtain in oatmeal.

Stainless Steel Shower Rod Tubing Model Numbers							Brass Shower Rod Tubing Model Numbers			
Tubing Diameter	18 ga. (1.2mm)		20 ga. (.9mm)		28 ga. (.4mm)		16 ga. (1.7mm)	16 ga. (1.7mm)	18 ga. (1.2mm)	18 ga. (1.2mm)
	Finish	Satin	Bright	Satin	Bright	Bright	Satin	Bright	Satin	Bright
1"	S-106(49)	S-106(49)/B	S-106(35)	S-106(35)/B	S-106(15)/B	S-1060(22)/B	S-106(62)/SB	S-106(62)/BB	S-106(49)/SB	S-106(49)/BB
1 1/4"	Q-106(49)	Q-106(49)/B	Q-106(35)	Q-106(35)/B	N/A	N/A	Q-106(62)/SB	Q-106(62)/BB	Q-106(49)/SB	Q-106(49)/BB

## Stainless Steel Shower Rod Flanges

Base Plate = 14 gauge, Cover = 20 gauge (2.1 & .9mm) except where noted. Screws not included. Please see page 23 for fasteners.

**Round Exposed Screw**

**S-SH-1** - 1" Satin S/S  
**Q-SH-1** - 1 1/4" Satin S/S  
**S-SH-1/B** - 1" Bright S/S  
**Q-SH-1/B** - 1 1/4" Bright S/S

**Neo-Angle Round Exposed Screw**

**S-SH-45** - 1" Satin S/S  
**Q-SH-45** - 1 1/4" Satin S/S  
**S-SH-45/B** - 1" Bright S/S  
**Q-SH-45/B** - 1 1/4" Bright S/S

**Round Concealed Screw**

**S-CS-1** - 1" Satin S/S  
**Q-CS-1** - 1 1/4" Satin S/S  
**S-CS-1/B** - 1" Bright S/S  
**Q-CS-1/B** - 1 1/4" Bright S/S

**Rnd Concealed Screw w/ Sleeve**

**S-CS/SLEV** - 1" Satin S/S  
**Q-CS/SLEV** - 1 1/4" Satin S/S  
**S-CS/SLEV/B** - 1" Bright S/S  
**Q-CS/SLEV/B** - 1 1/4" Bright S/S

**Square Concealed Screw**

**S-FS-1** - 1" Satin S/S  
**Q-FS-1** - 1 1/4" Satin S/S  
**S-FS-1/B** - 1" Bright S/S  
**Q-FS-1/B** - 1 1/4" Bright S/S

**Round Concealed Screw**

Internally threaded sleeve screws onto the base that is attached to wall. Set screw on one end.

**S-SH-2** - 1" Satin Chrome Brass

## Brass Shower Rod Flanges

Base Plate = 14 gauge, Cover = 20 gauge (2.1 & .9 mm) except where noted.

**Round Concealed Screw**

**S-CS-1/SB** - 1" Satin  
**Q-CS-1/SB** - 1 1/4" Satin  
**S-CS-1/BB** - 1" Bright  
**S-CS-1/BB** - 1" Bright

## Economy Shower Rods

**Adjustable Twist-In Flange**

No screws necessary to install. Twists clockwise to tighten to wall.

**S-SH-5/Z** - 1" Bright Chrome Zamac  
**S-SH-5/P** - 1" Bright Chrome Plastic

**Round Concealed Screw with Sleeve**

**S-CS-SLEV/PLSB** - 1" Plated Satin  
**Q-CS-SLEV/PLSB** - 1 1/4" Plated Satin  
**S-CS-SLEV/PLBB** - 1" Plated Bright  
**S-CS-SLEV/PLBB** - 1" Plated Bright

**Aluminum Shower Rod Tubing**

1" x .015 (28 ga.) Bright Mill Finish

S-106(15)/A @ 60"  
 S-106(15)/A @ 72"



# Ceiling Supports and 90° Shower Rods

Type 304 stainless steel is standard; add suffix /B for bright stainless, /BB for bright brass and /SB for satin brass. Recommended for any shower rod length over 60".

**C-7**  
**Sleeve Ceiling Support**  
**S-C-7** - 1" Dia.  
**Q-C-7** - 1 1/4" Dia.

Recommended for rods over 60". Standard height is 12"; custom heights available. Requires two shower curtains. Movable sleeve fits over shower rod tubing. Concealed screw CS-1 flange, all welded construction. Satin finish is standard; add suffix /B for bright finish. Not available in brass.



S-C-7/B

**3060/C-7**  
**Corner Shower Curtain Rod with Sleeve Ceiling Support**  
**S-3060/C-7** - 1" Dia.  
**Q-3060/C-7** - 1 1/4" Dia.

Movable ceiling support with sleeve requires two shower curtains. Includes welded CS-1 at each end and ceiling. Modifications of all kinds are available from the basic 30" x 60" design (762x1524mm), including different dimensions for legs or ceiling height, custom radii, etc.



S-3060/C-7 with SC nylon curtains in red.

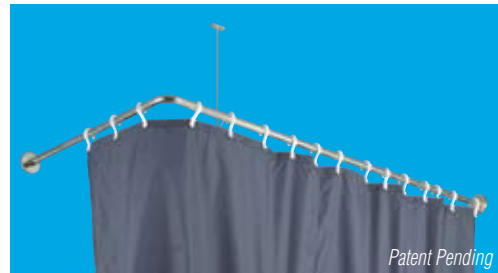
**C-8**  
**"J" Ceiling Support**  
**S-C-8** - 1" Dia.

Recommended for rods over 60". Standard height is 12"; custom heights available. Allows one shower curtain to be used, but only with PC-HX hooks. Available for 1" tubing only (25mm). Saddle attaches to shower rod with two set screws. For stainless steel, diamond-shaped 14 gauge flange is welded to 1/4" rod (2.1 x 6.4 mm). For brass, rectangular 12 gauge flange is welded to 1/4" rod (2.8 x 6.4 mm).



**3060/C-8**  
**Corner Shower Curtain Rod with "J" Ceiling Support**  
**S-3060/C-8** - 1" Dia.

Same as 3060/C-7 except under-slung ceiling support is welded to tubing, allowing one shower curtain to be used (requires PC-HX hooks). Shipped in components to prevent damage in transit.



S-3060/C-8/BB with SC nylon curtain in navy. Patent Pending

# Shower Curtains and Hooks

**TSM** curtains are available in three materials: Vinyl, Flame-Resistant and Nylon. Custom widths and heights are available. Specify curtains from 6" to 12" (152-305mm) wider than curtain rod. White is standard. Weights are sewn into the bottom hem of the nylon curtains (*not necessary for vinyl or flame-resistant.*)

Width	Height	Hooks Required
36" x 72"	7	
42" x 72"	8	
48" x 72"	9	
60" x 72"	11	
72" x 72"	13	
84" x 72"	15	

**SCV**  
**Vinyl Curtain**

Vinyl film .008 mil. Anti-bacterial and flame-retardant. White (standard), Translucent and Almond.

- SCV-36** - 36" x 72"
- SCV-42** - 42" x 72"
- SCV-48** - 48" x 72"
- SCV-60** - 60" x 72"
- SCV-72** - 72" x 72"
- SCV-84** - 84" x 72"



**SCFR**  
**Flame-Resistant Curtain**

Vinyl-laminated fiberglass with flame, static, bacteria and mildew resistance. White (standard), Oatmeal and Arabian Beige.

- SCFR-36** - 36" x 72"
- SCFR-42** - 42" x 72"
- SCFR-48** - 48" x 72"
- SCFR-60** - 60" x 72"
- SCFR-72** - 72" x 72"
- SCFR-84** - 84" x 72"



**SC**  
**Nylon Curtain**

Nylon shell cloth 150 denier. White (standard), Maize, Gold, Orange, Red, Hunter Green, Royal Blue and Black.

- SC-36** - 36" x 72"
- SC-42** - 42" x 72"
- SC-48** - 48" x 72"
- SC-60** - 60" x 72"
- SC-72** - 72" x 72"
- SC-84** - 84" x 72"



**SC-HX**  
**Stainless Steel**

Type 304 stainless steel wire, satin finish.



Fits 1" or 1 1/4" O.D.

**PC-HX**  
**Plastic**

Pear-shaped polystyrene hook.

White (standard), Clear, Wheat, Navy, Slate Blue, Forest Green, Maroon and Black.



Fits 1" O.D.

**PC-HX-R**  
**Plastic**

Same as PC-HX except round.

White (standard), Clear, Almond, Light Blue, Slate Blue, Dark Blue, Seafoam Green, Forest Green, Pink, Rose, Raspberry, Maroon, Melon and Black.



Fits 1" or 1 1/4" O.D.

# Cubicle Track



**TSM** cubicle track is provided with track, carriers, gates, stops and splices included. Curtains are available separately. Surface mounted track can be mounted directly onto finished ceiling, or recessed. Fastening of the track is to be made 36" on center (914mm) with #8 pan head screws or toggle bolts (fasteners not included).

Dual channel extruded aluminum track has a baked white enamel finish. Track dimensions are 1 3/8" x 3/4" deep x .062" wall (35 x 19 x 1.7mm). Track carriers are designed for fast, unimpeded movement; axle and wheel are virgin nylon, bead chain is nickel-plated brass and hook assembly is polished aluminum.

Curtains are flame-resistant, stain-resistant, anti-bacterial vinyl fabric with polyester reinforcement. Curtains include a 21" (533mm) high nylon mesh for sprinkler clearance as well as ventilation and light.

*There is a 2 1/2" clearance from the ceiling to the top of the curtain. Curtains should hang 9" -15" above finished floor. Contact the factory for custom curtain sizes.*

## Track and Accessories

### K Straight Track

Track only. Order gates, carriers, splices and stops separately.

- K-2** - 2' (610mm)
- K-3** - 3' (914mm)
- K-4** - 4' (1219mm)
- K-5** - 5' (1524mm)
- K-6** - 6' (1829mm)
- K-7** - 7' (2134mm)
- K-8** - 8' (2438mm)

### K-Gate



### K-Stop



### K-Hook Carrier



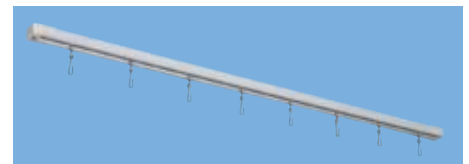
### K-Splice



## Track Sets

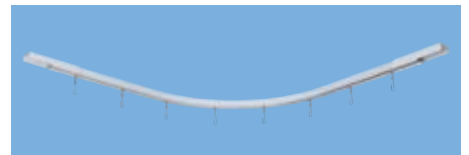
### K-8 Set Straight Track

Includes 8' track, one gate, one stop and 15 carriers.



### KE-22 Elbow Track

Includes track, nine carriers & two splices.  
24" x 24" (610 x 610mm)  
90° Elbow with 12" Bend Radius (305mm)



## KC Cubicle Track Curtains

Specify curtains at least 10% wider than track. Heights include nylon mesh.

WHITE	ALMOND	Height and Width	# of K-Hooks Req'd
<b>KC745-WH</b>	<b>KC745-ALM</b>	7' High x 4 1/2' Wide (2134x114mm)	<b>9</b>
<b>KC760-WH</b>	<b>KC760-ALM</b>	7' High x 6' Wide (2134x1829mm)	<b>12</b>
<b>KC775-WH</b>	<b>KC775-ALM</b>	7' High x 7 1/2' Wide (2134x2286mm)	<b>16</b>
<b>KC790-WH</b>	<b>KC790-ALM</b>	7' High x 9' Wide (2134x2743mm)	<b>18</b>
<b>KC845-WH</b>	<b>KC845-ALM</b>	8' High x 4 1/2' Wide (2438x114mm)	<b>9</b>
<b>KC860-WH</b>	<b>KC860-ALM</b>	8' High x 6' Wide (2438x1829mm)	<b>12</b>
<b>KC875-WH</b>	<b>KC875-ALM</b>	8' High x 7 1/2' Wide (2438x2286mm)	<b>16</b>
<b>KC890-WH</b>	<b>KC890-ALM</b>	8' High x 9' Wide (2438x2743mm)	<b>18</b>

# Closet Rods



Shelf not included.

## DB-1 Closet Shelf Bracket

Chrome plated steel. 1 1/8" wall to centerline of rod x 10 7/8" high (295 x 276mm).

Up to 6' Lengths Require 2 Brackets  
Lengths between 6'-9' Require 3 Brackets  
Lengths between 9'-12' Require 4 Brackets



## CQ Closet Rod Tubing

**CQ-6** - 6' (1829mm)  
**CQ-12** - 12' (3658mm)  
TSM will cut to fit as specified.  
1 3/16" O.D. x .080" Chrome plated steel.



## DF-Set

Includes one each DF-1 and DF-2. Both flanges are chrome plated brass, 2 3/4" round x 7/8" high (70 x 22mm).



DF-1 Closet Rod Flange



DF-2 Closet Rod Saddle

# Towel Bars

Type 304 stainless steel unless otherwise noted.

## 875 Heavy-Duty Towel Bar

- 875-CS** - Satin Finish
- 875-CB** - Bright Finish

Type 304 stainless steel. Round  $\frac{7}{8}$ " x 20 gauge (22 x .9mm) tubing with square snap-lock cover flanges and black plastic decorative end plugs.  
**Lengths:** 18", 24", 30", 36"



## 810 Square Towel Bar

- 810S** - Satin Finish
- 810B** - Bright Finish

Stainless steel type 304 tubing  $\frac{3}{4}$ " square x 20 gauge (19 x .9mm). Flanges match Field-Safe accessories on page 28.  
**Lengths:** 18", 24", 30", 36" (457,610,762,914mm)



## 811 Round Towel Bar

- 811S** - Satin Finish
- 811B** - Bright Finish

Stainless steel type 304 tubing  $\frac{3}{4}$ " round x 20 gauge (19 x .9mm). Flanges match Field-Safe accessories on page 28.  
**Lengths:** 18", 24", 30", 36"



## 877-S Heavy-Duty Towel Bar

- 877-18S** - 18" (457 mm)
- 877-24S** - 24" (610 mm)

Satin finish type 304 stainless steel. Round 1" x 20 gauge (22 x .9mm) tubing designed not to turn in support posts. Support posts are heavy brass with satin finish to match stainless steel tubing.



## S/CS-1 Extra Heavy-Duty Towel Bar

- S-18/CS-1** - 18" (457 mm)
- S-24/CS-1** - 24" (610 mm)

Satin finish type 304 stainless steel. Round 1" x 18 gauge tubing (22 x 1.2mm). Concealed mounting with snap flange.



## Q/CS-1/BP Extra Heavy-Duty Towel Bar

- Q-18/CS-1/BP** - 18" (457 mm)
- Q-24/CS-1/BP** - 24" (610 mm)

Type 304 stainless steel with peened grip and bright polished ends and flanges. Round  $1\frac{1}{4}$ " x 18 gauge tubing (22 x 1.2mm). Concealed mounting with snap flange.

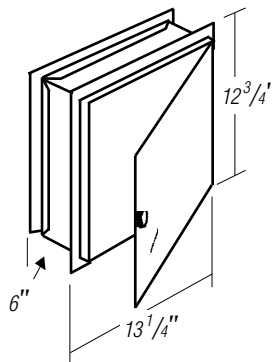
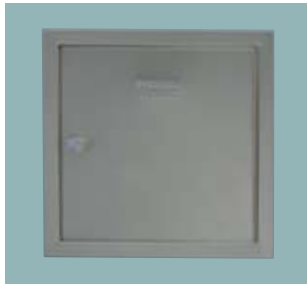


# Specimen Cabinet

## 885 Pass-Through Specimen Cabinet

Provides a private passageway from patient area into laboratory. Lock prevents doors from both sides being opened at the same time. Satin finish type 304 stainless steel, 22 gauge (0.7 mm). Removable stainless steel tray. Accommodates wall thickness from  $1\frac{3}{4}$ " to  $5\frac{1}{2}$ " (45 to 135mm).

**Wall Opening:** 12" W x  $11\frac{1}{4}$ " H (305 x 285mm)



# Bed Pan Racks

## 880, 882, 884 Surface-Mounted Bed Pan Racks

- 880** - Holds one bed pan  
12" W x 11"H
- 882** - Holds two bed pans (not shown)  
12" W x 27"H
- 884** - Holds one bed pan & one urinal bottle  
12" W x 27"H

Satin finish type 304 stainless steel. Holds conventional size bed pans.



880



884

# Diaper Changing Table

## 5164 Diaper Changing Table

Surface-mounted horizontal design allows the baby to roll only toward the wall or the changing parent. Nylon safety strap with clip lock fastener holds baby on concave bed. A pneumatic air pump with oversized hinge controls lowering the table into place and raising it to the upright closed position. Constructed of high-density polyethylene with rounded corners for safety as well as easy cleaning. Includes built-in dispenser for towels or sanitary liners, hooks for diaper bag and purse, and multi-lingual instructions. Capacity: 250 lbs.

**Overall Size Closed:** 22  $\frac{1}{4}$ " H x 35  $\frac{7}{8}$ " W x 3  $\frac{7}{8}$ " Deep (570 H x 920 W x 100 D mm)  
**Overall Size Open:** 22  $\frac{1}{4}$ " H x 35  $\frac{7}{8}$ " W x 20  $\frac{3}{8}$ " Deep (570 H x 920 W x 520 D mm)



# Paper Cup Dispenser

## 5285 Surface-Mounted Paper Cup Dispenser

Dispenses 100 flat-bottom cups; adjustable for 3 oz. through 6 oz. cups. Square design with swing-down door. Satin finish type 304 stainless steel.

**Overall Size:** 3  $\frac{1}{8}$ " Square x 14" High (79 x 356 mm)



## Security Mirrors

**F**or correctional, psychiatric, school, park and service stations, TSM recommends security accessories. Satin and glass-blasted finishes provide easy maintenance. Units have continuous welding for tamper-resistance.

### M-032-R Framed Security Mirror Rear Mounting

Frame is satin finish type 304 14 gauge (2.1mm) stainless steel with corners welded and ground smooth. Unit has fiberboard backing and 6 "T" nuts welded on back for rear mounting. Specify if wall thickness is greater than 6" (50 mm).

**Overall Size:** 12" x 16" x 5/8" (305 x 405 x 16 mm)

*Glazing Options:*

- M-032-R-B** - Very good reflective quality. Type 304 20 gauge (.9mm) stainless steel, #8 polished finish.
- M-032-R-BA** - Good reflective quality. Type 430 stainless steel, bright annealed finish.



*Not Shown:*

### M-032-F Framed Mirror Front Mounting

Frame is satin finish type 304 14 gauge (2.1mm) stainless steel with corners welded and ground smooth. Unit has TORX vandal-resistant 1/4"-20 x 2" (50 mm) machine screws for front mounting.

**Overall Size:** 12" x 16" x 5/8" (305 x 405 x 16 mm)

*Glazing Options:*

- M-032-F-B** - Very good reflective quality. Type 304 20 gauge (.9 mm) stainless steel, #8 polished finish.
- M-032-F-BA** - Good reflective quality. Type 430 stainless steel, bright annealed finish.

### M-30-F Integral Frame Mirror with Rounded Corners Front Mounting

One piece #8 mirror polish finish type 304 18 gauge (1.2 mm) formed stainless steel. Unit is one-piece construction with rounded corners and six mounting holes.

**Overall Size:** 12" x 16" x 1/4" (305 x 405 x 6 mm)

*Not Shown:*

**M-30-R** - Rear mounting; unit has 6 "T" nuts welded on back.



## Recessed Soap Dish

### 828-D Recessed Soap Dish Rear Mounting

Type 304 16 gauge satin finish stainless steel (1.7 mm). One-piece drawn construction with beveled trim and embossments for air circulation and drainage. Two "T" nuts welded on back for rear mounting.

**Wall Opening:**  
6 1/2" x 5" wall thickness  
(165 x 130 mm)

**Overall Size:**  
7 3/8" x 6" (187 x 152mm)



## Security Toilet Paper Holders

### 869-A Recessed Square Toilet Paper Holder Rear Mounting

Type 304 14 gauge stainless steel (2.1 mm). Exterior satin finish, interior glass-blasted satin finish. Interior depth 4 1/2" (115 mm) holds one standard toilet paper roll. Hidden contraband causes roll to project from holder, allowing detection. Two "T" nuts welded on back for rear mounting.

**869-A Wall Opening:** 5 1/2" diameter (140 mm) x wall thickness.

**Overall Size:** 7" x 7" (179 x 179mm)



*Not Shown:*

**869-C** - Same as 869-A without square flange.

**Wall Opening:** 6" (152mm) diameter.

### 864 Post Toilet Paper Holder Front Mounting

Type 304 18 gauge satin finish stainless steel (1.2 mm), 1 1/4" O.D. (32 mm). R-3 flange is 3" diameter, 1/8" thick with three countersunk holes for front mounting (76 x 3 mm).

**Overall Size:** 4 1/2" x 3 3/4" projection (115 x 95 mm)



### 865-P Folded Toilet Tissue Holder Front Mounting

Satin finish type 304 14gauge (2.1 mm) stainless steel. Open design for detection of contraband. Provided with 4 mounting holes for front mounting.

**Overall Size:** 4 3/4" x 9" x 2 3/4" (120 x 230 x 70 mm)



## Security Grab Bars

**S**ecurity grab bars are designed to prevent suicides and therefore are recommended for prisons and psychiatric facilities. The grab bars are theft-resistant and cannot be removed from the wall easily and then used as a weapon. The tubing is welded at a 7° angled slope so that any material thrown around the bar will tend to slide off. Type 304 stainless steel satin finish 16 gauge tubing is available in 1 1/4" or 1 1/2" (32 or 38mm). 16 gauge sheet (1.7mm) extends from underside of the grab bar to the wall, welded on three sides.

### 867 Security Grab Bar In-Wall

Designed for new construction. Bar is welded to 8 gauge back plate (4.2mm) which is welded or bolted to building studs.  
**Lengths:** 24", 36" and 42" (610, 914 & 1067mm).

**Q-867 - 1 1/4" O.D.**  
**H-867 - 1 1/2" O.D.**



### 867/R-3 Security Grab Bar Surface Mounting

Tubing is welded to round 8 gauge R-3 flanges (4.2mm). One-way screws available from manufacturer (order separately).  
**Lengths:** 24", 36" and 42" (610, 914 & 1067mm).

**Q-867/R-3 - 1 1/4" O.D.**  
**H-867/R-3 - 1 1/2" O.D.**



### 867-Z Security Grab Bar Rear Mounting

Tubing is welded to round 8 gauge R-3 flanges (4.2mm); each flange has three 1/4"-20 x 6" long threaded rods.  
**Lengths:** 24", 36" and 42" (610, 914 & 1067mm).

**Q-867-Z - 1 1/4" O.D.**  
**H-867-Z - 1 1/2" O.D.**

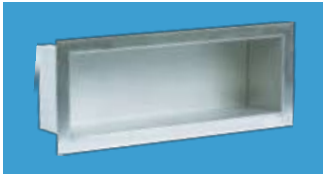


## Security Shelves & Hooks

### 845-A Recessed Shelf Rear Mounting

Satin finish 16 gauge (1.7 mm) type 304 stainless steel; interior glass-blasted satin finish. Corners welded and ground smooth; beveled trim 1" wide (25mm). Four studs welded on back for rear mounting.

**Wall Opening:** 16 1/2" x 5 1/2" (420 x 140mm) x wall thickness



### 866-AF Square Security Clothes Hook Front Mounting

When excessively loaded, hook will snap down for safety. Satin finish 12 gauge (2.8 mm) type 304 stainless steel. Back plate is 14 gauge stainless steel (2.1 mm) with four holes for front mounting.

**Overall Size:** 4 1/4" x 4 1/4" x 2 1/8" (110 x 55mm)

*Not Shown:*

### 866-AR Rear Mounting

Same as 866-AR, but four studs welded on back for rear mounting.



### 866-CF Security Clothes Hook Front Mounting

When excessively loaded, hook will snap down for safety. Satin finish type 304 stainless steel. Bracket is 11 gauge (3.1 mm) and hook is 7 gauge (1.1 mm). Unit has four holes through flange for front mounting.

**Overall Size:** 4" x 5" x 3 1/16" (75 x 130 x 80mm)

*Not Shown:*

### 866-CR Rear Mounting

Same as 866-CF, but has four studs welded to back for rear mounting.



### 896-18 Clothes/Towel Hook Strip Front Mounting

When excessively loaded, hook(s) will snap down for safety. Satin finish type 304 stainless steel. Wall plate is 14 gauge (2.1 mm) with beveled edges; brackets are 11 gauge (3.1 mm); four hooks are 7 gauge (1.1 mm). Unit has six mounting holes through back for front mounting.

**Overall Size:** 18" Long x 5 1/2" High x 3 1/8" Projection (460 x 140 x 80mm)



### 896-H-18 Bookshelf/Clothes Hook Strip Front Mounting

When excessively loaded, hook(s) will snap down for safety. Satin finish type 304 stainless steel. Bookshelf and back plate are 14 gauge (2.1 mm); brackets are 11 gauge (3.1 mm); four hooks are 7 gauge (1.1 mm). Unit has six mounting holes through back for front mounting.

**Overall Size:** 18" Long x 11" High x 8" Deep (460 x 280 x 200mm)



### 897-18 Clothes/Towel Hook Strip Front Mounting

When excessively loaded, hook(s) will snap down for safety. Satin finish type 304 stainless steel; four hooks are 12 gauge (2.8 mm). Back plate is 14 gauge (2.1 mm). Unit has six mounting holes through back for front mounting.

**Overall Size:** 18" Long x 5 1/2" High x 2 1/8" Projection (460 x 140 x 55mm)



### 897-H-18 Bookshelf/Clothes Hook Strip Front Mounting

When excessively loaded, hook(s) will snap down for safety. Satin finish type 304 stainless steel with seams welded and ground smooth. Shelf and back plate are 14 gauge (2.1 mm); four hooks are 12 gauge (2.8 mm). Unit has six mounting holes through back for front mounting.

**Overall Size:** 18" Long x 11" High x 8" Deep (460 x 280 x 200mm)



# Number Guide

Model Number	Description	Page
12 - 54	Basic Straight Bars	18
36M - 108M	Straight Bars with Mid Supports	18
42CM - 54CM	Corner-Mount Straight Bars	18
106	Tubing	32
202	Urinal Bar	22
230	Sitz Bath Bar	22
310 - 830C	TP Holders	10, 11
483 - 483/C-70	Wraparound Bars	22
714	Recessed Folding Shower Seat	N/A
730 - 750	Shower & Tub Seats	24, 25
801 - 816	Field-Safe Accessories	28
821 - 828	Recessed Soap Dishes	27
828D	Recessed Soap Dish	36
832	Hockey Stick	19
840 - 840-CT	Signs	26
842 - 844	Hotel Towel Holders	29
845	Recessed Shelf	29
845-A	Recessed Shelf, Rear Mounting	37
846	Folding Utility Shelf	29
859	Clothes Hook	27, 29
860	Coat & Bumper Hook	27, 29
861, 862	Clothes Hooks	27, 29
868S	Facial Tissue Dispenser	29
864 - 869-C	Security Toilet Paper Holders	36
866-AF - 866-CR	Security Clothes Hooks	37
867 - 867-Z	Security Grab Bars	37
870-Q	Bottle Opener	29
871	Clothesline	29
873 - 874	Recessed Facial Tissue Dispensers	29
875-C	Heavy-Duty Towel Bar	35
877-24S	Heavy-Duty Towel Bar	35
880 - 884	Bed Pan Racks	35
885	Pass-Through Specimen Cabinet	35
891 - 894	Custodial Shelves	29
895	Hat & Coat Hook	27, 29
896-18, 897-18	Clothes/Towel Hook Strips	37

Model Number	Description	Page
896-H-18, 897-H-18	Bookshelf/Clothes Hook Strips	37
901, 901-PD	Swingaway Bars	19
900 - 923	Zamac Accessories	28
1060	Slotted Rod	32
1220	Boomerang Bar	19
1236	Wall Suspended Tub Bar	20
1632, 1632M	Horizontal/Vertical Bar	21
1818-T - 1818-FM-3	Toilet Bars	18
1833, 1833WX	Drinking Fountain Bars	22
2010	Tub Entry Bar	20
2020	Combination Bar	19
2040, 2040M	Horizontal Corner Bar	21
2040V	Horizontal Corner Bar with Vertical Arm	20
2228-S	Floor-Mounted Straddle Bar	19
2245	Inclined Bar	19
2424-S - 2424-SN	Straddle Bars	19
2424-V	Shower Bar with Vertical Arm	22
2430-S	Wall-to-Floor Straddle Bar	19
3012, 3012-PD	Swingup Bars	19
3033 - 3033Y	Wall-to-Floor Bars	18
3060	Corner Shower Curtain Rod	33
3236, 3236C	Floor-Mounted Tub Bars	20
3636V	Tub/Shower Bar	20
5100 - 5115	Napkin/Tampon Vendors	7
5134 - 5152	Napkin Disposals	7
5164	Diaper Changing Table	35
5200 - 5354	Towel Dispensers and Waste Receptacles	4 - 7
5285	Paper Cup Dispenser	35
5310 - 5315	Toilet Seat Cover Dispensers	9
5360 - 5369	Partition-Mounted Combination Units	8, 9
5410 - 5428	Medicine Cabinets	27
5915	Push Button Hand Dryer	9
5950	Sensor Hand Dryer	9
6005 - 6095	Partition Hardware	26
6011	Floor-to-Ceiling Grab Bar	22
20102	Anti-Slip Coating	31

# Letter Guide

Model	Description	Page
A	Suffix for Cushion	24, 25
ASLP	Suffix for Anti-Slip Coating	14, 16
B	Suffix for Stainless Steel Bright Finish	14, 16
BB	Suffix for Bright Brass	17, 32
BB/CL	Suffix for Bright Brass with Clear Coat	17
BN	Prefix for Bull-Nose Corner Guard, 3/4" Radius	30
C-7, C-8	Shower Rod Ceiling Supports	33
CL	Suffix for Clear Coat	17
CM	Suffix for Corner Mount Grab Bar	18
CP-11848L - CP-2596L	Lexan Corner Guards	31
CP-1500 - CP-3500	Corner Guards	30
CC-C, CC-W	Column Covers	30
CP-H	Hemmed-Edge Corner Guard	31
CP-Z1, CP-Z2	Z-Bend Corner Guards	31
CQ	Closet Rod Tubing	34
CS, CS-1, CS-15	Concealed Screw Snap-Lock Flange	15, 32
CS-3, CS-35	Concealed Screw Snap-Lock Flange	15
CS-5	Concealed Screw Set Screw Flange	15
CSK	Suffix for Countersunk Corner Guards	30
D-1, D-3	Diamond-Shaped Flanges	15
DB-1 - DF-2	Closet Rod Accessories	34
DS-724	Door Frame Saver	31
EW	End Wall Guard	30
FS-1	Square Concealed Screw Snap-Lock Flange	15, 32
GBW-40	Winglt Fastener	23
H	1-1/2" O.D.	14
H-867 - H-867-Z	Security Grab Bars	37
K	Suffix for Knurled Finish	14, 16
K-2 - K-8	Cubicle Track	34
KC-745 - KC-890	Cubicle Track Curtains	34
KE-22	Elbow Track	34
M-1 - M-28	Mirrors	13
M-032-F - M-30-R	Security Mirrors	36
MOS - MS	Mirror Shelves	13
P	Suffix for Peened Finish	14, 16
PC-HX, PC-HX-R	Plastic Shower Hooks	33

Model	Description	Page
PLAT	Suffix for Plated Finish	14, 16
PLBB	Suffix for Plated Bright Brass	17
POWD	Suffix for Powdercoated Finish	14, 16
Q	1-1/4" O.D.	14, 32
Q-867 - Q-867-Z	Security Grab Bars	37
Q-3060/C-7	Corner Shower Rod	33
Q-SH-1 - Q-SH-45	1-1/4" Shower Rod Flanges	32
Q-CS-1	1-1/4" Flange	15, 32
Q-CS/SLEV	1-1/4" Shower Rod Flange, Sleeved	32
Q-FS-1	1-1/4" Flange	15, 32
Q-C-7	Ceiling Support	33
R-1	Round Exposed Screw Flange	15
R-3	Round Exposed Screw Flange	15
S	1" O.D.	14, 32
S5 - S8	Shelves	29
S-3060/C-7, S-3060/C-8	Corner Shower Rods	33
SB	Suffix for Satin Brass	17, 32
S-SH-1 - S-SH-45	1" Shower Rod Flanges	32
S-SH-5	Adjustable Twist-In Flange	32
S-CS-1	1" Flange	15, 32
S-CS/SLEV	1" Shower Rod Flange, Sleeved	32
S-CURV	Curved Shower Rod	33
S-FS-1	1" Flange	15, 32
SC, SCFR, SCV	Shower Curtains	33
S-C-7, S-C-8	Ceiling Supports	33
SC-HX	Stainless Steel Shower Curtain Hook	33
SD-5 - SD-50	Soap Dispensers	12
SD-VT	Retrofit Soap Valve	12
SH, SH-1, SH-45	Exposed Screw Shower Rod Flanges	32
SLEV	Concealed Screw Shower Rod Flange, Sleeved	32
-TM	Theft-Resistant Spindle	11
WS-304K, WS-430K	Stainless Steel Kickplates	31
WS-BBK	Brass Kickplates	31
X	Suffix for 16 Gauge Corner Guards	30
XX	Suffix for 14 Gauge Corner Guards	30
Z-1, Z-2	Suffix for Z-Bend Corner Guards	31

## CATALOG 825 CONSTRUCTION DIVISIONS

10260/Wall and Corner Guards • 10810/ Toilet Accessories • 10820/ Bath Accessories



## MORE TSM CATALOGS...

*In addition to washroom accessories, TSM offers an extensive line of other products listed below:*

### Catalog 804

#### Railings in Stainless Steel, Brass, Bronze and Aluminum

- Division 05586: Architectural Metalwork
- Division 05520: Handrails and Railings
- Division 05720: Ornamental Handrails and Railings

Handrails, Guardrails and Railing Systems for Stairs, Ramps, Mezzanines, etc.

Extensive off-the-shelf Component Railing Systems for Field Assembly,  
Shipped from Stock

Custom Fabrication of Small to Monumental Railing Projects  
and Architectural Metalwork

### Catalog 807

#### Swimming Pool Ladders and Entry Rails

- Division 13152: Swimming Pools and Equipment

Ladders, Handrails, Guard Rails, Grab Rails,  
Stanchions

Standard Stock Items and  
Custom Designs

**Warehouses in California, Missouri, New Jersey and Washington**

# TSM

**Tubular Specialties Manufacturing, Inc.**

P.O. Box 60262, Los Angeles, CA 90060-0262, USA

13011 South Spring Street, Los Angeles, CA 90061-1685, USA

e-mail: [tsm@calltsm.com](mailto:tsm@calltsm.com)

[www.grabbar.com](http://www.grabbar.com)

**TOLL FREE: 800/GRAB BAR (800/472-2227) • 310/515-4801 • FAX: 310/217-0653**