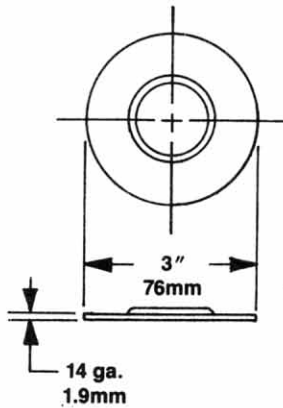
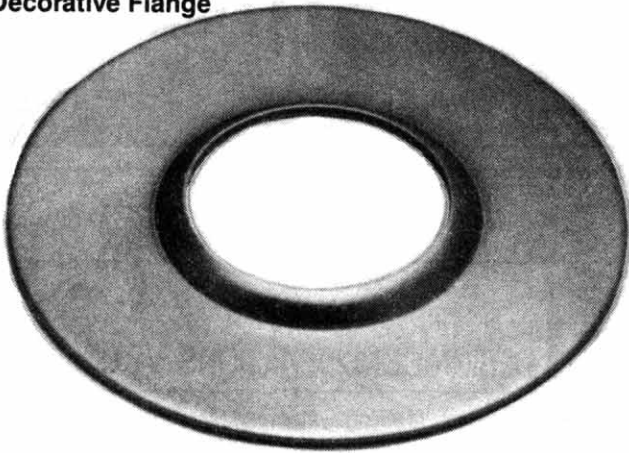
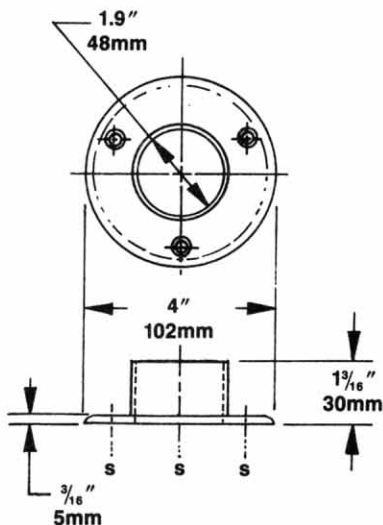
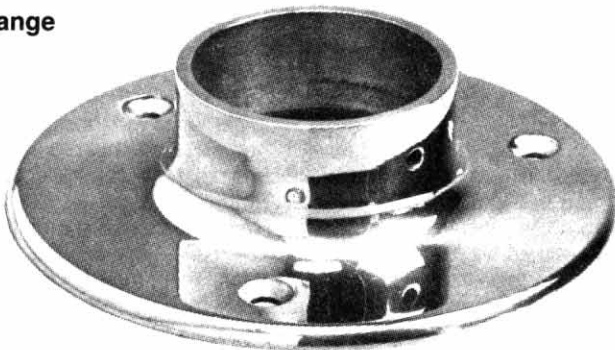


**Model # R-1D
Decorative Flange**



**Model # SF-4
Flange**



**SUGGESTED ARCHITECTURAL
SPECIFICATION**

TSM model _____ (fill in model number) Upright Railing from Tubular Specialties Manufacturing, Inc., Los Angeles, California, (213) 515-4801. Tubing: stainless steel Type 304 (18-8) 16 gauge (1.5mm) x _____ (SELECT ONE: 1-1/4" [32mm] with 1-1/2" [38mm] radius; 1-1/2" [38mm] with 2" [51mm] radius; OR 1.9" [48mm] with 4" [102mm] radius). Finish: _____ (select from Finish Schedule). Construction: bends are formed with mandrel bending equipment. Maximum one-piece length is 10' (3048mm); longer sections are formed by butting tubing together and joining together with an internal dowel to form a hairline joint. Posts: evenly spaced at maximum 60" (1524mm) intervals. _____ (One, Two or Three) horizontal lines. Installation Hardware: internal dowel and _____ (epoxy or Dimpling Tool).



MATERIALS/WORKMANSHIP

Tubing—Stainless steel Type 304 (18-8) 16 gauge (1.5mm). Available in 1-1/4" (32mm), 1-1/2" (38mm), or 1.9" (48mm) O.D. Bends are formed with mandrel bending equipment. Standard radius is 1-1/2" (38mm) for 1-1/4" (32mm) tubing, 2" (51mm) for 1-1/2" (38mm) tubing, and 4" (102mm) for 1.9" (48mm) tubing. Maximum one-piece length is 10' (3048mm).

R-1D Flanges (for 1-1/4" [32mm] and 1-1/2" [38mm] O.D. tubing)—Stainless steel Type 304 (18-8) 14 gauge (1.9mm), stamped construction. No screw holes. Decorative only; after being placed on top of wet cement, it is held in place by capillary action between the grout and flange.

SF-4 Flanges (for 1.9" [48mm] O.D. tubing)—Stainless steel Type 304 (18-8) 8 gauge (4.1mm) surface mounted base flange with a 1" (25mm) sleeve and three 1/4" (6mm) countersunk screw holes. Decorative only (see R-1D), although screws are provided by TSM for appearance.



INSTALLATION

Core a hole in surface 1" (25mm) in diameter larger than tubing and 6" (152mm) deep. Position post in hole, keep upright with wedges and fill hole 3/4 with quick-dry, non-shrink grout (not supplied by TSM). Remove the wedges when the grout has partially set. Fill remainder of hole with grout and place flange in grout while it is still wet.

TSM has available for rental or purchase a unique tool to facilitate quick installation, the model 4499-T Dimpling Tool. It encircles the tubing and with a hand-operated leverage action forms a dimple in the underside of the tubing and into the internal dowel.

Number of HORIZONTAL LINES

		1	2	3
O.D.	1 1/4"	U-125-1	U-125-2	U-125-3
	1 1/2"	U-150-1	U-150-2	U-150-3
	1.9"	U-200-1	U-200-2	U-200-3