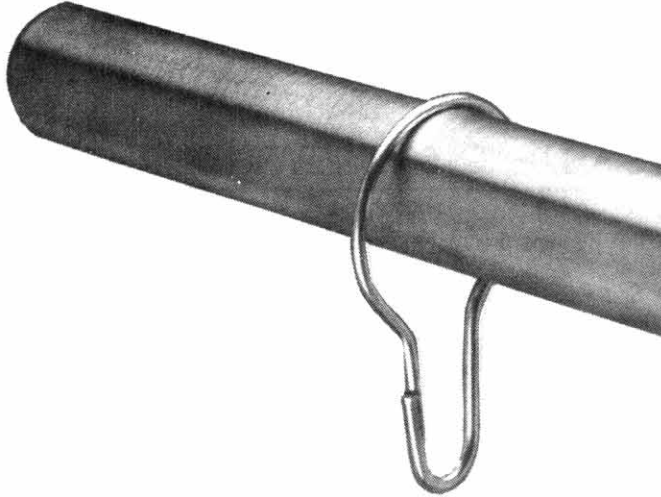


TSM

TUBULAR SPECIALTIES MFG., INC.

13011 S. SPRING ST., LOS ANGELES, CA 90061-1685 • 213/515-4801 TOLL FREE 800/421-2961 CA ONLY 800/521-7548
DESIGNER SERVICE: 7:00 A.M. TO 5:00 P.M. PACIFIC TIME • TELEX II: 910-346-6362 • FAX: 213/217-0653

SC-HX



STAINLESS STEEL SHOWER CURTAIN HOOK



DESIGN CONSIDERATIONS

- TSM also offers shower curtains in vinyl, nylon and flame-resistant materials as well as shower rods of many varieties, including exposed and concealed flange models, slotted rods, corner configurations, etc., to accompany its shower curtain hooks.



OPERATION

Insert hooks into shower curtain grommets and loop over rod.



SUGGESTED ARCHITECTURAL SPECIFICATION

TSM model SC-HX Stainless Steel Shower Curtain Hook from Tubular Specialties Manufacturing, Inc., Los Angeles, California, (213) 515-4801. Construction: stainless steel Type 304 (18-8) wire $3/32$ " (2mm) in diameter, formed to fit 1" (25mm) and 1-1/4" (32mm) O.D. shower rods. Finish: satin.



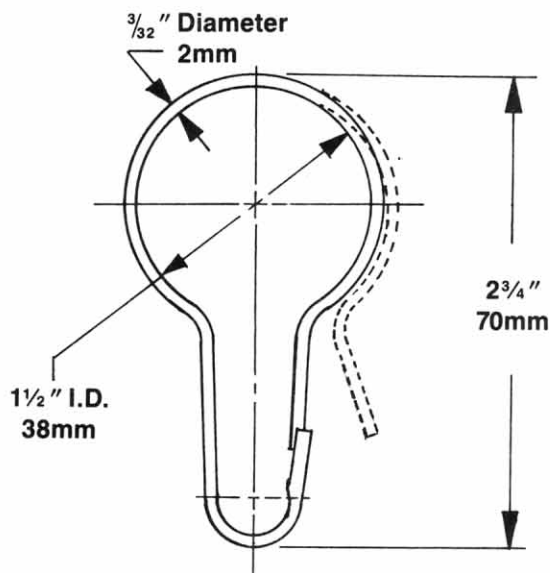
MATERIALS/WORKMANSHIP

Hook—Stainless steel wire with satin finish, Type 304 (18-8) $3/32$ " (2mm) in diameter. Hook is formed into pear shape 1-1/2" (38mm) wide at top to slide over 1" (25mm) or 1-1/4" (32mm) O.D. shower rods.



DISTRIBUTION

TSM maintains a worldwide network of distributors. Call your sales representative listed in Reference Section O for the names of those nearest you.



 **GUARANTEED PRODUCT**
SEE PAGE 3 FOR COMPLETE DETAILS