

TSM

TUBULAR SPECIALTIES MFG., INC.

13011 S. SPRING ST., LOS ANGELES, CA 90061-1685 • 213/515-4801 TOLL FREE 800/421-2961 CA ONLY 800/521-7548
 DESIGNER SERVICE: 7:00 A.M. TO 5:00 P.M. PACIFIC TIME • TELEX II: 910-346-6362 • FAX: 213/217-0653

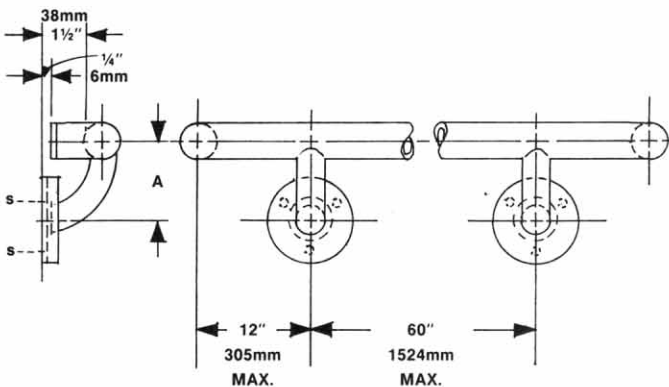
RU/T-95/CS-1

CUSTOM CORRIDOR RAILING WITH UNDERSLUNG SUPPORTS, PLUGGED ENDS AND CONCEALED SCREW FLANGES



DESIGN CONSIDERATIONS

- TSM stainless steel railings are suitable for indoor as well as outdoor applications. And, unlike many woods, plastics and aluminum, stainless steel's beauty actually improves with use. The natural oils in the hands that use the railing will give it a beautiful, lustrous polish.
- TSM custom railing is made to fit the particular wall dimensions of individual buildings. Each railing section is labeled, making installation fast and simple.
- In multi-story buildings, care should be taken to ensure that the longer pieces of railing will either fit in elevators, or can be maneuvered up stairways, over any outside balconies, or through outside windows.
- Underslung brackets offer a smooth, uninterrupted support rail for ambulatory patients.
- See Reference Section G for Corridor Railing Field Measuring Guide.
- In addition to corridor railings, TSM has the capability of producing custom stainless steel balcony railings and crowd control rails. Round stainless steel tubing is available in 1" (25mm), 1-1/4" (32mm), 1-1/2" (38mm), and 1.9" (48mm) O.D., including items with 12" (305mm) or larger radii.
- TSM can also produce specially designed stainless steel exercise bars, pool and spa entry bars, elevator rails, ballet bars, floor to ceiling bars and bicycle racks. Please contact the factory with questions regarding custom designs.
- All TSM corridor railings have been tested to withstand pulls in excess of 500 pounds (227.3kg) when properly installed. Test results are available on request.
- TSM recommends that railings for marine, pool or spa applications be specified in a bright polished finish to resist oxidation (add suffix "B" to model number). TSM also offers Type 316 stainless steel for extra protection against oxidation.
- It is important to evaluate wall conditions, for any railing is only as strong as the anchoring devices and the wall on which it is mounted. TSM recommends in-wall backing (see Installation, Reference Section C).
- TSM recommends that stainless steel handrail work be specified in a separate subsection of Division 5, "Metals," to ensure competent and competitive bids from experienced railing suppliers.
- See Reference Section H for TSM's Quick Guide to Stainless Steel Custom Corridor Railing.



TUBING	A
1"	2 5/8" 67mm
1 1/4"	2 7/8" 73mm
1 1/2"	3 1/16" 78mm

✓ GUARANTEED PRODUCT
 SEE PAGE 3 FOR COMPLETE DETAILS

MODEL NUMBERS (select one)

- RU-100/T-95/CS-1**—1" (25mm) Tubing
- RU-125/T-95/CS-1**—1-1/4" (32mm) Tubing
- RU-150/T-95/CS-1**—1-1/2" (38mm) Tubing



FINISH (select one)

- #4 Satin (standard)
- Other (additional charge; see Finish Schedule, Reference Section A, for options)



SUGGESTED ARCHITECTURAL SPECIFICATION

TSM model _____ (fill in model number) Custom Corridor Railing from Tubular Specialties Manufacturing, Inc., Los Angeles, California, (213) 515-4801. Tubing: stainless steel Type 304 (18-8), 18 gauge (1.2mm) x _____ (1" [25mm], 1-1/4" [32mm] or 1-1/2" [38mm]), custom cut to fit wall. Ends are turned 90° by mandrel bending with black plastic plugs press fit into ends and returned to within 1/4" (6mm) of wall face. Wall Clearance: 1-1/2" (38mm). Construction: sections up to 18' (5486mm) are one piece; sections longer than 18' are shipped with an internal dowel for joining the pieces together at the jobsite. The tubing butts together to conceal the dowel with only a hairline seam visible. Finish: _____ (select from Finish Schedule). Flanges: 14 gauge (1.9mm) round base plate with three 1/4" (6mm) screw holes, heliarc welded to tubing; snap-lock cover is 20 gauge (0.9mm), stamped and drawn. Underslung Center Supports: heliarc welded to tubing and evenly spaced at maximum 60" (1524mm) intervals. Installation Hardware: 2" (51mm) x #10 (5mm) stainless steel screws for wall flanges and adhesive for field connections.



MATERIALS/WORKMANSHIP

Tubing—Stainless steel Type 304 (18-8) 18 gauge (1.2mm). Available in 1" (25mm), 1-1/4" (32mm) or 1-1/2" (38mm) O.D. Tubing ends are turned 90° by mandrel bending to preserve round shape of tubing and return to within 1/4" (6mm) of wall face. Custom cut to fit wall. Wall clearance is 1-1/2" (38mm) to meet handicapped codes.

Flanges—Stainless steel Type 304 (18-8) 14 gauge (1.9mm), with three 1/4" (6mm) screw holes and a snap-lock 20 gauge (0.9mm) cover flange, 3" (76mm) diameter. Stamped and drawn construction; base flange heliarc welded to tubing.

End Plugs—Heavy duty black Butyrate. Press fit into ends.

Center Supports—Stainless steel Type 304 (18-8) 18 gauge (1.2mm) x 1" (25mm). Heliarc welded beginning 12" (305mm) from each end and evenly spaced thereafter at maximum 60" (1524mm) intervals. Underslung for maximum support.



INSTALLATION

Surface mount base flange to wall. Screws are provided by manufacturer (see Installation, Reference Section C, for various applications). Install cover over base plate by matching dimples and then snapping into place with a rubber-tipped hammer. Adhesive is provided to join pieces over 18' (5486mm); apply bead inside female opening and insert male end, creating a hairline joint.

Note: The Installer's Partner, TSM model IP-980, reduces the number of installers needed by supporting one end of the railing. Height and wall clearance are adjustable.