

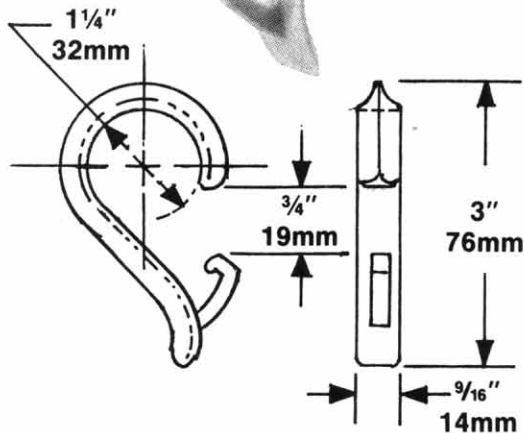
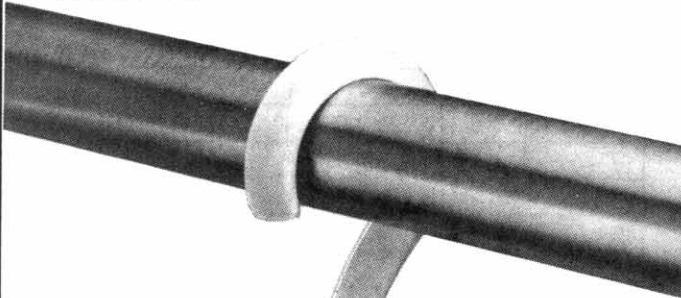
TSM

TUBULAR SPECIALTIES MFG., INC.

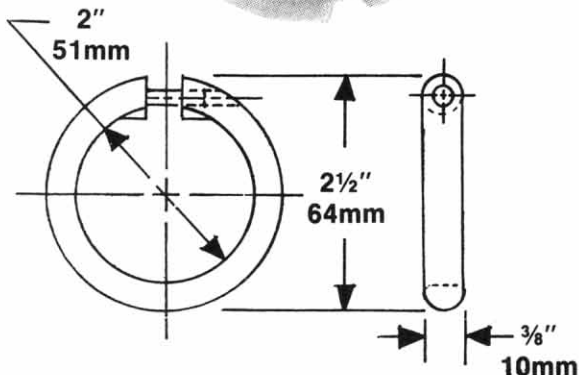
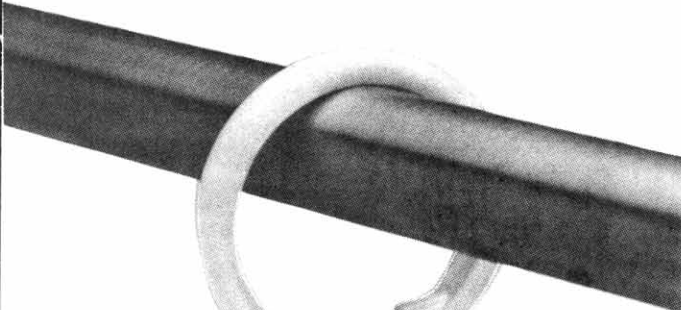
13011 S. SPRING ST., LOS ANGELES, CA 90061-1685 • 213/515-4801 TOLL FREE 800/421-2961 CA ONLY 800/521-7548
DESIGNER SERVICE: 7:00 A.M. TO 5:00 P.M. PACIFIC TIME • TELEX II: 910-346-6362 • FAX: 213/217-0653

PC-HX

Model #PC-HX



Model #PC-HX-R



PLASTIC SHOWER CURTAIN HOOKS



DESIGN CONSIDERATIONS

- TSM recommends PC-HX and PC-HX-R hooks for use with epoxy coated or metal plated shower curtain rods to help protect finish.
- TSM also offers shower curtains in vinyl, nylon and flame-resistant materials as well as shower rods of many varieties, including exposed and concealed flange models, slotted rods, corner configurations, etc., to accompany its shower curtain hooks.

MODEL NUMBERS (select one)

- PC-HX—Fits 1" (25mm) O.D.
- PC-HX-R—Fits 1" (25mm) and 1-1/4" (32mm) O.D.



OPERATION

Insert hooks into shower curtain grommets and loop over rod.



SUGGESTED ARCHITECTURAL SPECIFICATION

TSM model _____ (PC-HX or PC-HX-R) Plastic Shower Curtain Hooks from Tubular Specialties Manufacturing, Inc., Los Angeles, California, (213) 515-4801. Construction: injection molded white polystyrene formed to fit _____ (1" [25mm] or 1-1/4" [32mm]) O.D. shower rods.



MATERIALS/WORKMANSHIP

Injection molded polystyrene. Color is white. PC-HX fits 1" (25mm) O.D.; PC-HX-R fits 1" (25mm) and 1-1/4" (32mm) O.D. shower rods.



DISTRIBUTION

TSM maintains a worldwide network of distributors. Call your sales representative listed in Reference Section O for the names of those nearest you.



GUARANTEED PRODUCT
SEE PAGE 3 FOR COMPLETE DETAILS