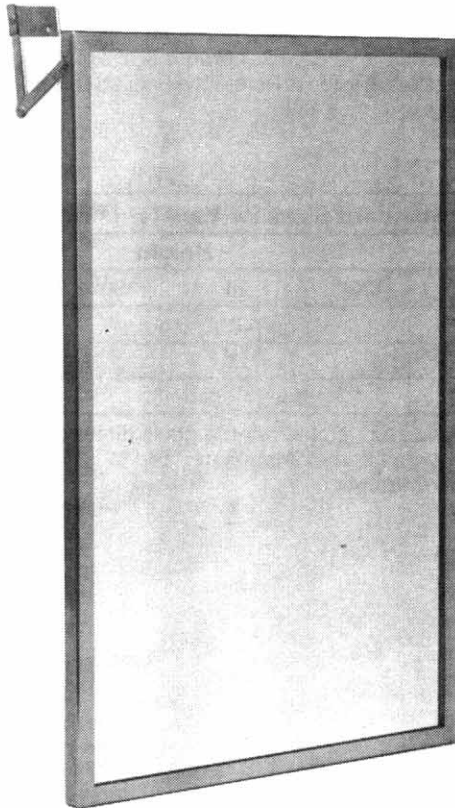


TSM

TUBULAR SPECIALTIES MFG., INC.

13011 S. SPRING ST., LOS ANGELES, CA 90061-1685 • 213/515-4801 TOLL FREE 800/421-2961 CA ONLY 800/521-7548
DESIGNER SERVICE: 7:00 A.M. TO 5:00 P.M. PACIFIC TIME • TELEX II: 910-346-6362 • FAX: 213/217-0653

M-3



VARI-TILT MIRROR



DESIGN CONSIDERATIONS

- The M-3 has the flexibility to meet the needs of the handicapped, yet can also revert to an upright position when desired.



FINISH (select one)

Frame Only:

- #8 Bright (standard)
- Other (additional charge; see Finish Schedule, Reference Section A, for options)



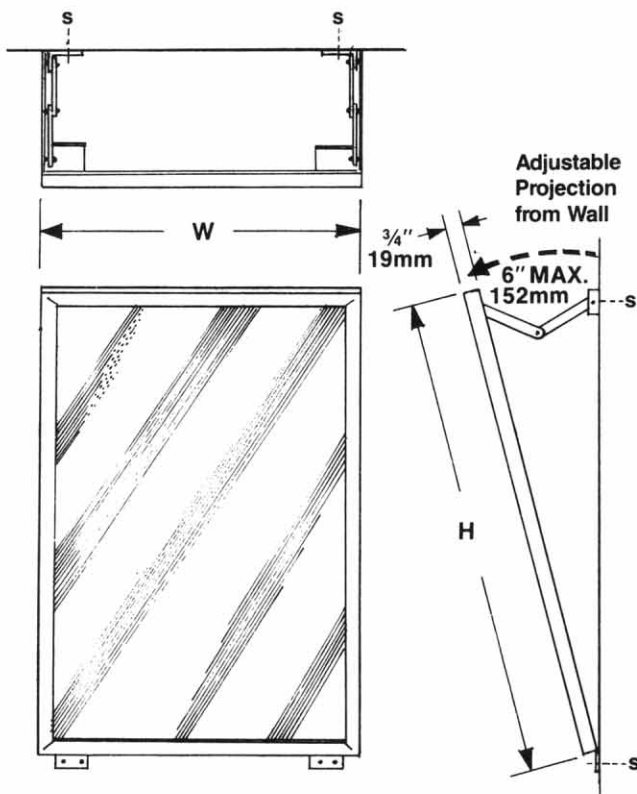
OPERATION

Two self-holding folding brackets hold mirror in upright position against wall, or can be easily tilted forward to provide full visibility for wheelchair users. Friction provides positive holding in any position up to 6" (152mm) projection from wall.



SUGGESTED ARCHITECTURAL SPECIFICATION

TSM model M-3 Vari-Tilt Mirror from Tubular Specialties Manufacturing, Inc., Los Angeles, California, (213) 515-4801. Frame: stainless steel angle Type 304 (18-8) 18 gauge (1.2mm), one-piece roll formed. Ends are mitered and welded to form a single structural unit with locking tabs welded to inside of frame. Frame snaps directly onto back plate with no visible fasteners. Back Plate: galvanized steel 20 gauge (0.9mm) with holes drilled in support areas. Finish: _____ (select from Finish Schedule). Folding Brackets: bright chrome-plated 18 gauge (1.2mm) galvanized steel, welded and riveted to frame. Piano Hinges (2): stainless steel; allow mirror to tilt from upright to 6" (152mm) from wall. Mirror: 1/4" (6mm) plate glass with electrolytic copper back, guaranteed 15 years against silver spoilage. Mirror Dimensions: _____ (fill in size) wide x _____ (fill in size) high.



GUARANTEED PRODUCT
SEE PAGE 3 FOR COMPLETE DETAILS



MATERIALS/WORKMANSHIP

Frame—Stainless steel Type 304 (18-8) 18 gauge (1.2mm), roll formed. Ends are mitered and notches cut before all corners are bent and welded to form a single structural unit. Locking tabs are spot welded to the inside of frame. Two stainless steel piano hinges are welded to frame bottom for securing mirror to wall.

Back Plate—Galvanized steel 20 gauge (0.9mm). Corrosion resistant. Holes drilled in support areas.

Folding Brackets (2)—Heavy gauge steel, chrome plated. Adjustable friction design provides positive holding in any position from upright to 6" (152mm) from wall.

Mirror—1/4" (6mm) plate glass with electrolytic copper back. Guaranteed 15 years against silver spoilage. Standard sizes are listed in chart below; maximum size available is 140" (3556mm) x 72" (1829mm).

Mirror Backing—Resilient ethafoam strips provide cushioning while leaving ample room for ventilation.



INSTALLATION

Surface mount frame to wall through holes in self-holding brackets and piano hinges at locations marked by an "S" (see Installation,

Reference Section C, for various applications). Recommended mounting height is 42" (1067mm) from bottom of mirror to finish floor. After frame is secured to wall, mirror and back plate are snapped into frame.



DISTRIBUTION

TSM maintains a worldwide network of distributors. Call your sales representative listed in Reference Section O for the names of those nearest you.

| Standard Sizes for Vari-Tilt Mirror | | | | |
|-------------------------------------|-----|-----|-----|-----|
| Height | | | | |
| | 22" | 24" | 30" | 36" |
| Width | 16" | * | * | * |
| | 18" | | * | |
| | 24" | | | * |

NOTE: Widths and heights refer to glass dimensions; to determine overall frame dimensions, add 5/8" (16mm) to mirror width or height.