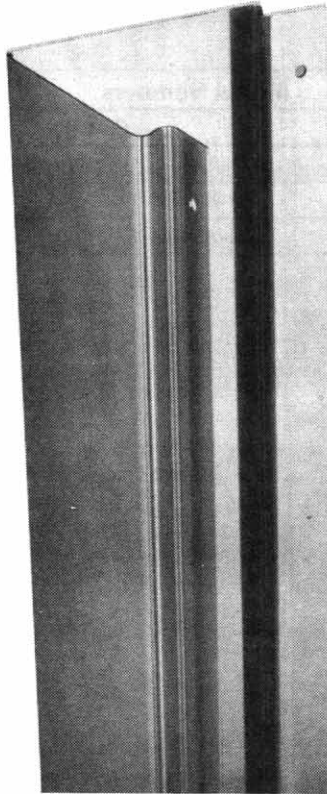


TSM

TUBULAR SPECIALTIES MFG., INC.

13011 S. SPRING ST., LOS ANGELES, CA 90061-1685 • 213/515-4801 TOLL FREE 800/421-2961 CA ONLY 800/521-7548
DESIGNER SERVICE: 7:00 A.M. TO 5:00 P.M. PACIFIC TIME • TELEX II: 910-346-6362 • FAX: 213/217-0653

CP-4548Z-2



FLUSH-MOUNTED Z-BEND CORNER GUARDS WITH SCREWS



DESIGN CONSIDERATIONS

- Applications for stainless steel corner guards include hospitals, nursing homes, commercial kitchens, or any place where corners are subject to abuse.
- Although the standard size Z bend corner guard has 4-1/2" (114mm) wings with a 48" (1219mm) height, Z bends are available in any custom size as long as the 1/8" (3mm) radius has minimum 2-1/2" (64mm) wings and the 3/4" (19mm) radius has minimum 3-1/2" (89mm) wings.
- Anything longer than 120" (3048mm) will be made in two pieces.
- To prevent warping, 16 gauge (1.5mm) is recommended for lengths over 60" (1524mm).
- Standard corner guards are designed for indoor use. If required for outdoor use, specify Type 304 (18-8) material.
- TSM offers a wide variety of surface mounted, built-in and flush mounted corner guards in stainless steel as well as clear or a colorful selection of surface mounted Lexan® corner guards.
- See Reference Section J for TSM's Quick Guide to Stainless Steel Corner Guards.

MODEL NUMBERS (select one)

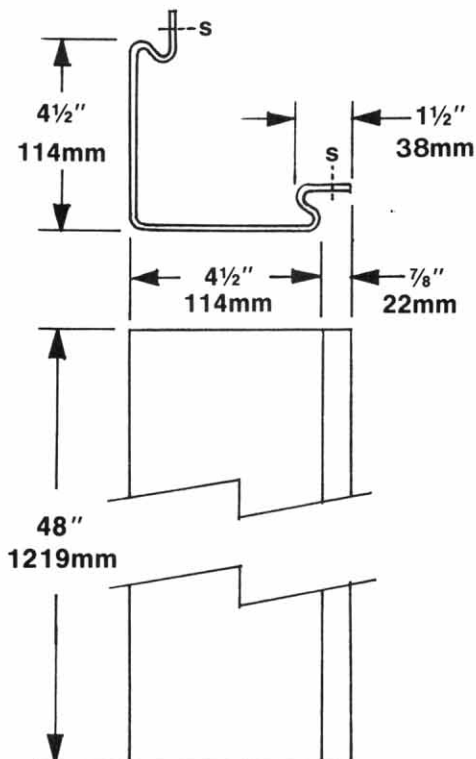
See chart below for description of model numbers.

- CP-4548Z-2
- CP-4548Z-2X
- BN-4548Z-2
- BN-4548Z-2X



SUGGESTED ARCHITECTURAL SPECIFICATION

TSM model _____ (fill in model number) Flush-Mounted Z-Bend Corner Guard from Tubular Specialties Manufacturing Inc., Los Angeles, California, (213) 515-4801. Construction: stainless steel Type 430 _____ (18 gauge [1.2mm] or 16 gauge [1.5mm]); one-piece formation with smooth edges. Wings: 4-1/2" (114mm) with ends formed into Z shape at 3/4" (19mm) x 1-1/2" (38mm). Finish: satin with PVC covering to protect finish during shipping and installation. Bend Radius: _____ (1/8" [3mm] or 3/4" [19mm]). Angle: 90°. Installation Hardware: stainless steel screws. Length: 48" (1219mm).



GUARANTEED PRODUCT
SEE PAGE 3 FOR COMPLETE DETAILS



MATERIALS/WORKMANSHIP

Corner Guard—Stainless steel Type 430 18 gauge (1.2mm) or 16 gauge (1.5mm) with all exposed surfaces polished to a satin finish. One-piece construction with each wing formed into Z shape at 3/4" (19mm) x 1-1/2" (38mm) with 1/4" (6mm) screw holes drilled beginning 1" (25mm) from each end and continuing approximately every 12" (305mm). Radius bend available at 1/8" (3mm) or 3/4" (19mm). Angle is 90°. PVC covered to protect finish.



INSTALLATION

Screw, wire or nail corner guard to building studs with screws provided by manufacturer. Apply plaster or dry wall over Z bends flush with corner guard wings. After finish wall is installed, remove protective PVC covering.



DISTRIBUTION

TSM maintains a worldwide network of distributors. Call your sales representative listed in Reference Section O for the names of those nearest you.

Model Numbers		
Gauge		
Radius	18	16
	1/8"	CP-4548Z-2
3/4"	BN-4548Z-2	BN-4548Z-2X