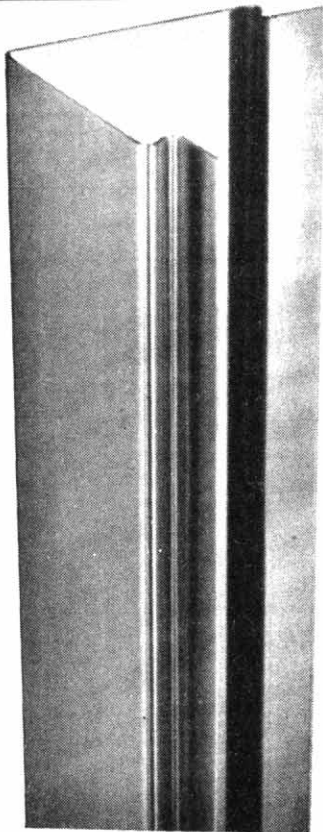


# TSM

TUBULAR SPECIALTIES MFG., INC.

13011 S. SPRING ST., LOS ANGELES, CA 90061-1685 • 213/515-4801 TOLL FREE 800/421-2961 CA ONLY 800/521-7548  
DESIGNER SERVICE: 7:00 A.M. TO 5:00 P.M. PACIFIC TIME • TELEX II: 910-346-6362 • FAX: 213/217-0653

## CP-4548Z-1



### FLUSH-MOUNTED Z-BEND CORNER GUARDS WITH ANCHORS



#### DESIGN CONSIDERATIONS

- Applications for stainless steel corner guards include hospitals, nursing homes, commercial kitchens, or any place where corners are subject to abuse.
- Although the standard size Z bend corner guard has 4-1/2" (114mm) wings with a 48" (1219mm) height, Z bends are available in any custom size as long as the 1/8" (3mm) radius has minimum 2-1/2" (64mm) wings and the 3/4" (19mm) radius has minimum 3-1/2" (89mm) wings.
- Anything longer than 120" (3048mm) will be made in two pieces.
- To prevent warping, 16 gauge (1.5mm) is recommended for lengths over 60" (1524mm).
- Standard corner guards are designed for indoor use. If required for outdoor use, specify Type 304 (18-8) material.
- TSM offers a wide variety of surface mounted, built-in and flush mounted corner guards in stainless steel as well as clear or a colorful selection of surface mounted Lexan® corner guards.
- See Reference Section J for TSM's Quick Guide to Stainless Steel Corner Guards.

#### MODEL NUMBERS (select one)

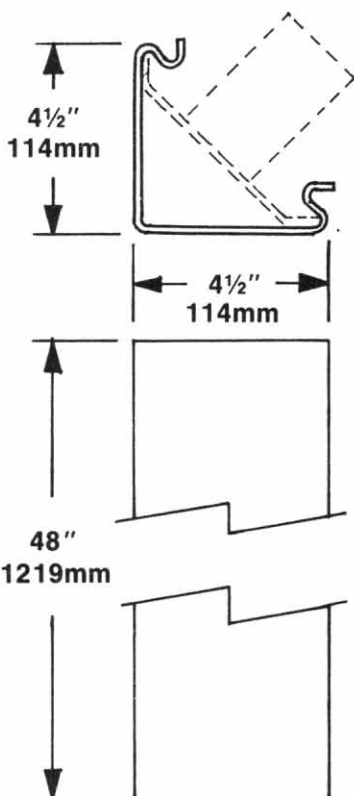
See chart below for description of model numbers.

- CP-4548Z-1
- CP-4548Z-1X
- BN-4548Z-1
- BN-4548Z-1X



#### SUGGESTED ARCHITECTURAL SPECIFICATION

TSM model \_\_\_\_\_ (fill in model number) Flush-Mounted Z-Bend Corner Guard from Tubular Specialties Manufacturing, Inc., Los Angeles, California, (213) 515-4801. Construction: stainless steel Type 430 \_\_\_\_\_ (18 gauge [1.2mm] or 16 gauge [1.5mm]); one-piece formation with smooth edges. Wings: 4-1/2" (114mm) with ends formed into Z shape at 3/4" (19mm) x 1-1/2" (38mm). Finish: satin with PVC covering to protect finish during shipping and installation. Bend Radius: \_\_\_\_\_ (1/8" [3mm] or 3/4" [19mm]). Angle: 90°. Installation Hardware: steel retaining anchors, provided every 12" (305mm). Length: 48" (1219mm).



 **GUARANTEED PRODUCT**  
SEE PAGE 3 FOR COMPLETE DETAILS



## MATERIALS/WORKMANSHIP

**Corner Guard**—Stainless steel Type 430 18 gauge (1.2mm) or 16 gauge (1.5mm) with all exposed surfaces polished to a satin finish. One-piece construction with each wing formed into Z shape at 3/4" (19mm) x 1-1/2" (38mm) to hold anchors. Bend radius available at 1/8" (3mm) or 3/4" (19mm). Angle is 90°. PVC covered to protect finish.

**Retaining Anchors**—Punched steel. Provided every 12" (305mm).



## INSTALLATION

Slide anchors within Z bends so they are evenly spaced. Grout anchors into masonry joints until wings lay flat against wall. After finish wall is installed, remove protective PVC covering.



## DISTRIBUTION

TSM maintains a worldwide network of distributors. Call your sales representative listed in Reference Section O for the names of those nearest you.

Model Numbers			
Gauge			
Radius	18	16	
	1/8"	CP-4548Z-1	CP-4548Z-1X
	3/4"	BN-4548Z-1	BN-4548Z-1X