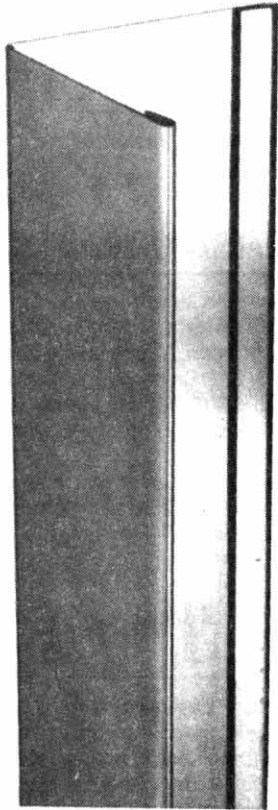


# TSM

TUBULAR SPECIALTIES MFG., INC.

13011 S. SPRING ST., LOS ANGELES, CA 90061-1685 • 213/515-4801 TOLL FREE 800/421-2961 CA ONLY 800/521-7548  
DESIGNER SERVICE: 7:00 A.M. TO 5:00 P.M. PACIFIC TIME • TELEX II: 910-346-6362 • FAX: 213/217-0653

## CP-4548H



### FLUSH-MOUNTED HEMMED EDGE CORNER GUARDS



#### DESIGN CONSIDERATIONS

- Applications for stainless steel corner guards include hospitals, nursing homes, commercial kitchens, or any place where corners are subject to abuse.
- Although the standard size hemmed edge corner guard has 4-1/2" (114mm) wings with a 48" (1219mm) height, hemmed edges are available in any custom size as long as the 1/8" (3mm) radius has minimum 1-1/2" (38mm) wings and the 3/4" (19mm) radius has minimum 2-1/2" (64mm) wings.
- Anything longer than 120" (3048mm) will be made in two pieces.
- To prevent warping, 16 gauge (1.5mm) is recommended for lengths over 60" (1524mm).
- Standard corner guards are designed for indoor use. If required for outdoor use, specify Type 304 (18-8) material.
- TSM offers a wide variety of surface mounted, built-in and flush mounted corner guards in stainless steel as well as clear or a colorful selection of surface mounted Lexan® corner guards.
- See Reference Section J for TSM's Quick Guide to Stainless Steel Corner Guards.

#### MODEL NUMBERS (select one)

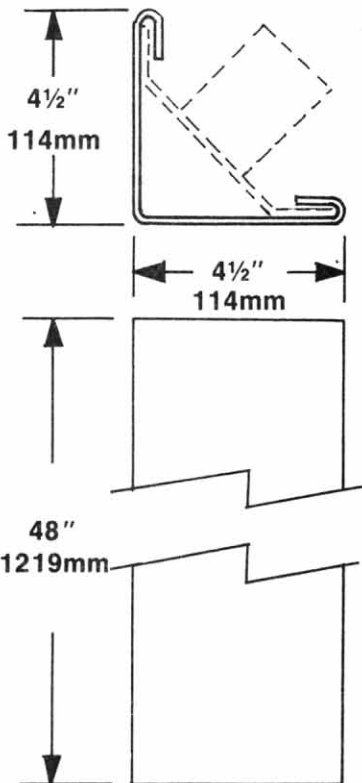
See chart below for description of model numbers.

- CP-4548H
- CP-4548HX
- BN-4548H
- BN-4548HX



#### SUGGESTED ARCHITECTURAL SPECIFICATION

TSM model \_\_\_\_\_ (fill in model number) Flush-Mounted Hemmed Edge Corner Guard from Tubular Specialties Manufacturing, Inc., Los Angeles, California, (213) 515-4801. Construction: stainless steel Type 430 \_\_\_\_\_ (18 gauge [1.2mm] or 16 gauge [1.5mm]); one-piece formation with smooth edges. Wings: 4-1/2" (114mm) with ends hemmed in 1/2" (13mm) to hold anchors. Finish: satin with PVC covering to protect finish during shipping and installation. Bend Radius: \_\_\_\_\_ (1/8" [3mm] or 3/4" [19mm]). Angle: 90°. Installation Hardware: steel retaining anchors, provided every 12" (305mm). Length: 48" (1219mm).



**GUARANTEED PRODUCT**  
SEE PAGE 3 FOR COMPLETE DETAILS



## MATERIALS/WORKMANSHIP

**Corner Guard**—Stainless steel Type 430 18 gauge (1.2mm) or 16 gauge (1.5mm) with all exposed surfaces polished to a satin finish. One-piece construction with edges hemmed in 1/2" (13mm) to hold anchors. Bend radius available at 1/8" (3mm) or 3/4" (19mm). Angle is 90°. PVC covered to protect finish.

**Retaining Anchors**—Punched steel. Provided every 12" (305mm).



## INSTALLATION

Slide anchors within hemmed edges so they are evenly spaced. For concrete block or exposed bricks, grout anchors into masonry joints until wings lay flat against wall. After finish wall is installed, remove PVC covering.



## DISTRIBUTION

TSM maintains a worldwide network of distributors. Call your sales representative listed in Reference Section O for the names of those nearest you.

| Model Numbers |          |           |
|---------------|----------|-----------|
| Gauge         |          |           |
| Radius        | 18       |           |
|               | 16       |           |
|               | 1/8"     | CP-4548H  |
| 3/4"          | BN-4548H | BN-4548HX |