

TSM

TUBULAR SPECIALTIES MFG., INC.

13011 S. SPRING ST., LOS ANGELES, CA 90061-1685 • 213/515-4801 TOLL FREE 800/521-2961 CA ONLY 800/521-7548
DESIGNER SERVICE: 7:00 A.M. TO 5:00 P.M. PACIFIC TIME • TELEX II: 910-346-6362 • FAX: 213/217-0653

5915,5925

SURFACE MOUNTED HAND AND HAIR DRYERS



DESIGN CONSIDERATIONS

- Dryers offer long-term economy compared to towel/waste units, which require constant replenishing of towels and emptying of waste cans.
- A 5-year guarantee covers ALL replacement parts and factory labor on TSM dryers.
- TSM dryers have maintenance-free brushless motors, which are superior to brands with motor brushes. Brushes require regular maintenance to prevent motor burnout, and are usually not covered under the guarantee.
- TSM dryers offer these vandal-resistant features: 1) Sturdy cast cover 2) Tamper-resistant mounting attachment 3) Heating element is located to the side of, not inside the nozzle.
- For a Cost Analysis of Paper Towels vs. Dryers, see Reference Section K.

MODEL NUMBERS

5915—Hand Dryer

5925—Hair Dryer



FINISH (select one)

White Epoxy (standard)

Other (additional charge; see Finish Schedule, Reference Section A, for options)



OPERATION

Push button and release to operate dryer. Air flows 30 seconds for 5915 and three minutes for 5925. Nozzle may be rotated to redirect air flow.



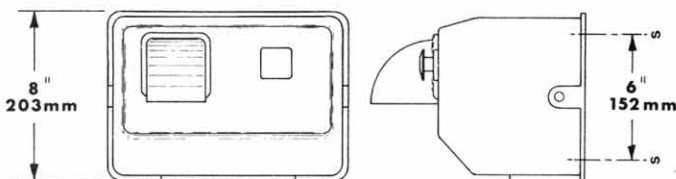
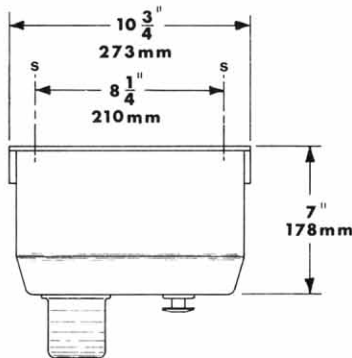
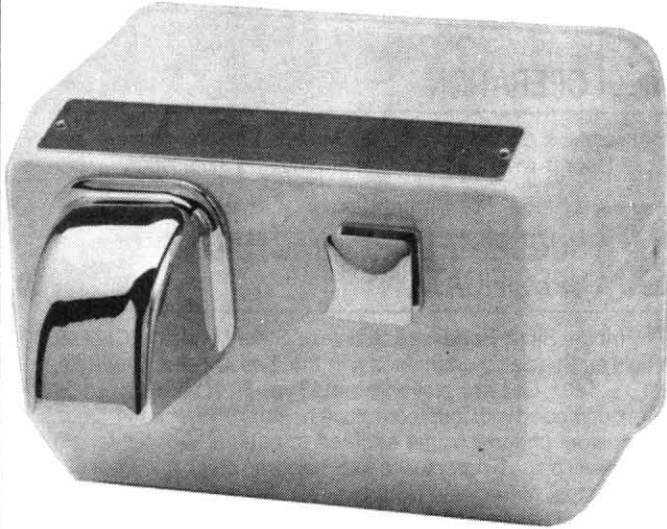
SUGGESTED ARCHITECTURAL SPECIFICATION

TSM model (5915 or 5925) Surface Mounted (Hand or Hair) Dryer from Tubular Specialties Manufacturing, Inc., Los Angeles, California, (213) 515-4801. Construction: die cast zinc alloy cover with _____ (360° swivel or fixed) nozzle. Finish: _____ (select from



GUARANTEED PRODUCT

SEE PAGE 5 FOR COMPLETE DETAILS



Finish Schedule). Motor: brushless type, 1/10 H.P. mounted on resilient base with lifetime self-lubricated bearings; protected by _____ (1.8 amp for 110/120V or .75 amp for 208/230V); meets U.L. requirements. Timing Mechanism: set for _____ (30 seconds or 3.minutes).



MATERIALS/WORKMANSHIP

Cover—Die cast zinc alloy, 3/16" (5mm). Rib-reinforced.

Push Button—Die cast zinc with bright chrome-plated finish.

Nozzle—Die cast zinc. Standard nozzle revolves 360°; fixed nozzle is available.

Fan Motor—Brushless type, U.L. approved 1/10 H.P., capacitor initiated, sealed lubricated bearings. Delivers 150 C.F.M. Available with either 110/120V or 208/230V.

Heating Element—2000 watt nichrome wire side mounted to resist vandalism. Protected by 25 amp circuit breaker.

Timing Mechanism—Solid state, completely sealed. Activated by a magnetic switch.



INSTALLATION

Surface mount back plate to wall (see Installation, Reference Section C, for various applications).

5915: Suggested mounting heights from floor to bottom of dryer are 32" (813mm) for handicapped use; 30" (762mm) for children; 36" (914mm) for teenagers; 38" (965mm) for women; and 40" (1016mm) for men.

5925: Suggested mounting heights from floor to bottom of dryer are 45" (1143mm) for handicapped use; 43" (1092mm) for children; 56" (1422mm) for teenagers; 58" (1473mm) for women; and 64" (1626mm) for men.

Connect wiring leads and terminals through knockout holes on back plate. Cover is secured with two Allen head bolts provided.



DISTRIBUTION

TSM maintains a worldwide network of distributors. Call your sales representative listed in Reference Section O for the names of those nearest you.