

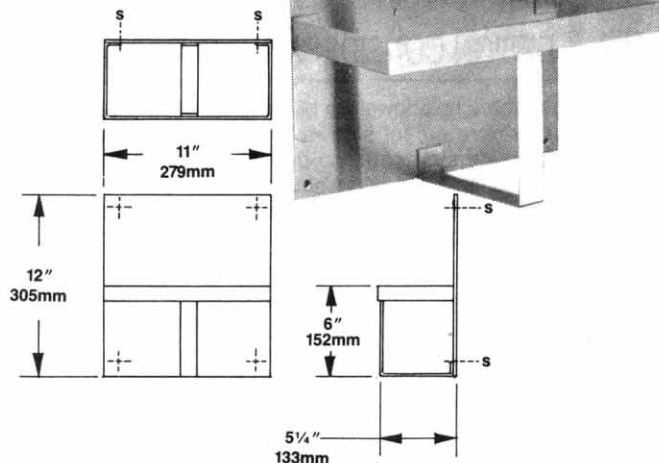
# TSM

**TUBULAR SPECIALTIES MFG., INC.**

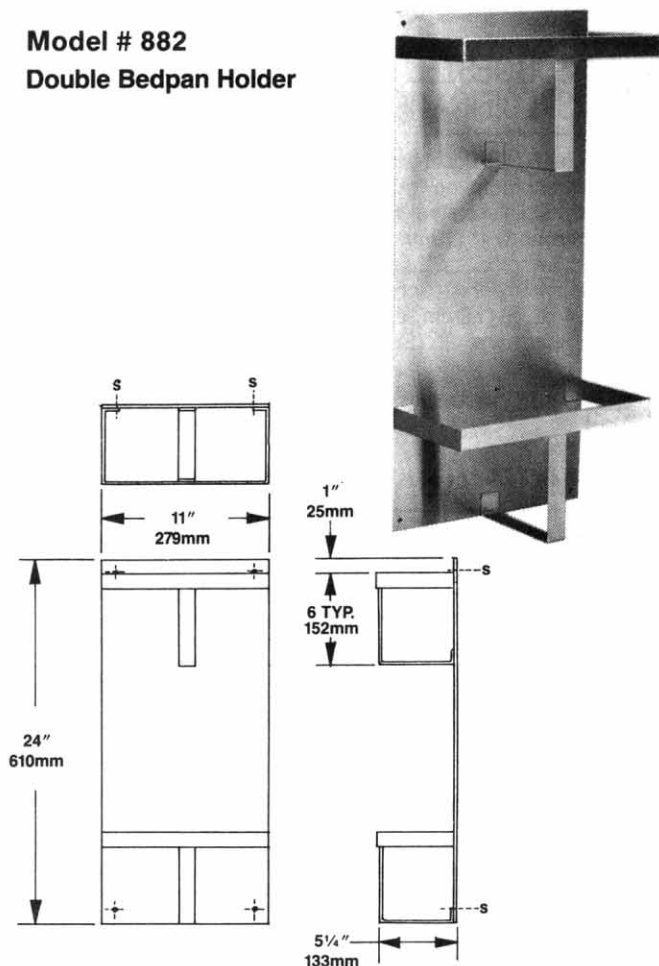
13011 S. SPRING ST., LOS ANGELES, CA 90061-1685 • 213/515-4801 TOLL FREE 800/421-2961 CA ONLY 800/521-7548  
DESIGNER SERVICE: 7:00 A.M. TO 5:00 P.M. PACIFIC TIME • TELEX II: 910-346-6362 • FAX: 213/217-0653

# 880,882

## Model # 880 Single Bedpan Holder



## Model # 882 Double Bedpan Holder



## BEDPAN HOLDERS

### MODEL NUMBERS (select one)

- 880—Single  
 882—Double



### FINISH (select one)

- #4 Satin (standard)  
 Other (additional charge; see Finish Schedule, Reference Section A, for options)



### SUGGESTED ARCHITECTURAL SPECIFICATION

TSM model \_\_\_\_\_ (880 Single or 882 Double) Bedpan Holder from Tubular Specialties Manufacturing, Inc., Los Angeles, California, (213) 515-4801. Construction: stainless steel Type 304 (18-8); 1" (25mm) x 16 gauge (1.5mm) holding straps are formed and welded to 18 gauge (1.2mm) backplate. Finish: \_\_\_\_\_ (select from Finish Schedule). Capacity: \_\_\_\_\_ (one or two) standard size bedpan(s). Manufacturer's name is not shown on any exposed surface.



### MATERIALS/WORKMANSHIP

**Backplate**—Stainless steel Type 304 (18-8) 18 gauge (1.2mm). Stainless steel screws are provided to prevent corrosion.

**Holding Straps**—Stainless steel Type 304 (18-8) 1" (25mm) x 16 gauge (1.5mm). Straps are formed and heliarc welded to back plate with all edges deburred. Capacity: 880 holds one standard size bedpan; 882 holds two (not supplied with unit).



### INSTALLATION

Holder is surface mounted. Screws are provided by manufacturer (see Installation, Reference Section C, for various applications).



## GUARANTEED PRODUCT

SEE PAGE 3 FOR COMPLETE DETAILS