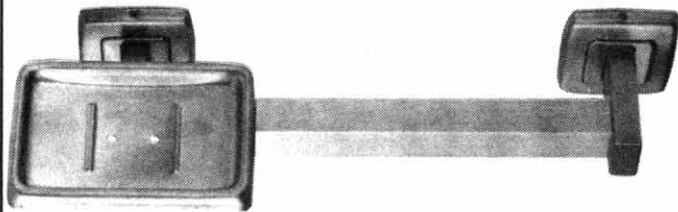


TSM

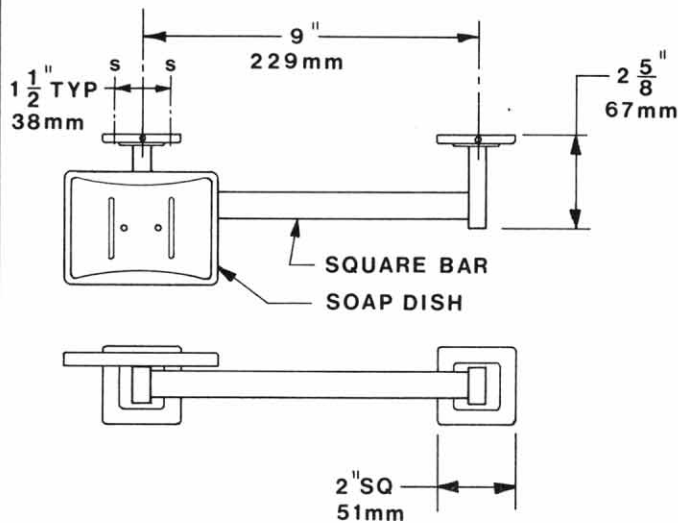
TUBULAR SPECIALTIES MFG., INC.

13011 S. SPRING ST., LOS ANGELES, CA 90061-1685 • 213/515-4801 TOLL FREE 800/421-2961 CA ONLY 800/521-7548
DESIGNER SERVICE: 7:00 A.M. TO 5:00 P.M. PACIFIC TIME • TELEX II: 910-346-6362 • FAX: 213/217-0653

812



U.S. Patent #4,498,654



SOAP DISH AND UTILITY BAR



DESIGN CONSIDERATIONS

- Square utility bars hold washcloths and hand towels in place better than round.
- For installations not over a sink or drain, the 812 can be specified without drainage holes.
- Field-Safe accessories are vandal resistant because the fasteners are concealed with a snap-lock flange. Once installed, the flange is difficult to remove without the necessary tools.



FINISH (select one)

- #8 Bright (standard)
- Other (additional charge; see Finish Schedule, Reference Section A, for options)



SUGGESTED ARCHITECTURAL SPECIFICATION

TSM Field-Safe model 812 Soap Dish and Utility Bar from Tubular Specialties Manufacturing, Inc., Los Angeles, California, (213) 515-4801. Construction: stainless steel Type 304 (18-8), formed and welded; dish is stamped and drawn with drainage holes and ribbing to hold soap. Unit secures directly to wall with screws concealed by snap-lock cover flange. Tubing: square, 3/4" (19mm) x 20 gauge (0.9mm), locked into end posts. Length: _____ (fill in length). Finish: _____ (select from Finish Schedule). Installation Hardware: 2" (51mm) x #10 (5mm) stainless steel sheet metal screws.



MATERIALS/WORKMANSHIP

Wall Flanges—Stainless steel Type 304 (18-8) 18 gauge (1.2mm).

Posts—Stainless steel Type 304 (18-8) 22 gauge (0.8mm) formed into a 1" (25mm) x 1/2" (13mm) rectangular tube. Mechanically fastened to wall flange; ends are capped with a 14 gauge (1.9mm) stainless steel plate with a continuous heliarc weld ground to a 45°.

Inserts—Stainless steel Type 304 (18-8) 28 gauge (0.4mm).

Covers—Stainless steel Type 304 (18-8) 22 gauge (0.8mm).

Dish—Stainless steel Type 304 (18-8) 22 gauge (0.8mm). Stamped and drawn, one-piece construction, welded to post. Dish has two drainage holes and ribbing to hold soap.

Tubing—Stainless steel square 3/4" (19mm) x 20 gauge (0.9mm) 12" (305mm), locked into end posts.



INSTALLATION

Surface mount wall flange to wall, align cover flange dimples over notches on wall flange and gently tap in place with a rubber hammer.