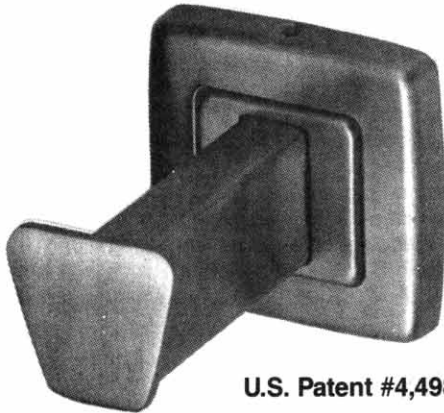


# TSM

TUBULAR SPECIALTIES MFG., INC.

13011 S. SPRING ST., LOS ANGELES, CA 90061-1685 • 213/515-4801 TOLL FREE 800/421-2961 CA ONLY 800/521-7548  
DESIGNER SERVICE: 7:00 A.M. TO 5:00 P.M. PACIFIC TIME • TELEX II: 910-346-6362 • FAX: 213/217-0653

# 808



U.S. Patent #4,498,654

## TOWEL PIN



### DESIGN CONSIDERATIONS

- Field-Safe accessories are vandal resistant because the fasteners are concealed with a snap-lock flange. Once installed, the flange is difficult to remove without the necessary tools.
- Field-Safe's unique, patented snap-lock fastening system does not use set screws which require periodic tightening, thereby reducing maintenance in the field.
- Because of its one-piece design, Field-Safe accessories can be installed in approximately 1/3 less time than is required for conventional, multi-piece set screw accessories.
- The square Field-Safe flange matches TSM's FS-1 line of grab bars and SH/FS shower rods for a unified washroom design.



### FINISH (select one)

- #8 Bright (standard)
- Other (additional charge; see Finish Schedule, Reference Section A, for options)



### SUGGESTED ARCHITECTURAL SPECIFICATION

TSM Field-Safe model 808 Towel Pin from Tubular Specialties Manufacturing, Inc., Los Angeles, California, (213) 515-4801. Construction: stainless steel Type 304 (18-8), formed and welded; pin is 11 gauge (3.1mm), one-piece construction, welded to post. Secures directly to wall with screws concealed by a snap-lock cover flange. Finish: \_\_\_\_\_ (select from Finish Schedule). Installation Hardware: 3/4" (19mm) x #10 (5mm) stainless steel sheet metal screws.



### MATERIALS/WORKMANSHIP

**Wall Flange**—Stainless steel Type 304 (18-8) 18 gauge (1.2mm).  
**Post**—Stainless steel Type 304 (18-8) 22 gauge (0.8mm) formed into a 1" (25mm) x 1/2" (13mm) rectangular tube. Mechanically fastened to wall flange; end is capped with a 14 gauge (1.9mm) stainless steel plate with a continuous heliarc weld ground to a 45° chamfer.  
**Insert**—Stainless steel Type 304 (18-8) 28 gauge (0.4mm).  
**Cover**—Stainless steel Type 304 (18-8) 22 gauge (0.8mm).  
**Pin**—Stainless steel Type 304 (18-8) 11 gauge (3.1mm). One-piece construction, welded to post.



### INSTALLATION

Surface mount wall flange to wall, align cover flange dimples over notches on wall flange and gently tap in place with a rubber hammer. Stainless steel screws are provided by manufacturer (see Installation, Reference Section C, for various applications).

