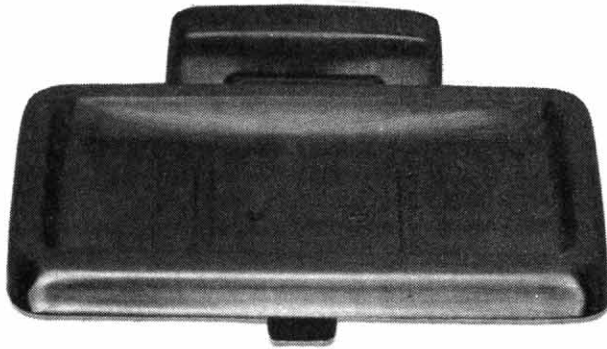


TSM

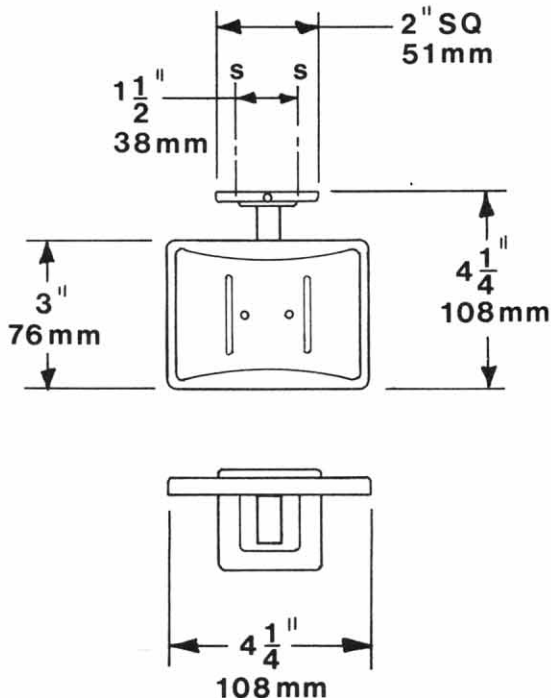
TUBULAR SPECIALTIES MFG., INC.

13011 S. SPRING ST., LOS ANGELES, CA 90061-1685 • 213/515-4801 TOLL FREE 800/421-2961 CA ONLY 800/521-7548
DESIGNER SERVICE: 7:00 A.M. TO 5:00 P.M. PACIFIC TIME • TELEX II: 910-346-6362 • FAX: 213/217-0653

804



U.S. Patent #4,498,654



SOAP DISH



DESIGN CONSIDERATIONS

- For installations not over a sink or drain, the 804 can be specified without drainage holes.
- Field-Safe accessories are vandal resistant because the fasteners are concealed with a snap-lock flange. Once installed, the flange is difficult to remove without the necessary tools.
- Because of its one-piece design, Field-Safe accessories can be installed in approximately 1/3 less time than is required for conventional, multi-piece set screw accessories.



FINISH (select one)

- #8 Bright (standard)
- Other (additional charge; see Finish Schedule, Reference Section A, for options)



SUGGESTED ARCHITECTURAL SPECIFICATION

TSM Field-Safe model 804 Soap Dish from Tubular Specialties Manufacturing, Inc., Los Angeles, California, (213) 515-4801. Construction: stainless steel Type 304 (18-8), formed and welded; dish is stamped and drawn with drainage holes and ribbing to hold soap. Unit secures directly to wall with screws concealed by a snap-lock cover flange. Finish: _____ (select from Finish Schedule). Installation Hardware: 2" (51mm) x #10 (5mm) stainless steel sheet metal screws.



MATERIALS/WORKMANSHIP

Wall Flange—Stainless steel Type 304 (18-8) 18 gauge (1.2mm).
Post—Stainless steel Type 304 (18-8) 22 gauge (0.8mm) formed into a 1" (25mm) x 1/2" (13mm) rectangular tube. Mechanically fastened to wall flange; end is capped with a 14 gauge (1.9mm) stainless steel plate with a continuous heliarc weld ground to a 45° chamfer.
Insert—Stainless steel Type 304 (18-8) 28 gauge (0.4mm).
Cover—Stainless steel Type 304 (18-8) 22 gauge (0.8mm).
Dish—Stainless steel Type 304 (18-8) 22 gauge (0.8mm). Stamped and drawn, one-piece construction, welded to post. Dish has two drainage holes and ribbing to hold soap.



INSTALLATION

Surface mount wall flange to wall, align cover flange dimples over notches on wall flange and gently tap in place with a rubber hammer.