

TSM

TUBULAR SPECIALTIES MFG., INC.

13011 S. SPRING ST., LOS ANGELES, CA 90061-1685 • 213/515-4801 TOLL FREE 800/421-2961 CA ONLY 800/521-7548
 DESIGNER SERVICE: 7:00 A.M. TO 5:00 P.M. PACIFIC TIME • TELEX II: 910-346-6362 • FAX: 213/217-0653

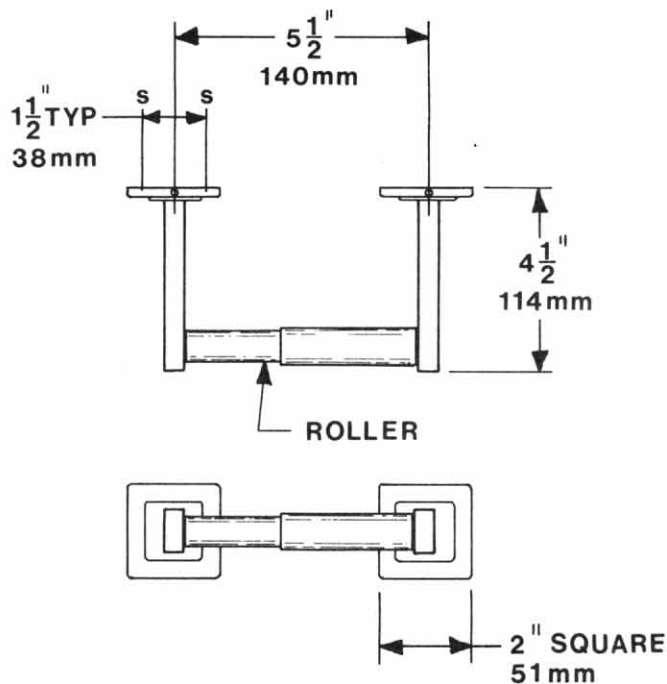
801,802

TOILET PAPER HOLDER



U.S. Patent #4,498,654

Model # 801 Single Toilet Paper Holder



DESIGN CONSIDERATIONS

- Field-Safe accessories are vandal resistant because the fasteners are concealed with a snap-lock flange. Once installed, the flange is difficult to remove without the necessary tools.
- Field-Safe's unique, patented snap-lock fastening system does not use set screws which require periodic tightening, thereby reducing maintenance in the field.
- Because of its one-piece design, Field-Safe accessories can be installed in approximately 1/3 less time than is required for conventional, multi-piece set screw accessories.
- The square Field-Safe flange matches TSM's FS-1 line of grab bars and SH/FS shower rods for a unified washroom design.

MODEL NUMBERS (select one)

See chart below for description of model numbers.

- 801
- 801-CR
- 801-TM
- 802
- 802-CR
- 802-TM



FINISH (select one)

- #8 Bright (standard)
- Other (additional charge; see Finish Schedule, Reference Section A, for options)



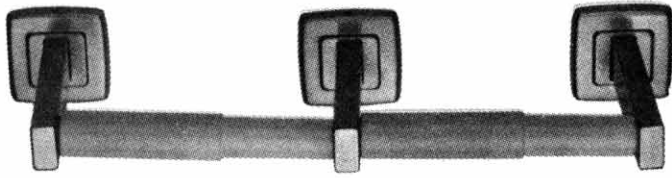
SUGGESTED ARCHITECTURAL SPECIFICATION

TSM Field-Safe model _____ (fill in model number) Toilet Paper Holder from Tubular Specialties Manufacturing, Inc., Los Angeles, California, (213) 515-4801. Construction: stainless steel Type 304 (18-8), formed and welded. Unit secures directly to wall with screws concealed by snap-lock cover flanges. Finish: _____ (select from Finish Schedule). Roller(s): _____ (SELECT ONE: white polyethylene,



GUARANTEED PRODUCT

SEE PAGE 3 FOR COMPLETE DETAILS



U.S. Patent #4,498,654

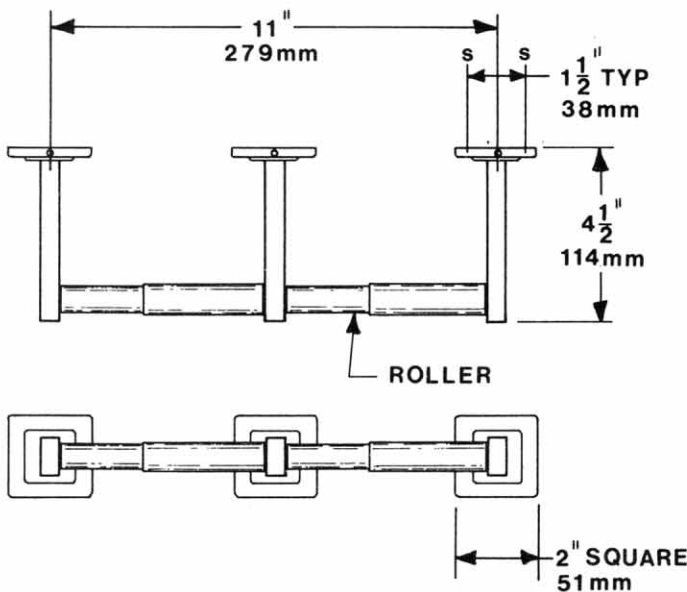
Chrome-Plated Roller



Tamper-Resistant Roller



Model # 802
Double Toilet Paper Holder



chrome-plated polyethylene, OR tamper resistant). Capacity: accommodates _____ (one or two) standard core toilet tissue roll(s). Installation Hardware: 2" (51 mm) x #10 (5mm) stainless steel sheet metal screws.



MATERIALS/WORKMANSHIP

Wall Flanges—Stainless steel Type 304 (18-8) 18 gauge (1.2mm).

Posts—Stainless steel Type 304 (18-8) 22 gauge (0.8mm) formed into a 1" (25mm) x 1/2" (13mm) rectangular tube. Mechanically fastened to wall flange; ends are capped with a 14 gauge (1.9mm) stainless steel plate with a continuous heliarc weld ground to a 45° chamfer. Capacity: Model 801 holds one standard core toilet tissue roll up to 6" (152mm) in diameter; model 802 holds two.

Inserts—Stainless steel Type 304 (18-8) 28 gauge (0.4mm).

Covers—Stainless steel Type 304 (18-8) 22 gauge (0.8mm).

Roller(s)—White polyethylene is standard. Chrome-plated polyethylene and a tamper-resistant molded plastic spindle are also available as options.



INSTALLATION

Surface mount wall flange to wall, align cover flange dimples over notches on wall flange and gently tap in place with a rubber hammer. Stainless steel screws are provided by manufacturer (see Installation, Reference Section C, for various applications).



DISTRIBUTION

TSM maintains a worldwide network of distributors. Call your sales representative listed in Reference Section O for the names of those nearest you.

| Model Numbers | | | | |
|---------------|----------|--------------------|----------------------------|------------------|
| Roller | | | | |
| Capacity | | White Polyethylene | Chrome-Plated Polyethylene | Tamper Resistant |
| | one roll | | 801 | 801-CR |
| two rolls | | 802 | 802-CR | 802-TM |