

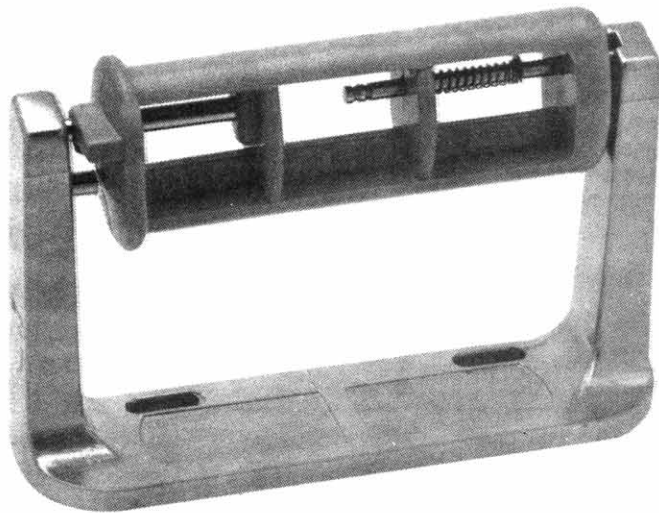
TSM

TUBULAR SPECIALTIES MFG., INC.

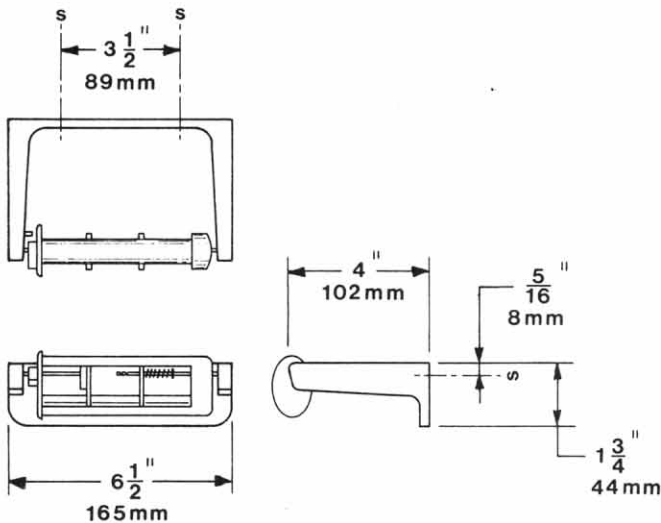
13011 S. SPRING ST., LOS ANGELES, CA 90061-1685 • 213/515-4801 TOLL FREE 800/421-2961 CA ONLY 800/521-7548
DESIGNER SERVICE: 7:00 A.M. TO 5:00 P.M. PACIFIC TIME • TELEX II: 910-346-6362 • FAX: 213/217-0653

370,371

TOILET TISSUE HOLDERS



Model # 370
Model # 370-NC
Single Toilet Tissue Holder



DESIGN CONSIDERATIONS

- Epoxy coating prevents oxidation of the aluminum over a period of time, as well as providing a smooth finish for easy cleaning.

MODEL NUMBERS (select one)

See chart below for description of model numbers.

- 370
- 370-NC
- 371
- 371-NC



FINISH (select one)

- Silver Epoxy (standard)
- Other (additional charge; see Finish Schedule, Reference Section A, for options)



OPERATION

For models 370 and 371, controlled delivery rocking action restricts flow by permitting user to pull tissue by half-revolutions only. To replace tissue, tear open paper core to access theft-resistant release pin.

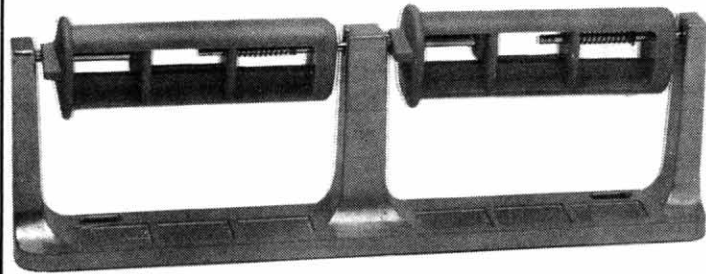


SUGGESTED ARCHITECTURAL SPECIFICATION

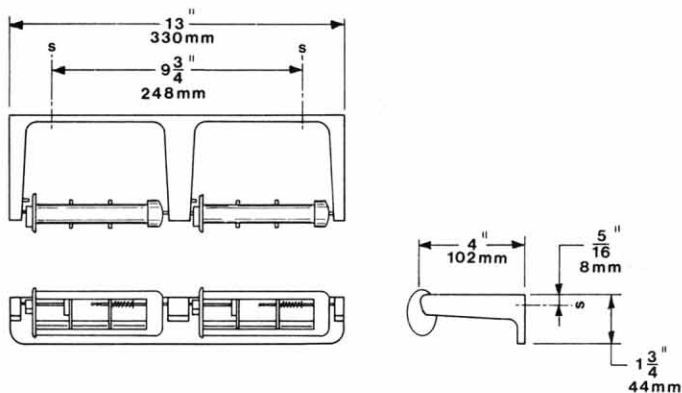
TSM model _____ (fill in model number) Toilet Tissue Holder from Tubular Specialties Manufacturing, Inc., Los Angeles, California, (213) 515-4801. Construction: cast aluminum alloy. Finish: _____ (select from Finish Schedule). Operation: _____ (restricted or non-controlled). Capacity: accommodates _____ (one or two) roll(s) up to 6" (152mm) in diameter. Manufacturer's name is not shown on any exposed surface.



GUARANTEED PRODUCT
SEE PAGE 3 FOR COMPLETE DETAILS



**Model # 371
Model # 371-NC
Double Toilet Tissue Holder**



MATERIALS/WORKMANSHIP

Holder—Die cast aluminum alloy. Dispenser and spindle are held together with a spring-loaded steel pin. Spindle is spring locked to resist theft and abuse. Capacity: 370 and 370-NC hold one standard toilet tissue roll up to 6" (152mm) in diameter; 371 and 371-NC hold two.



INSTALLATION

Holder is surface mounted. Screws are provided by manufacturer (see Installation, Reference Section C, for various applications).



DISTRIBUTION

TSM maintains a worldwide network of distributors. Call your sales representative listed in Reference Section O for the names of those nearest you.

| Delivery | | | |
|----------|-----------|------------|----------------|
| | | Controlled | Non-Controlled |
| Capacity | one roll | 370 | 370-NC |
| | two rolls | 371 | 371-NC |