



Tubular Specialties Manufacturing, Inc.

13011 South Spring Street, Los Angeles, CA 90061-1685
 Phone 800/CALL TSM (800/225-5876) or 310/515-4801
 online www.grabbar.com • Fax 310/217-0653

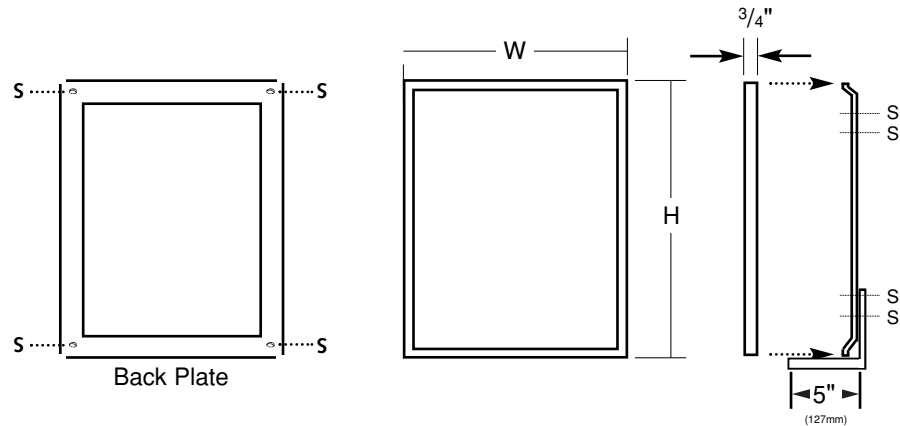
M-8

Angle Frame Mirror with Shelf

Technical Data

Revised Jan 2004

Page 1 of 2



Design Considerations

- TSM's snap-on mirror mounting system offers quick and easy installation.
- The snap-on system resists vandalism because the fasteners are hidden and not easily accessible; however, the frame can be removed to replace broken glass (see Installation).
- Shelves longer than 118" (2997) will be furnished in two sections, butted together.
- Custom dimensions available.
- The M-8-6 Angle Frame with Stainless Steel Mirror is recommended for areas with high risk of vandalism; however, because polished stainless steel cannot reflect images as sharply as glass, there is slight image distortion with these mirrors (which worsens as the size of the mirror increases).
- The M-8-7 Angle Frame with Tempered Glass Mirror is recommended for public areas (parks, schools, etc.) because it shatters when broken, which is safer than splinters from broken plate glass.



Finishes and Model Numbers

- Satin** The standard finish, also known as #4 brushed finish.
- Bright** Bright annealed, also known as polished finish. A look that is similar to chrome
- Powdercoated** White, Almond, Biscuit, Parchment, Light Mocha, Taupe, Rosy Taupe, Wheat, Sun Gold, Nutmeg, Vanilla, Navy, Slate Blue, Gray, Seafoam Green, Forest Green, Verdigris, Turquoise, Pink, Red, Black.
- Plated** All plated products have a clear baked enamel finish. *Colors:* Bright Brass, Satin Brass, Antique Brass, Antique Bronze, Satin Bronze, Black Nickel, Satin Nickel, Bright Copper.

MIRROR

| | Plate Glass | Stainless Steel | Tempered Glass | Laminated | Plexiglass | |
|---------------------|--------------|-----------------------------------|-------------------------------------|-------------------------------------|-------------------------------------|-------------------------------------|
| FRAME FINISH | Bright | <input type="checkbox"/> M-8 | <input type="checkbox"/> M-8-6 | <input type="checkbox"/> M-8-7 | <input type="checkbox"/> M-8-8 | <input type="checkbox"/> M-8-9 |
| | Satin | <input type="checkbox"/> M-08 | <input type="checkbox"/> M-08-6 | <input type="checkbox"/> M-08-7 | <input type="checkbox"/> M-08-8 | <input type="checkbox"/> M-08-9 |
| | Powdercoated | <input type="checkbox"/> M-8/POWD | <input type="checkbox"/> M-8-6/POWD | <input type="checkbox"/> M-8-7/POWD | <input type="checkbox"/> M-8-8/POWD | <input type="checkbox"/> M-8-9/POWD |
| | Plated | <input type="checkbox"/> M-8/PLAT | <input type="checkbox"/> M-8-6/PLAT | <input type="checkbox"/> M-8-7/PLAT | <input type="checkbox"/> M-8-8-PLAT | <input type="checkbox"/> M-8-9/PLAT |



Suggested Architectural Specification

TSM model # _____ [fill in model number] Angle Frame Mirror with Shelf from TSM. Tubular Specialties Manufacturing, Inc., 13011 So. Spring St., Los Angeles, California, 90061, 310/515-4801 or 800/Call TSM (800/225-5876). Frame: Stainless steel type 304 (18-8) 18 gauge (1.2mm) angle. Ends are mitered and welded to form a single structural unit with locking tabs welded to inside of frame. Frame snaps directly onto back plate with no visible fasteners. Back Plate: Galvanized steel 22 gauge (0.7mm) with holes drilled in support areas. Finish for all exposed surfaces: _____ [Satin] [Bright] [Powdercoated Color _____] [Plated Color _____]. Mirror: [1/4" Float plate glass (6mm) with electrolytic copper back, guaranteed 15 years against silver spoilage] [Stainless steel bright finish type 304 (18-8) 18 gauge (1.2mm)] [1/4" Tempered glass (6mm) with electrolytic copper back, guaranteed 15 years against silver spoilage] [1/4" Laminated glass] [Plexiglass 1/4" acrylic plastic]. Shelf: Stainless steel type 304 (18-8) 18 gauge x 5" deep (1.2x127mm), finish to match frame. Edges returned 5/8" (16mm) for maximum rigidity and safety; corners heliarc welded, ground and polished smooth. Shelves longer than 118" (300cm) are furnished as two pieces butted together. Mirror Dimensions: _____ x _____ (Width x Height).



Materials/Workmanship

- Frame** Stainless steel type 304 (18-8) 18 gauge (1.2mm), roll formed. Ends are mitered and notches cut before all corners are heliarc welded, ground and polished smooth, forming a single structural unit. Locking tabs are spot welded to the inside of frame prior to polishing.
- Back Plate** Galvanized steel 22 gauge (0.7mm). Corrosion resistant. Holes drilled in support areas.
- Plate Glass Mirror** No. 1 quality 1/4" (6mm) select float glass with electrolytic copper back. Guaranteed 15 years against silver spoilage. Maximum size is 144" x 72" (3658 x 1829 mm).
- Stainless Steel Mirror** Stainless steel type 430 (18-8) 18 gauge (1.2mm) bright annealed. Protected during shipment with PVC covering. Maximum size is 120" x 48" (3048 x 1219 mm).
- Tempered Glass Mirror** 1/4" Tempered glass (6mm) with electrolytic copper back. Maximum size is 24" x 36" (610 x 914 mm).
- Mirror Backing** Resilient ethafoam strips provide cushioning while leaving ample room for ventilation.
- Shelf** Stainless steel type 304 (18-8) 18 gauge x 5" deep (1.2 x 127 mm), finish to match frame. Edges returned 5/8" (16mm) for maximum rigidity and safety; corners are heliarc welded, ground and polished smooth. Shelves longer than 118" (2997 mm) are furnished as two pieces butted together.



Sizes

| Qty. | Width | Height | Qty. | Width | Height | Qty. | Width | Height |
|-------|-------|--------|-------|-------|--------|-------|-------|--------|
| _____ | 16" | x 20" | _____ | 18" | x 24" | _____ | 24" | x 24" |
| _____ | 16" | x 22" | _____ | 18" | x 30" | _____ | 24" | x 30" |
| _____ | 16" | x 24" | _____ | 18" | x 36" | _____ | 24" | x 36" |
| _____ | 16" | x 30" | | | | | | |

- Sizes are overall frame dimensions. Manufacturing tolerance for TSM mirrors is $\pm 1/8"$ (3.2mm).
- For sizes larger than shown, contact the factory. Custom dimensions available.
- Sizes larger than 118" x 48" will be fabricated in two sections (2997 x 1219 mm).
- Figure approximately 5 pounds per square foot for the mirror and 1 1/2 pounds per linear foot for the shelf.



Installation

1. Line up mounting holes on shelf with mounting holes on mirror back plate and surface mount to wall at locations marked by an "S". It is the installer's responsibility to select fasteners that are appropriate for the wall condition and application. For dry wall or plaster, provide in-wall backing to comply with local building codes.
2. After shelf and back plate are secured to wall, place mirror in frame, position frame over back plate and snap into place for a vandal-resistant installation with no exposed fasteners.
3. To remove an installed mirror, insert flat piece of metal such as a wide-blade screwdriver at 2" (51mm) in from the top corners to unsnap the snap-lock frame.



Guarantee

TSM M-8 Angle Frame Mirrors with Shelves are guaranteed against defects in workmanship and material for one year from shipping date. Plate glass and tempered glass are guaranteed against silver spoilage for 15 years.