



# Tubular Specialties Manufacturing, Inc.

13011 South Spring Street, Los Angeles, CA 90061-1685  
 Phone 800/CALL TSM (800/225-5876) or 310/515-4801  
 www.grabbar.com • Fax 310/217-0653

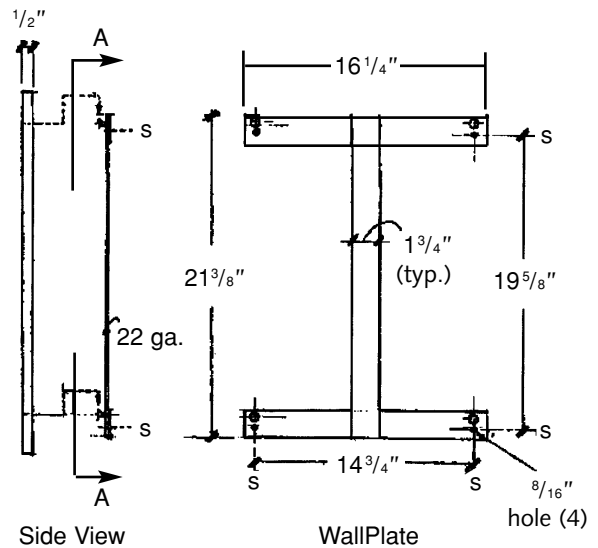
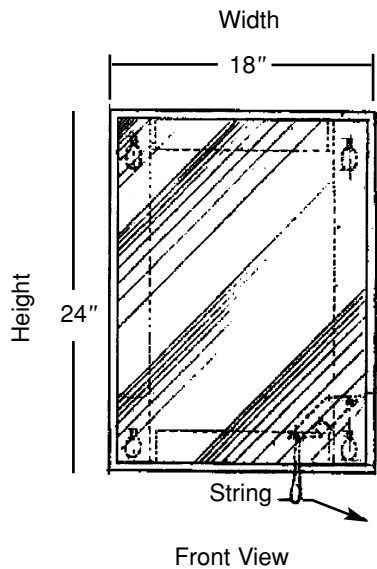
# M-21

## Channel Frame Mirror

### Technical Data

Revised Dec. 2003

Page 1 of 2



### Finishes and Model Numbers

- Bright** The standard finish, also known as bright annealed or polished finish. A look that is similar to chrome.
- Satin** Also known as #4 brushed finish.
- Powdercoated** White, Almond, Biscuit, Parchment, Light Mocha, Taupe, Rosy Taupe, Wheat, Sun Gold, Nutmeg, Vanilla, Navy, Slate Blue, Gray, Seafoam Green, Forest Green, Verdigris, Turquoise, Pink, Red, Black.
- Plated** All plated products have a clear baked enamel finish. *Colors:* Bright Brass, Satin Brass, Antique Brass, Antique Bronze, Satin Bronze, Black Nickel, Satin Nickel, Bright Copper.

### MIRROR

FRAME FINISH

	Plate Glass	Stainless Steel	Tempered Glass	Laminated	Plexiglass
Bright	<input type="checkbox"/> M-21	<input type="checkbox"/> M-21-6	<input type="checkbox"/> M-21-7	<input type="checkbox"/> M-21-8	<input type="checkbox"/> M-21-9
Satin	<input type="checkbox"/> M-021	<input type="checkbox"/> M-021-6	<input type="checkbox"/> M-021-7	<input type="checkbox"/> M-021-8	<input type="checkbox"/> M-021-9
Powdercoated	<input type="checkbox"/> M-21/POWD	<input type="checkbox"/> M-21-6/POWD	<input type="checkbox"/> M-21-7/POWD	<input type="checkbox"/> M-21-8/POWD	<input type="checkbox"/> M-21-9/POWD
Plated	<input type="checkbox"/> M-21/PLAT	<input type="checkbox"/> M-21-6/PLAT	<input type="checkbox"/> M-21-7/PLAT	<input type="checkbox"/> M-21-8-PLAT	<input type="checkbox"/> M-21-9/PLAT



## Suggested Architectural Specification

TSM model # \_\_\_\_\_ [fill in model number] Channel Frame Mirror from TSM. Tubular Specialties Manufacturing, Inc., 13011 So. Spring St., Los Angeles, California, 90061, 310/515-4801 or 800/Call TSM (800/225-5876). Frame: Stainless steel type 430 22 gauge (.7mm) channel, roll formed. Wall Plate: Galvanized steel strips 22 gauge (.7mm), corrosion resistant. Frame Finish: \_\_\_\_ [Satin] [Bright] [Powdercoated Color \_\_\_\_] [Plated Color \_\_\_\_]. Mirror: [<sup>1</sup>/<sub>4</sub>" Plate glass (6.4mm) with electrolytic copper back, guaranteed 10 years against silver spoilage] [Stainless steel bright annealed finish type 430 18 gauge (1.2mm)] [<sup>1</sup>/<sub>4</sub>" Tempered glass (6.4mm) with electrolytic copper back, guaranteed 10 years against silver spoilage] [<sup>1</sup>/<sub>4</sub>" Laminated glass] [Plexiglass <sup>1</sup>/<sub>4</sub>" acrylic plastic]. Mirror Dimensions: \_\_\_\_ x \_\_\_\_ (Width x Height).



## Materials/Workmanship

<b>Frame</b>	Stainless steel type 430 22 gauge (.7mm) channel, roll formed.
<b>Wall Plate</b>	Galvanized steel strips, 22 gauge (0.7mm). Corrosion resistant. Holes drilled in support areas.
<b>Plate Glass Mirror</b>	<sup>1</sup> / <sub>4</sub> " Plate glass (6.4mm) with electrolytic copper back. Maximum size is 72" x 60".
<b>Stainless Steel Mirror</b>	Stainless steel type 430 18 gauge (1.2mm) bright annealed. Protected during shipment with PVC Covering. Maximum size is 120" x 48".
<b>Tempered Glass Mirror</b>	<sup>1</sup> / <sub>4</sub> " Tempered glass with electrolytic copper back. Maximum size is 72" x 60".
<b>Laminated Glass</b>	<sup>1</sup> / <sub>4</sub> " Thick (6.4mm). Maximum size is 72" x 60" (1829 x 1524 mm).
<b>Plexiglass</b>	<sup>1</sup> / <sub>4</sub> " Acrylic plastic (6.4mm) lightweight and shatter resistant.



## Sizes

- Sizes are overall frame dimensions. Specify width first, then height.
- For sizes larger than shown, contact the factory. Sizes larger than 72" x 60" will be fabricated in two sections.
- Figure approximately 5 pounds per square foot.

**Standard Sizes** 12" x 18", 16 x 20", 16" x 22", 16 x 24", 16" x 30", 18" x 24", 18" x 30", 18" x 36", 20" x 60", 24 x 24", 24" x 30", 24" x 36", 24" x 48", 24" x 60", 24" x 72", 30" x 48"

Qty.	Width	Height	Qty.	Width	Height	Qty.	Width	Height
_____	_____	x _____	_____	_____	x _____	_____	_____	x _____



## Installation

1. In accordance with "This Side Up" notation, surface mount the wall plate to wall at locations marked by an "S". It is the installer's responsibility to select fasteners that are appropriate for the wall condition and application.
2. After wall plate is secured to wall, center mirror over the wall plate and slide down to hook. Check all four corners to ensure that the shoulder bolts on the wall plate have slid into slots on the back of the mirror.
3. Facing the mirror, pull string at the lower right hand corner outward to lock. Cut and remove string after installation.
4. To replace glass or remove mirror after installation, insert Mirror Frame Removal Tool (TSM Model M-30) between frame and wall 2<sup>1</sup>/<sub>2</sub>" in and 1<sup>1</sup>/<sub>2</sub>" up from lower right corner (when facing mirror) and slide locking bar approximately 1" to unlock catch. Push frame up to remove from wall plate.



*Guarantee*

TSM M-21 Channel Frame Mirrors are guaranteed against defects in workmanship and material for one year from shipping date. Plate glass and tempered glass are guaranteed against silver spoilage for 10 years.