



## Tubular Specialties Manufacturing, Inc.

13011 South Spring Street, Los Angeles, CA 90061-1685

Phone 800/Grab Bar (800/472-2227) or 310/515-4801

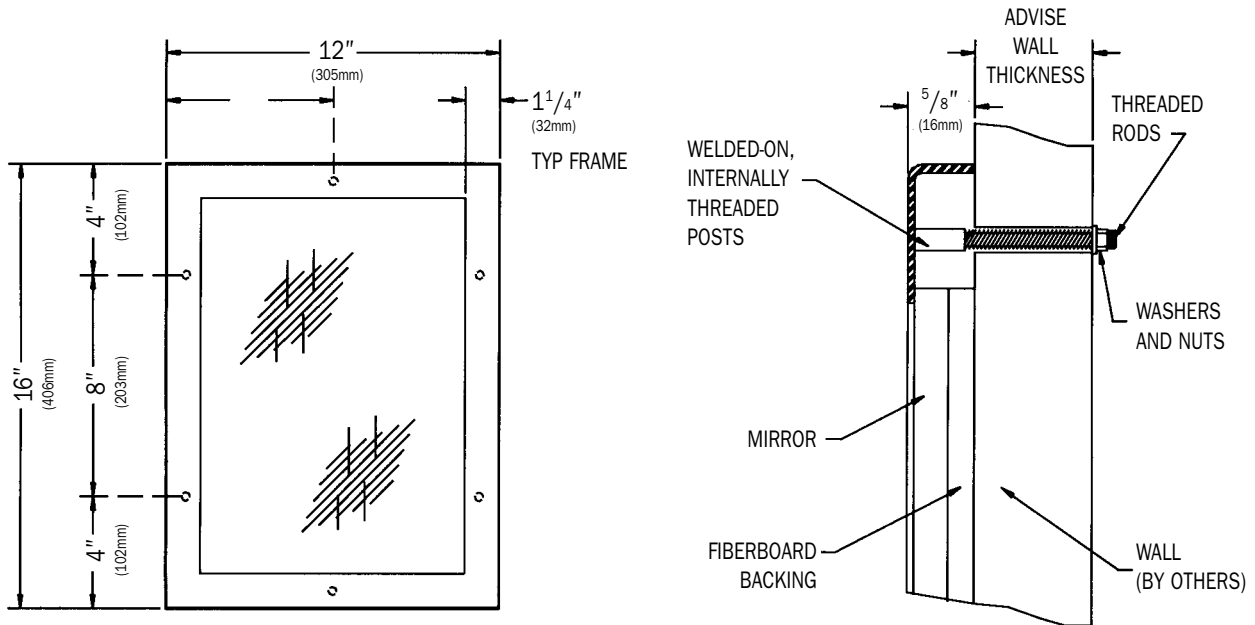
www.GrabBar.com • Fax 310/217-0653

# M-032-R-BA

## Framed Security Mirror Rear Mounting, Bright Annealed Finish Glazing

### Technical Data

Revised January 2008



## Specification

Chase Mounted Security Framed Mirror shall have frame fabricated of alloy 18-8 stainless steel, type 304, 14 gauge. Structural assembly of frame components shall be of welded construction with six (6) welded-on threaded posts. All exposed surfaces shall be #4 satin finish. Unit shall be provided with fiberboard backing. Glazing shall be stainless steel bright annealed finish. Mounting hardware shall be sized and supplied for a wall thickness [up to 6" 9152mm] [8" (203mm)] [of \_\_\_\_\_ (specify thickness)].

**Framed Security Mirror, Rear Mounting shall be model M-032-R-BA as manufactured by Tubular Specialties Manufacturing, 13011 South Spring Street, Los Angeles, California 90061, tel 800-Grab Bar.**



## Installation

- Unit is anchored through wall or partition using six (6) 1/4-20 threaded rods, washers and nuts (supplied by TSM).
  - Up to 6"
  - 8"
  - Over 8" (Thickness: \_\_\_\_\_).
- For compliance with ADA Accessibility Guidelines, bottom edge of reflecting surface should be installed 40" (1016mm) maximum above finished floor.
- For proper installation hardware selection, specify the wall thickness on which the unit is to be mounted as follows:
  - Accessories should be inspected periodically to make sure their attachment to the wall is not loosening.



TSM M-032-R-BA Framed Security Mirror is guaranteed against defects in workmanship and material for one year from shipping date.