



Tubular Specialties Manufacturing, Inc.

13011 South Spring Street, Los Angeles, CA 90061-1685

Phone 800/Grab Bar (800/472-2227) or 310/515-4801

www.GrabBar.com • Fax 310/217-0653

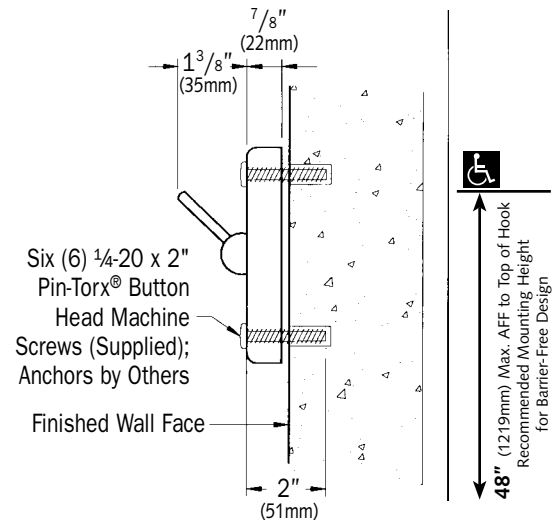
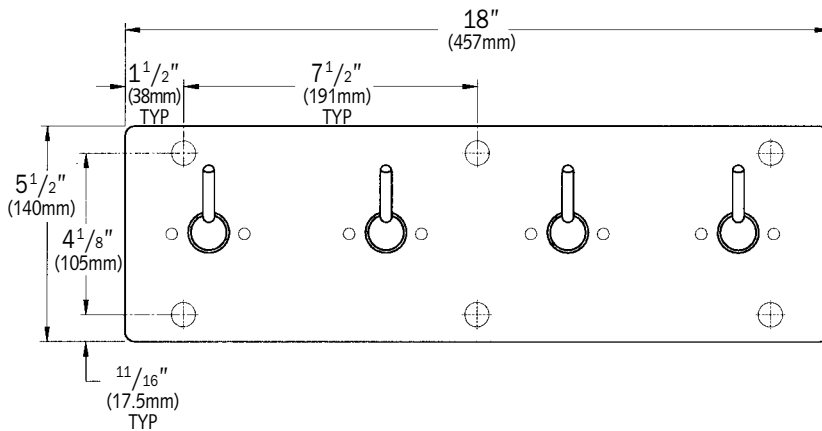
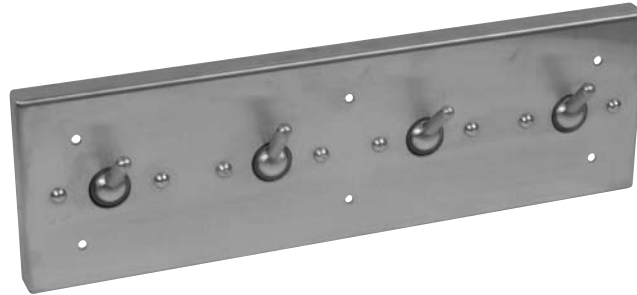
897-18

Security Clothes/Towel Hook Strip

Front Mounting

Technical Data

Revised April 2008



Specification

Surface Mounted Security Clothes/Towel Hook shall be type 304 (18-8) stainless steel. Back plate shall be 14 gauge. Four (4) clothes hooks shall be solid bar 3/8" diameter (10mm) of one-piece construction with 1" diameter (25mm) swivel trip-ball. Safety hooks shall snap down when load exceeds 35 pounds (16kg) limit. Trip-ball socket housing shall prevent hooks from being set in vertical-up position. All exposed surfaces shall have

#4 satin finish. Unit is provided with six (6) clear mounting holes that shall accept 1/4-20x2" long (51mm) stainless steel pin-Torx® button head machine screws (supplied).

Surface Mounted Security Clothes/Towel Hook shall be model 897-18 as manufactured by Tubular Specialties Manufacturing, 13011 South Spring Street, Los Angeles, California 90061, tel 800-Grab Bar.



Operation

Clothes/towel hooks are tensioned to release down when overloaded beyond the 35 pound (16kg) limit.



Installation

- To comply with ADA Accessibility Guidelines, recommended mounting height for top of hooks is 48" (1219mm) maximum above finished floor (AFF).
- Unit is surface mounted to finished wall with six (6) 1/4-20x2" (51mm) pin-Torx® button head machine screws (supplied) into wall anchors (by others) through mounting holes provided.

Anchors to be supplied by installer to suit wall condition.

- Accessories should be inspected periodically to make sure their attachment to the wall is not loosening.



Guarantee

TSM 897-18 Security Clothes/Towel Hook is guaranteed against defects in workmanship and material for one year from shipping date.