



Tubular Specialties Manufacturing, Inc.

13011 South Spring Street, Los Angeles, CA 90061-1685

Phone 800/Grab Bar (800/472-2227) or 310/515-4801

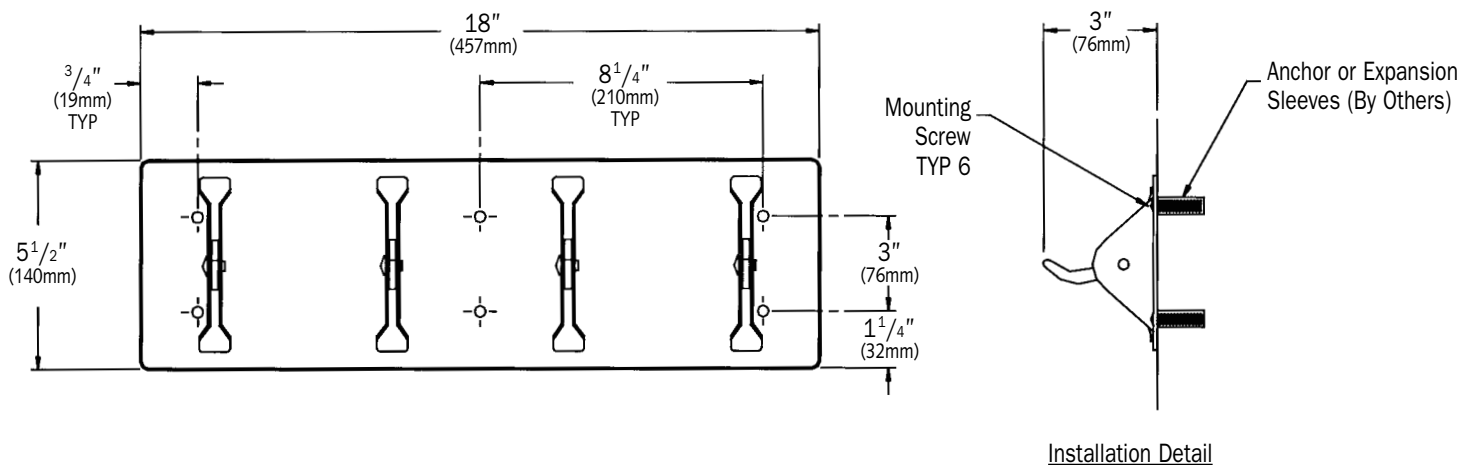
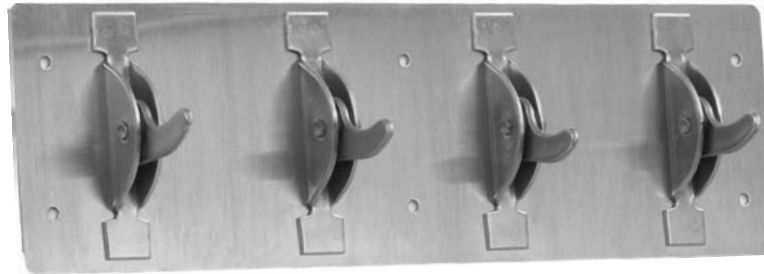
www.GrabBar.com • Fax 310/217-0653

896-18

Security Clothes/Towel Hook Strip, Front Mounting

Technical Data

Revised May 2007



Specification

Security Clothes/Towel Hook Strip for Front Mounting shall include a wall plate with six (6) mounting holes and four (4) safety hook brackets. All components shall be fabricated of alloy 18-8 stainless steel, type 304; 14 gauge for wall plate, 11 gauge for bracket, and 7 gauge for hook. Safety hooks shall be secured to brackets with tamper-resistant stainless steel spanner screws and shall tip downward when load exceeds limit

set by adjusting tension on rubber friction washers with screw. All exposed surfaces shall be #4 satin finish.

Security Clothes/Towel Hook Strip, Front Mounting shall be Model 896-18 as manufactured by Tubular Specialties Manufacturing, 13011 South Spring Street, Los Angeles, California 90061, tel 800-Grab Bar.



Installation

1. Unit is surface mounted to wall or partition using six (6) 1/4 - 20 x 2" long pan head pin-Torx® machine screws (supplied) into suitable anchors (by others) or alternate wall preparation (by others).
2. It is the installer's responsibility to select fasteners that are appropriate for the wall or partition condition and application.
3. For compliance with ADA Accessibility Guidelines, unit should be installed so that the centerline of the hook strip

- is 54" (1372mm) maximum above finished floor (AFF) when clear floor side reach access is provided, or 48" (1219mm) maximum AFF if clear floor forward reach access is provided.
4. Accessories should be inspected periodically to make sure their attachment to the wall is not loosening.



Guarantee

TSM Security Clothes/Towel Hook Strip, Front Mounting is guaranteed against defects in workmanship and material for one year from shipping date.