



Since 1966

# Tubular Specialties Manufacturing, Inc.

13011 South Spring Street, Los Angeles, CA 90061-1685

Phone 800/CALL TSM (800/225-5876) or 310/515-4801

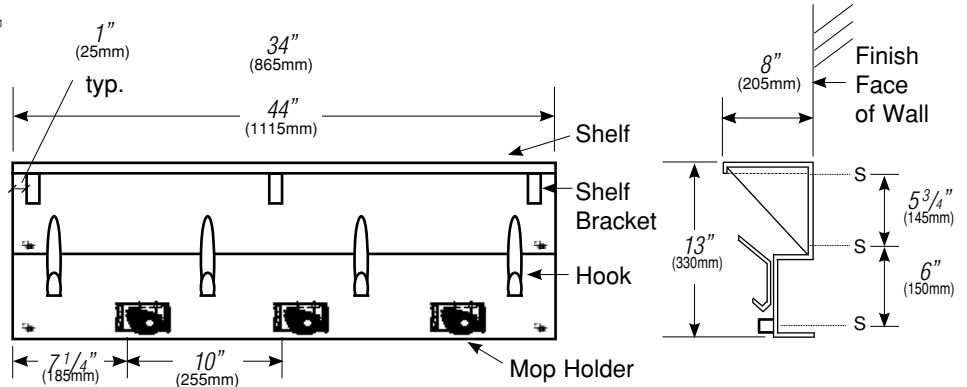
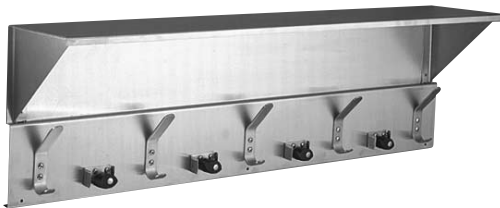
www.GrabBar.com • Fax 310/217-0653

# 894

## 8" Deep Utility Shelf with Hooks & Mop Strip

### Technical Data

Revised June 2007



### Model Numbers

- 894-34** 34" Length (865mm) - 3 Mop and Broom Holders, 4 Hooks, 2 Shelf Brackets, 6 Mounting Holes
- 894-44** 44" Length (1115mm) - 4 Mop and Broom Holders, 5 Hooks, 3 Shelf Brackets, 8 Mounting Holes

### Suggested Architectural Specification

Model [894-34] [894-44] 8" Deep Utility Shelf with Hooks and Mop Strip mounting base and shelf shall be stainless steel satin finish type 304 (18-8) 18 gauge (1.2mm), all-welded construction. Shelf shall be 8" deep with 3/4" return edge on all three sides (205 & 19mm). Shelf support brackets shall be stainless steel satin finish type 304 (18-8) 16 gauge (1.6mm),

welded to mounting base and shelf. Unit shall be [34"] [44"] long with [3] [4] 16 gauge hooks (1.6mm) and [3] [4] spring-loaded rubber cam holders.

**8" Deep Utility Shelf with Hooks and Mop Strip shall be [894-34] [894-44] as manufactured by Tubular Specialties Manufacturing, 13011 South Spring Street, Los Angeles, California 90061, tel 800-Grab Bar.**

### Materials/Workmanship

- Mounting Base & Shelf** Stainless steel 18 gauge (1.2mm) type 304 (18-8) sheet metal with satin finish, all-welded construction. Shelf is 8" deep with 3/4" return edge on all three sides; front edge hemmed for safety ( 205 & 19mm).
- Shelf Support Brackets** Stainless steel 16 gauge (1.6mm) type 304 (18-8) sheet metal with satin finish, welded to mounting base and shelf.
- Hooks** Stainless steel 12 gauge (2.8mm) type 304 (18-8) sheet metal with satin finish. Each hook attached to mounting strip with two rivets.
- Mop and Broom Holders** Spring-loaded, serrated rubber cams riveted to a formed section of 15 gauge (1.8mm) steel; will accommodate broom handles from 7/8" (22mm) to 1 1/4" (32mm). Secured to base edge with 3/8" (10mm) stainless steel screws and hex nuts.

### Installation

Unit is surface mounted on wall at locations marked by an "S". For plaster or dry wall, provide in-wall backing to comply with local building codes. It is the installer's responsibility to select fasteners that are appropriate for the wall or partition condition and application. Accessories should be inspected periodically to make sure their attachment to the wall is not loosening.

Manufacturer reserves the right to alter design or dimensions without formal notice and without incurring obligation.



TSM 894 8" Deep Utility Shelf with Hooks and Mop Strip is guaranteed against defects in workmanship and material for one year from shipping date.