



Tubular Specialties Manufacturing, Inc.

13011 South Spring Street, Los Angeles, CA 90061-1685

Phone 800/Grab Bar (800/472-2227) or 310/515-4801

www.GrabBar.com • Fax 310/217-0653

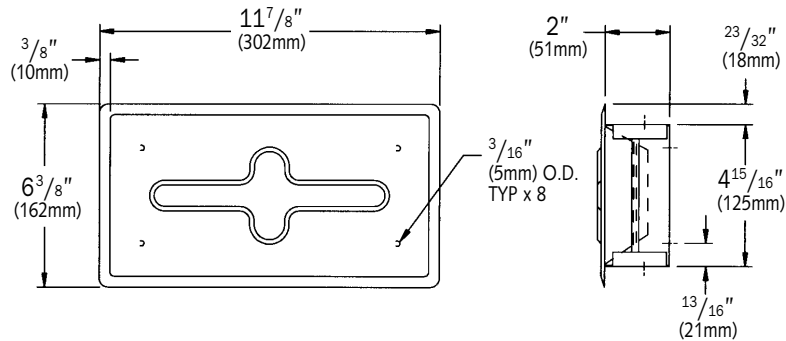
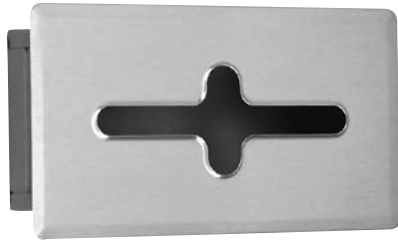
873

Technical Data

Revised Jan. 2008

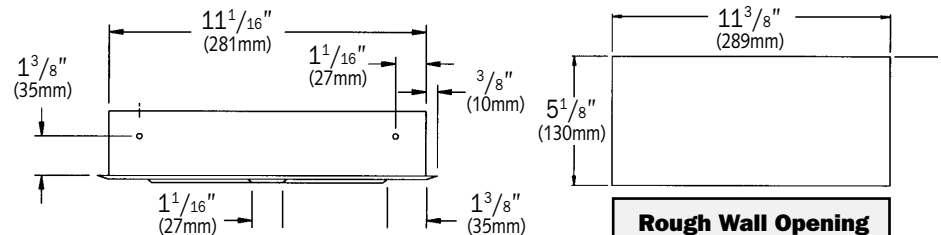
Recessed Facial Tissue Dispenser

2" Deep



Finish Options

- Model 873S
Satin Finish
- Model 873B
Bright Finish



Rough Wall Opening

11³/₈" Wide (289mm)
 5¹/₈" High (130mm)
 2¹/₈" Deep (54mm)



Specification

Recessed Facial Tissue Dispenser shall hold and dispense fifty (50) two-ply sheets or 300 single sheets. Cover shall be fabricated of alloy 18-8 stainless steel, 22 gauge and shall be protected during shipment with PVC film easily removable after installation. Cover shall be held closed by concealed hooks located on each side that fit into clips inside cabinet. Cabinet shall be fabricated of 26 gauge corrosion-resistant steel. Tissue

dispensing slot shall be smooth and rounded. Cabinet shall have mounting holes located all around. All exposed surfaces shall be [satin] [bright] as chosen by option and indicated by code suffix S or B.

Recessed Facial Tissue Dispenser shall be Model [873S] [873B] as manufactured by Tubular Specialties Manufacturing, 13011 South Spring Street, Los Angeles, California 90061, tel 800-Grab Bar.



Operation

Tissues are manually retrieved through the tissue dispensing slot. To refill the dispenser, remove the cover by disengaging the hooks from the side wall clips and reload with fresh,

opened supply box. Feed first sheet through the slot to start, then replace the cover. Supply is replenished on a cycle determined by maintenance needs.



Installation

1. To comply with ADA Accessibility Guidelines, install unit so that tissue dispenser slot is 54" (1372mm) maximum above finish floor (AFF) if clear floor side reach access is provided, or 48" (1219mm) maximum AFF if clear floor forward reach access is provided, or 46" (1168mm) maximum AFF if side reach over an obstruction (i.e. vanity) is only provided.
2. For general utility, mount dispenser 48"-60" (1219mm-1524mm) AFF from top of dispenser.
3. Rough wall opening is 11³/₈" wide x 5¹/₈" high x 2¹/₈" deep (289mm x 130mm x 54mm).
4. It is the installer's responsibility to select fasteners that are appropriate for the wall or partition condition and application.
5. Secure dispenser with fasteners (by others) through mounting holes in rear of cabinet.
6. Accessories should be inspected periodically to make sure their attachment to the wall is not loosening.



TSM 873 Recessed Facial Tissue Dispenser is guaranteed against defects in workmanship and material for one year from shipping date.