



Tubular Specialties Manufacturing, Inc.

13011 South Spring Street, Los Angeles, CA 90061-1685

Phone 800/Grab Bar (800/472-2227) or 310/515-4801

www.GrabBar.com • Fax 310/217-0653

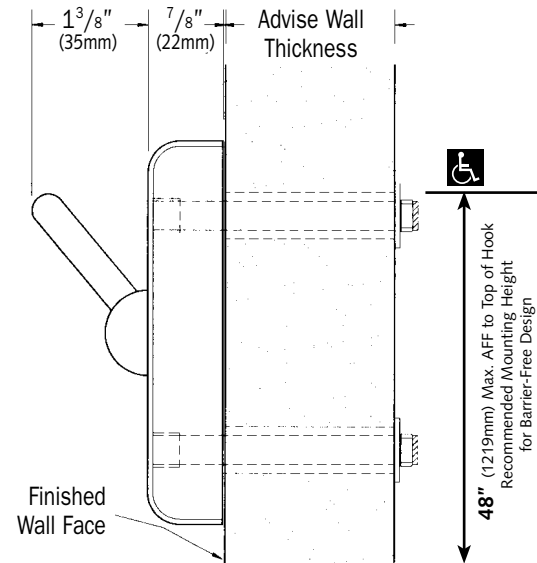
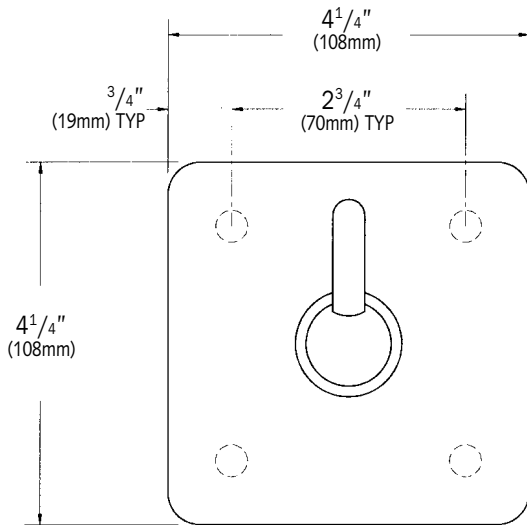
866-AR

Square Security Clothes Hook

Rear Mounting

Technical Data

Revised April 2008



Specification

Rear Mounted Security Clothes Hook shall be type 304 (18-8) stainless steel. Hook shall be solid bar 3/8" diameter (10mm) of one-piece construction with 1" diameter (25mm) swivel trip-ball. Wall plate shall be 14 gauge and shall have four (4) welded-on rear mounted 1/4-20 internally-threaded posts that shall receive 1/4-20 threaded zinc-plated steel studs (supplied) of length specified to suit field conditions and shall include washers and nuts. Safety hook shall snap down when load

exceeds 35 pounds (16kg) limit. Trip-ball socket housing shall prevent hook from being set in vertical-up position. All exposed surfaces shall have #4 satin finish.

Rear Mounted Security Clothes Hook shall be model 866-AR as manufactured by Tubular Specialties Manufacturing, 13011 South Spring Street, Los Angeles, California 90061, tel 800-Grab Bar.



Operation

Clothes hook is tensioned to release down when overloaded beyond the 35 pound (16kg) limit.



Installation

- To comply with ADA Accessibility Guidelines, recommended mounting height for top of hook is 48" (1219mm) maximum above finished floor (AFF).
- Unit is supplied as standard with threaded studs suitable for mounting on walls up to 6" (152mm) thick.
Note: In order to fabricate studs of adequate length, indicate **WALL THICKNESS** below:
- Locate and drill 3/8" to 7/16" diameter (10-11mm) holes through wall or partition to install threaded studs from rear.
- Accessories should be inspected periodically to make sure their attachment to the wall is not loosening.

Note: In order to fabricate studs of adequate length, indicate **WALL THICKNESS** below:

- Up to 6" (152mm) - Standard
- 8" (203mm)
- Over 8" - Specify W = _____ Inches



Guarantee

TSM 866-AR Security Clothes Hook is guaranteed against defects in workmanship and material for one year from shipping date.