



Tubular Specialties Manufacturing, Inc.

13011 South Spring Street, Los Angeles, CA 90061-1685

Phone 800/Grab Bar (800/472-2227) or 310/515-4801

www.GrabBar.com • Fax 310/217-0653

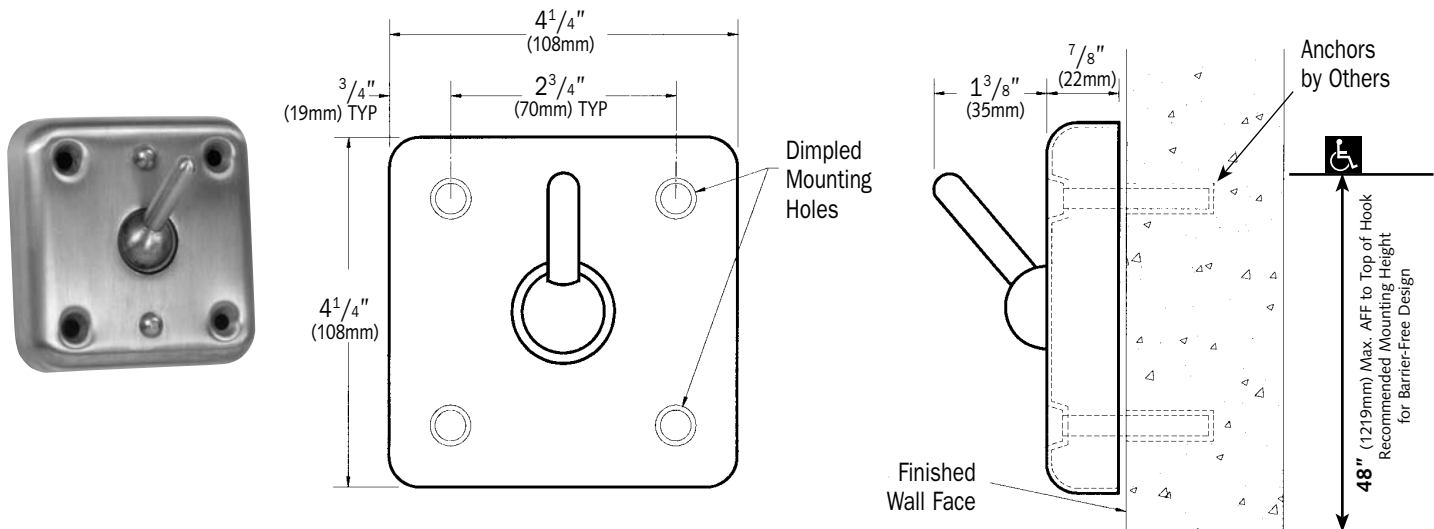
866-AF

Square Security Clothes Hook

Front Mounting

Technical Data

Revised April 2008



Specification

Front Mounted Security Clothes Hook shall be type 304 (18-8) stainless steel. Hook shall be solid bar 3/8" diameter (10mm) of one-piece construction with 1" diameter (25mm) swivel trip-ball. Wall plate shall be 14 gauge and shall have four (4) dimpled mounting holes for 1/4-20 flat head pin-Torx® machine screws (supplied). Safety hook shall snap down when load exceeds 35 pounds (16kg) limit. Trip-ball socket housing shall prevent hook from being set in vertical-up position. All exposed

surfaces shall have #4 satin finish.

Front Mounted Security Clothes Hook shall be model 866-AF as manufactured by Tubular Specialties Manufacturing, 13011 South Spring Street, Los Angeles, California 90061, tel 800-Grab Bar.



Operation

Clothes hook is tensioned to release down when overloaded beyond the 35 pound (16kg) limit.



Installation

1. To comply with ADA Accessibility Guidelines, recommended mounting height for top of hook is 48" (1219mm) maximum above finished floor (AFF).
2. Unit is front mounted to wall or partition using four (4) 1/4-20x2" (51mm) flat head pin-Torx® machine screws (supplied) into suitable anchors (by others) or alternate wall preparation (by others). Anchors to be supplied by installer to suit wall condition.
3. Accessories should be inspected periodically to make sure their attachment to the wall is not loosening.



TSM 866-AF Security Clothes Hook is guaranteed against defects in workmanship and material for one year from shipping date.