



Tubular Specialties Manufacturing, Inc.

13011 South Spring Street, Los Angeles, CA 90061-1685

Phone 800/Grab Bar (800/472-2227) or 310/515-4801

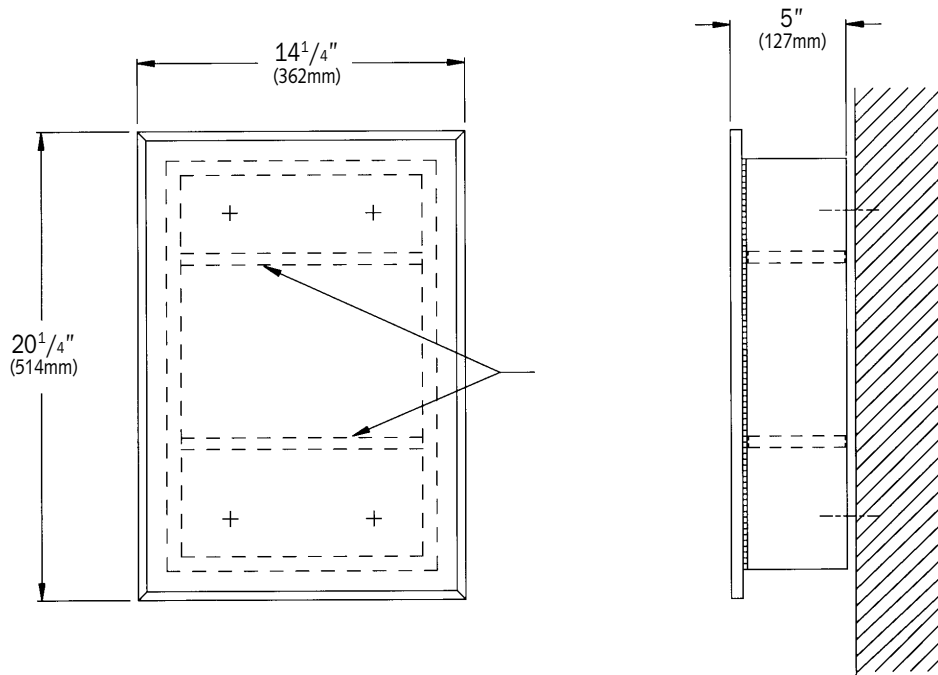
www.GrabBar.com • Fax 310/217-0653

5415

Surface Mounted Mirrored Swing Door Medicine Cabinet

Technical Data

Revised June 2006



Specification

Surface Mounted Mirrored Swing Door Medicine Cabinet shall be fabricated of cold-rolled steel with a white baked enamel finish. Cabinet shall be provided with two (2) white baked enamel steel shelves. Stainless steel door channel frame shall be attached to cabinet with piano hinge, painted to match cabinet, and held closed by magnetic catch. Mirror

shall be No. 1 quality 1/4" (6mm) thick polished float/plate glass, and shall be warranted for 15 years against silver spoilage.

Surface Mounted Mirrored Swing Door Medicine Cabinet shall be Model 5415 as manufactured by Tubular Specialties Manufacturing, 13011 South Spring Street, Los Angeles, California 90061, tel 800-Grab Bar.



Operation

User pulls door to access contents and manually pushes door shut.



Installation

1. For general utility, mount cabinet 46" (1168mm) above finished (AFF) from bottom of unit, or 12" (305mm) above top of wash basin. Secure cabinet in place with four (4) fasteners (provided by others) through mounting holes in cabinet back. Cabinet is universal for left-hand door swing and may be inverted to produce a door with a right-hand swing if required. To comply with ADA Accessibility Guidelines, install unit so that the bottom edge of the reflecting surface is no higher than 40" (1016mm) AFF.
2. It is the installer's responsibility to select fasteners that are appropriate for the wall or partition condition and application.
3. Accessories should be inspected periodically to make sure their attachment to the wall is not loosening.



TSM 5415 Medicine Cabinet is guaranteed against defects in workmanship and material for one year from shipping date.