



Tubular Specialties Manufacturing, Inc.

13011 South Spring Street, Los Angeles, CA 90061-1685

Phone 800/Grab Bar (800/472-2227) or 310/515-4801

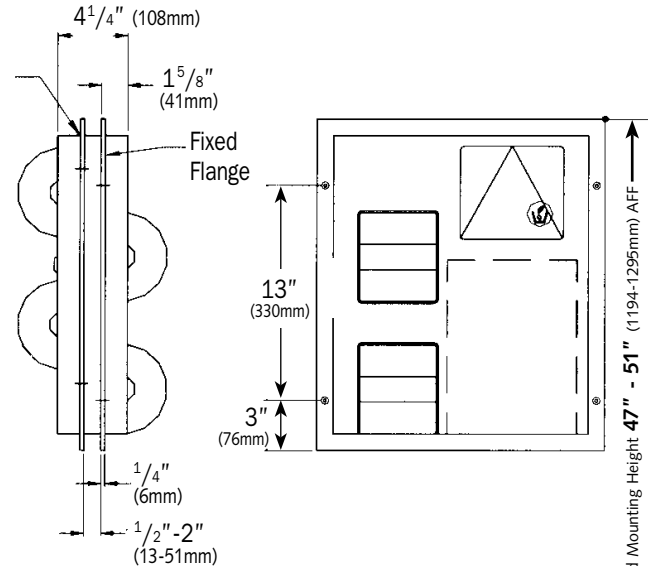
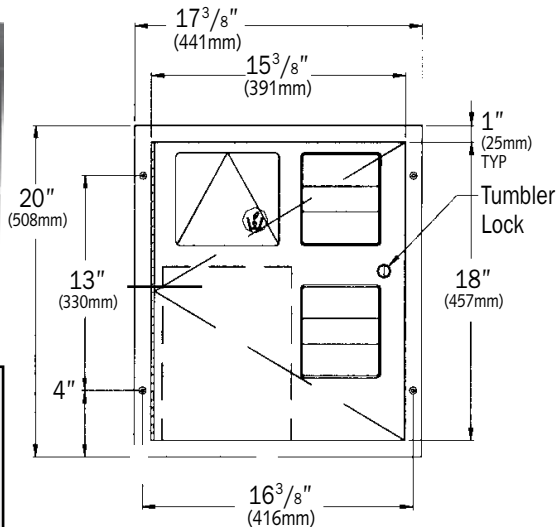
www.GrabBar.com • Fax 310/217-0653

5369

Technical Data

Revised September 2007

Dual Access Toilet Paper Dispenser with Napkin Disposal



Partition Cutout

15 1/2" Wide (395mm)

27 7/8" High (735mm)

Note: Cutout is 7/8" below top of face trim



Specification

Partition Mounted Dual Access Toilet Paper Dispenser and Sanitary Disposal shall hold and dispense four (4) rolls standard or 1800 sheet 4 1/2" x 5 1/4" (114mm x 133mm) dia. toilet paper. Removable waste container shall have a waste capacity of 1.3 gal (4.9 liters) or 300 in³ (.005 m³). Waste disposal door and toilet paper dispenser door shall be fabricated of 18 gauge type 304 stainless steel alloy 18-8. Face frame and cabinet shall be 22 gauge. All exposed surfaces shall have No. 4 satin finish and be protected by PVC film easily removed after installation. Disposal doors shall be hung on spring-tensioned hinges and shall have international graphic waste disposal symbol. Cabinet door shall be attached to cabinet at side with a full-length 3/16" (5mm) dia. stainless steel multi-staked piano

hinge and shall be held closed with a tumbler lock keyed alike to other TSM Washroom Equipment. Face trims shall be 1" (25mm) wide formed from one piece with no mitres, welding or open seams and have 1/4" (6mm) square returns to face of partition. Structural assembly of all components shall be of welded construction. Internal baffles shall prevent line-of-sight view from either side through unit at any time. Cabinet shall include theft and vandal-resistant rollers that shall be of molded high-impact resistant plastic with integral molded-in stainless steel endpins and four (4) rollers shall be supplied.

Dual Access Toilet Paper Dispenser with Napkin Disposal shall be Model 5369 as manufactured by Tubular Specialties Manufacturing, 13011 South Spring Street, Los Angeles, California 90061, tel 800-Grab Bar.



Operation

Push self-closing disposal door to deposit waste material. Doors operate independently and may be used simultaneously. Seat covers are self-feeding until supply is depleted. Toilet paper rolls feed freely until depleted; level of supply is constantly visible. Waste receptacle is emptied manually on cycle determined by maintenance needs. Toilet paper rolls and

waste receptacles are serviced from one side by unlocking and opening door; locked door prevents inadvertent dumping and unauthorized removal. Waste container safety-edged finger hole provides convenient grip for service. Toilet paper spindles are carried in vandal-resistant sub-frame accessible when door is opened. Barrier baffle panels preserve privacy between stalls at all times.



Installation

1. Recommended mounting height from finish floor to top of unit is 47" to 51" (1194-1295mm) above finished floor (AFF). Note that partition cutout is 7/8" (22mm) below top of face trim. Consult local codes to assure compliance.
2. Unit is mounted in partition. Partition cutout required is 15 1/2" W x 18 1/4" H. The adjustable flange will accommodate a partition thickness from 1/2" to 2".
3. It is the installer's responsibility to select fasteners that are appropriate for the partition condition and application.
4. Accessories should be inspected periodically to make sure their attachment to the partition is not loosening.



TSM 5369 TP Dispenser with Napkin Disposal is guaranteed against defects in workmanship and material for one year from shipping date.

Recommended Mounting Height 47" - 51" (1194-1295mm) AFF