



Tubular Specialties Manufacturing, Inc.

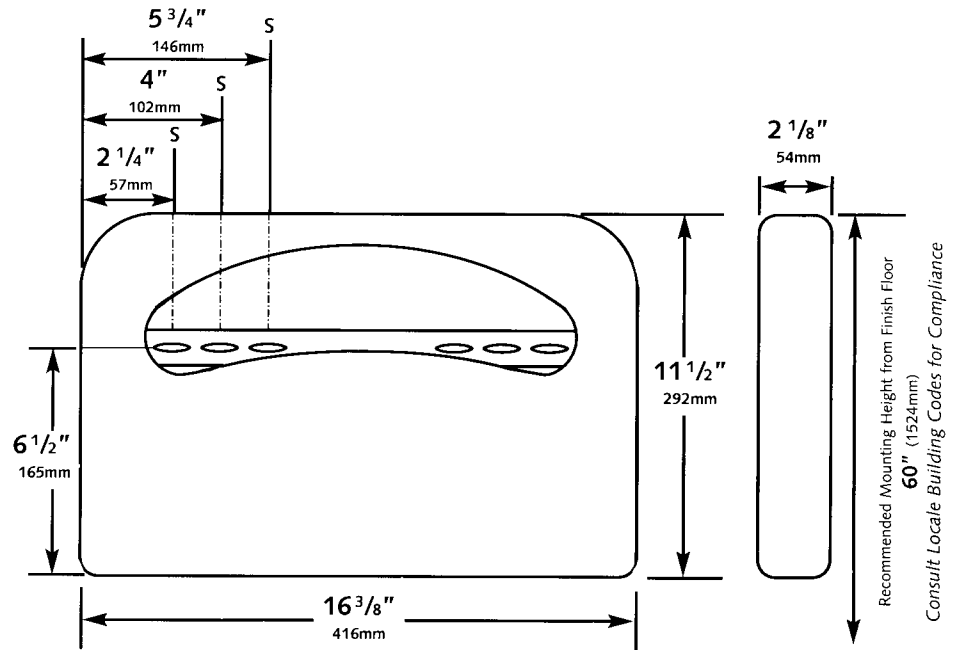
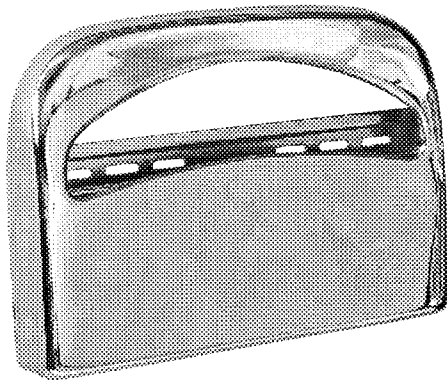
13011 South Spring Street, Los Angeles, CA 90061-1685
Phone 800/Grab Bar (800/472-2227) or 310/515-4801
www.GrabBar.com • Fax 310/217-0653

5310- SCR

Surface Mounted Chrome Plated Steel Toilet Seat Cover Dispenser

Technical Data

Revised June 2004



Specification

Surface Mounted Chrome Plated Steel Toilet Seat Cover Dispenser shall have a capacity of 250 single or half-fold toilet seat covers. Refills shall be through concealed opening from bottom.

Chrome Plated Steel Toilet Seat Cover Dispenser shall be Model 5310-SCR as manufactured by Tubular Specialties Manufacturing, 13011 South Spring Street, Los Angeles, California 90061, tel (800)Grab Bar.



Operation

Dispenses single or half-fold toilet seat covers. Concealed opening on bottom of cabinet permits refilling.



Installation

1. Recommended mounting height from finish floor to top of dispenser is 60" (1524mm). Consult local codes for compliance.
2. Unit is surface mounted on toilet partition or rear wall of toilet compartment using screws provided by manufacturer as locations marked by an "S".
3. For plaster or dry wall, provide in-wall backing complying with local building codes.
4. For other surfaces, provide fiber plugs or expansion shields for use with screws provided by manufacturer, or provide toggle bolts or expansion bolts.
5. Provide 2" (51mm) minimum clearance from bottom of unit to allow room to refill dispenser.

Manufacturer reserves the right to alter design or dimensions without formal notice and without incurring obligation.

© 2004, Tubular Specialties Mfg., Inc. All Rights Reserved



Guarantee

TSM 5310-SCR Surface Mounted Toilet Seat Cover Dispenser is guaranteed against defects in workmanship and material for one year from shipping date.