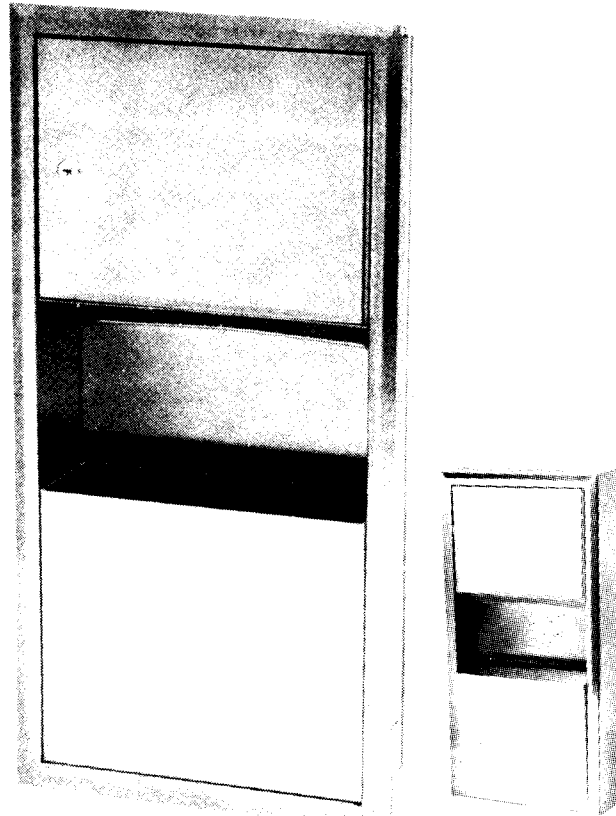


TSM

TUBULAR SPECIALTIES MFG., INC.

13011 S. SPRING ST., LOS ANGELES, CA 90061-1685 • 213/515-4801 TOLL FREE 800/421-2961 CA ONLY 800/521-7548
DESIGNER SERVICE: 7:00 A.M. TO 5:00 P.M. PACIFIC TIME • TELEX II: 910-346-6362 • FAX: 213/217-0653

5220



RECESSED PAPER TOWEL DISPENSER AND WASTE RECEPTACLE



DESIGN CONSIDERATIONS

- The door on the 5220 can be replaced in the field. This is extremely important because one of the most common problems encountered with public washroom equipment is vandalism. With many other towel/waste units, if the door is damaged, the entire console must be replaced.
- The centered lock on the cabinet door also deters vandalism. Doors are easier to wedge open if locks are located under the door.
- The waste receptacle is finished on the front and back so it can be inserted either way into the unit.

MODEL NUMBERS (select one)

- 5220**—Recessed
- 5220-S2**—Semi-Recessed with 2" (51 mm) Skirt
- 5220-S4**—Surface Mounted with 4" (102mm) Skirt



FINISH (select one)

- #4 Satin (standard)
- Other (additional charge; see Finish Schedule, Reference Section A, for options)



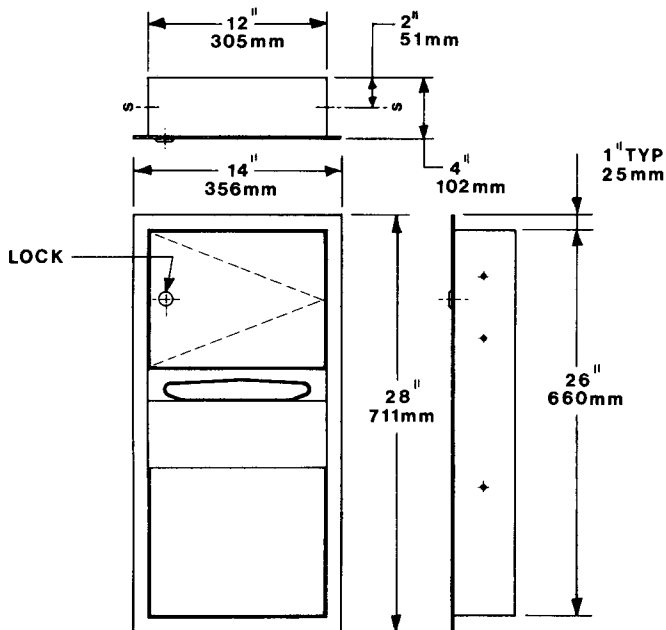
OPERATION

Dispenser accommodates either C-fold or multi-fold towels without use of adapters.



SUGGESTED ARCHITECTURAL SPECIFICATION

TSM model _____ (fill in model number) Recessed Paper Towel Dispenser and Waste Receptacle from Tubular Specialties Manufacturing, Inc., Los Angeles, California (213) 515-4801. Construction: stainless steel Type 304 (18-8), welded. Finish: _____ (select from Finish Schedule). Mounting Frame: _____ (recessed, semi-recessed, or surface mounted). Flange: drawn, one-piece, seamless construction with no mitered corners. Door: secured to cabinet with full-length



GUARANTEED PRODUCT

SEE PAGE 3 FOR COMPLETE DETAILS

stainless steel piano hinge and tumbler lock centered on face; replaceable in the field. Capacity: 350 C-fold or 475 multi-fold paper towels without use of adapters. Manufacturer's name is not shown on any exposed surface.



MATERIALS/WORKMANSHIP

Cabinet—Stainless steel Type 304 (18-8) 22 gauge (0.8mm). Flange is drawn, one-piece seamless construction with no mitered corners. Screw holes are countersunk to prevent interference with towel dispensing.

Door—Stainless steel Type 304 (18-8) 22 gauge (0.8mm) with double panel construction. Full-length stainless steel piano hinge is screwed to cabinet. Pin tumbler cylinder lock is centered on door.

Paper Towel Dispenser—Stainless steel Type 304 (18-8) 22 gauge (0.8mm). Dispensing mouth has hemmed edge for safety. Capacity: 350 C-fold or 475 multi-fold paper towels.

Receptacle—Stainless steel Type 304 (18-8) 22 gauge (0.8mm). Can is polished on both sides in satin finish. Top and bottom edges are hemmed for safety. Capacity: 2 gallons (7.6 liters).

Skirt (Semi-Recessed and Surface Mounted models only)—Stainless steel Type 304 (18-8) 22 gauge (0.8mm), formed and welded construction.



INSTALLATION

For handicapped mounting, top of cabinet should be no more than 50" (1270mm) from finish floor.

Recessed or semi-recessed installation: Provide framed wall opening 12-1/2" (318mm) wide x 26-1/2" (673mm) high with a minimum recessed depth of 4-1/4" (108mm) for recessed and 2-1/4" (57mm) for semi-recessed mounting. Multiple screw holes at sides of cabinet allow secure mounting in wood or metal framing. Position unit to avoid pipes, vents and conduits previously installed in wall. After installing shims as required to give a solid base, complete installation using screws provided by manufacturer at locations marked by an "S."

Surface mounting: With skirt in place, apply to wall with screws provided by manufacturer (see Installation, Reference Section C, for various applications).



DISTRIBUTION

TSM maintains a worldwide network of distributors. Call your sales representative listed in Reference Section O for the names of those nearest you.