



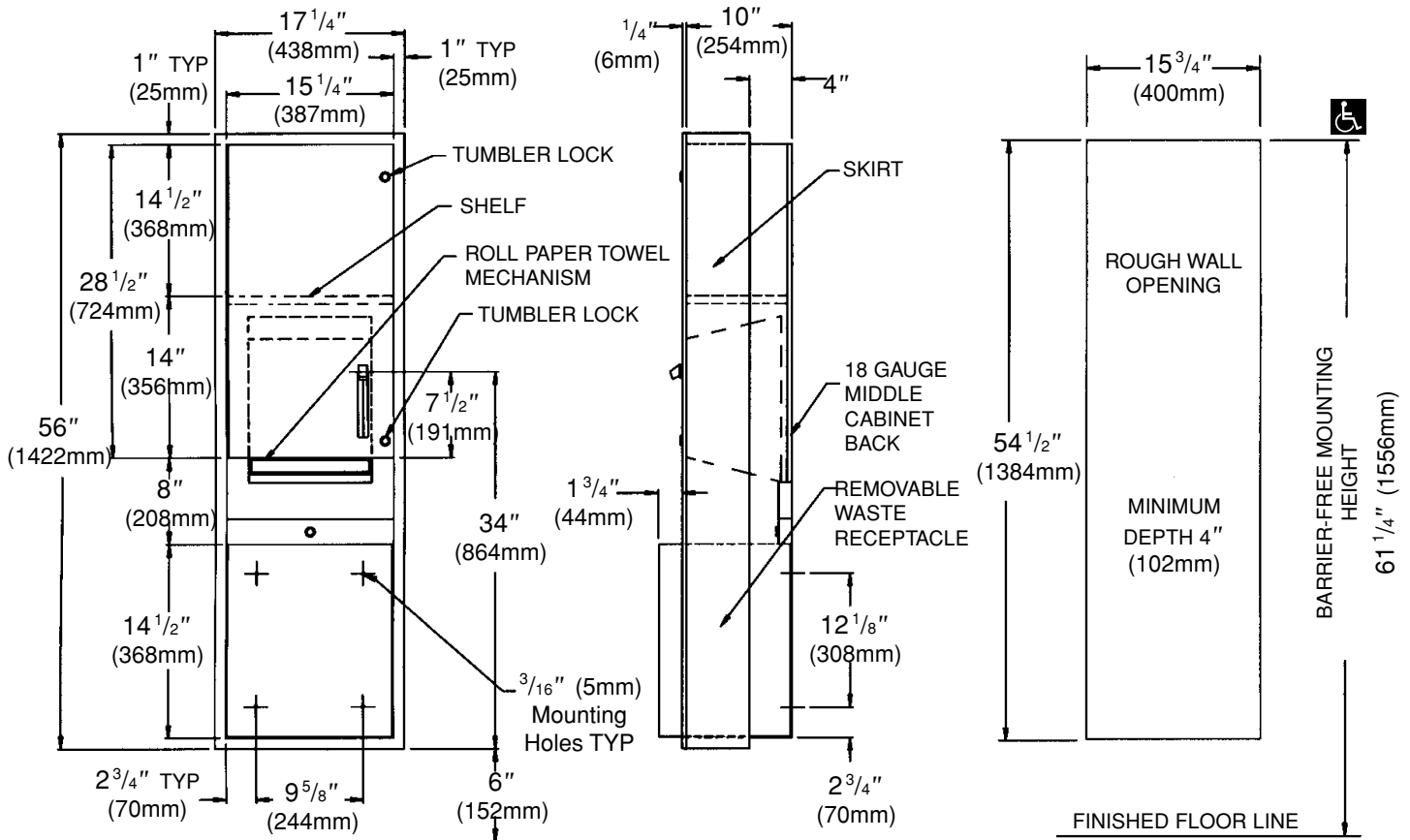
Tubular Specialties Manufacturing, Inc.

13011 South Spring Street, Los Angeles, CA 90061-1685
 Phone 800/Grab Bar (800/472-2227) or 310/515-4801
 www.GrabBar.com • Fax 310/217-0653

5210-H-15-S6

Semi-Recessed Roll Paper Towel Dispenser and Disposal

Technical Data
 Revised October 2008



Specification

Semi-Recessed Roll Paper Towel Dispenser and Waste Receptacle shall hold and dispense one 8" or 9" wide standard towel roll up to 800 ft. (244m) long and one stub roll up to 4" (102mm) diameter. Waste capacity shall be 13.3 gallons (50.4 liters). Unit frame, waste container and cabinet shall be fabricated of type 304 satin finish stainless steel alloy 18-8, 22 gauge (.7mm); towel dispenser door shall be same grade 18 gauge (1.2mm); unit back plate for mechanism shall be fabricated of 18 gauge; all exposed surfaces shall have #4 satin finish protected by plastic PVC film easily removed after installation. Towel dispensing slot shall be smooth and burr-free for snag-free dispensing and user safety. Door shall be attached to cabinet at side with full-length 3/16" (5mm) dia. stainless steel multi-staked piano hinge and be held closed with a tumbler

lock keyed alike to other TSM washroom accessories. Waste container shall have hemmed edges for safety and shall be retained by a tumbler lock keyed alike to other TSM washroom accessories. Face trim shall be 1" (25mm) wide formed from one piece with no mitres, welding or open seams and have 1/4" (6mm) square return to surrounding semi-recessed collar. Structural assembly of all components shall be of welded construction. Cabinet shall have no exposed fastening devices or spot welded seams. Unit shall be supplied with SR collar to convert to semi-recessed mounting

Semi-Recessed Roll Paper Dispenser and Waste Receptacle shall be Model 5210-H-15-S6 as manufactured by Tubular Specialties Manufacturing, 13011 South Spring Street, Los Angeles, California 90061, tel 800-Grab Bar.



TSM 5210-H-15-S6 Paper Towel Dispenser/Waste is guaranteed against defects in workmanship and material for one year from shipping date.



Operation

Towels are fed by depressing lever until supply is depleted. Building operator adjusts towel feed length with pin supplied by manufacturer. Unit may be reloaded with a full roll to

automatically start when finished with an existing partial roll. Waste receptacle is emptied on a cycle determined by maintenance needs.



Installation

1. Unit is semi-recessed in wall through concealed mounting holes provided.
2. For compliance with ADA Accessibility Guidelines, unit should be installed so that the towel dispenser lever is 54" (1372mm) maximum above finished floor (AFF) if clear floor side reach access is provided or 48" (1219mm) maximum AFF is clear floor forward reach access only is provided.
Note: The top of the rough wall opening is ¾" (19mm) below the top of the unit. SR collar is installed on cabinet prior to mounting on wall following procedure described on SR Collar Data Sheet.
3. Provide framed wall opening 15¾" wide x 54½" high (400x1384mm) with a minimum recessed depth from finish face of wall of 4" (102mm).
4. Position unit to avoid pipes, vents and conduits previously installed in wall.
5. After installing shims as required to give a solid base, mount through concealed mounting holes provided.
6. It is the installer's responsibility to select fasteners that are appropriate for the wall or partition condition and application.
7. Accessories should be inspected periodically to make sure their attachment to the wall is not loosening.

