

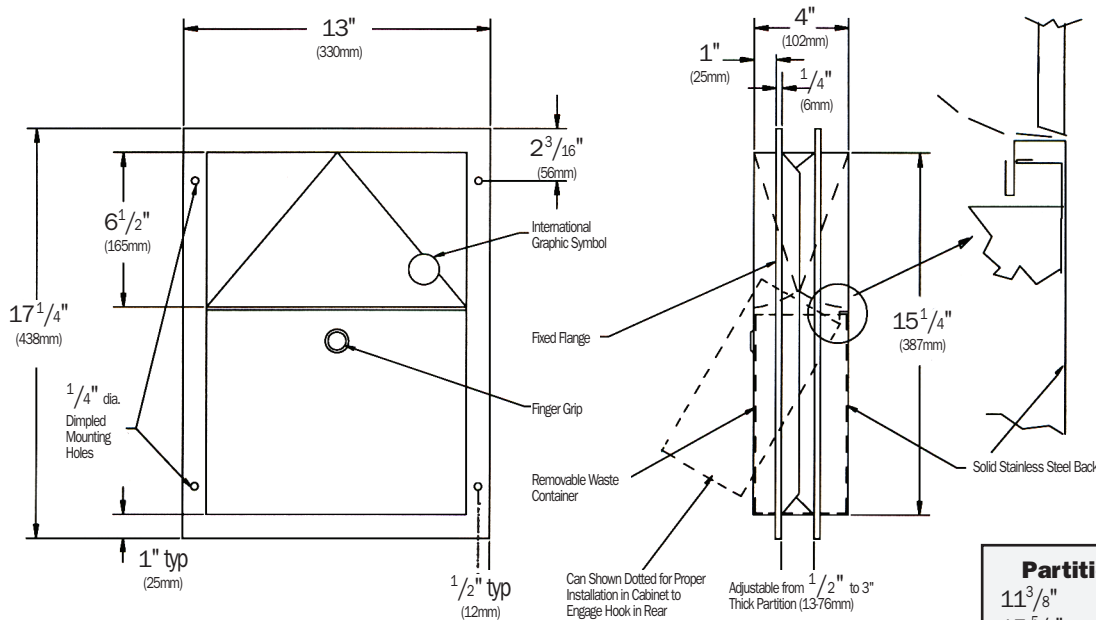


Tubular Specialties Manufacturing, Inc.
 13011 South Spring Street, Los Angeles, CA 90061-1685
 Phone 800/Grab Bar (800/472-2227) or 310/515-4801
 www.GrabBar.com • Fax 310/217-0653

5152

Partition Mounted Napkin Disposal, Dual Access

Technical Data
 Revised June 2007



Partition Cutout	
11 ³ / ₈ "	Wide (289mm)
15 ⁵ / ₈ "	High (397mm)
1/2" to 3"	Thick Partition



Specification

Partition Mounted Dual Access Sanitary Napkin Disposal shall hold 1.5 gal (5.7 liters) of dry/solids waste and shall have doors and cabinet fabricated of alloy 18-8 stainless steel, type 304, 22 gauge. All exposed surfaces shall be No 4 satin finish and be protected during shipment with a PVC film easily removable after installation. Doors shall operate independently and shall be attached to cabinet with a full length ³/₁₆" dia. (5mm) stainless steel multi-staked piano hinge and shall be spring loaded to hold in closed position. International graphic symbol for waste disposal shall be affixed to doors. Structural assembly of body

and door components shall be of welded construction. Face trim mounting flanges shall be of one-piece construction 1" (25mm) wide with no welded miters and shall have square ¹/₄" (6mm) returns with an adjustability range for partition thickness of ¹/₂" (13mm) to 3" (76mm). Waste container shall be captured internally by full width Z-retainer and shall have fully-hemmed finger grip for service removal from one side only.

Partition Mounted Napkin Disposal, Dual Access shall be Model 5152 as manufactured by Tubular Specialties Manufacturing, 13011 South Spring Street, Los Angeles, California 90061, tel 800-Grab Bar.



Operation

Users push doors to deposit waste material. Doors are self-closing, operate independently and may be used simultaneously. Maintenance schedule determines waste removal cycle.

Unit is emptied by removing bottom waste container and inverting over collection bag. Waste container is captured by internal angle to prevent inadvertent dumping and safety-edged finger grip provides convenient grip for service.



Installation

- For maximum usability and compliance with ADA Accessibility Guidelines, unit should be installed so that top of disposal door is between 33" (864mm) maximum above finished floor (AFF) and 24" (610mm) minimum AFF and 27" to centerline of cutout from rear wall. Consult local codes to assure compliance.
- Note that cut-out is ³/₁₆" (5mm) above cabinet door top and ¹³/₁₆" (21mm) below top mounting flange top edge. One

trim mounting flange adjusts for partition thickness of ¹/₂" (13mm) to 3" (76mm).

- It is the installer's responsibility to select fasteners that are appropriate for the wall or partition condition and application.
- Accessories should be inspected periodically to make sure their attachment to the wall is not loosening.



TSM 5152 Partition Mtd Napkin Disposal, Dual Access is guaranteed against defects in workmanship and material for one year from shipping date.