



Tubular Specialties Manufacturing, Inc.

13011 South Spring Street, Los Angeles, CA 90061-1685

Phone 800/Grab Bar (800/472-2227) or 310/515-4801

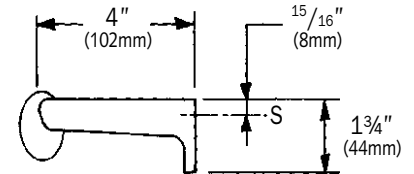
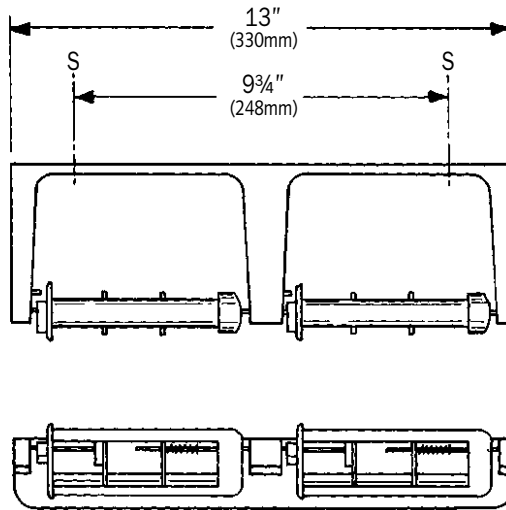
www.GrabBar.com • Fax 310/217-0653

371-NCL

Surface Mounted Aluminum Toilet Paper Holder Double Roll with Tumbler Lock

Technical Data

Revised Jan. 2008



Specification

Surface Mounted Double Roll Toilet Paper Holder with theft-resistant, key locked, free delivery spindles shall hold and dispense all standard core roll tissue, up to 6" dia. (152mm) and be fabricated of cast aluminum with a satin matte silver-gray finish. Spindles shall be fabricated of impact-resistant, ABS thermoplastic and be theft-resistant with a concealed release mechanism and lock screw that shall be removable only with a

hex key. Spindles rotate freely and have no limit stop. Roll core shall not be removable from spindle until tissue is exhausted.

Surface Mounted Double Roll Toilet Paper Holder shall be Model 371-NCL as manufactured by Tubular Specialties Manufacturing, 13011 South Spring Street, Los Angeles, California 90061, tel 800-Grab Bar.



Operation

Spindles rotate freely. Roll core prevents access to release pin and cannot be removed from spindles until tissue is exhausted

and screw is loosened with key. Unit is replenished by releasing a concealed pin which in turn releases a spring lock mechanism on spindle.



Installation

1. To comply with ADA Accessibility Guideline, install unit so that tissue roll centerline is between 44" (1118mm) maximum above finished floor (AFF) and 19" (483mm) minimum AFF. Recommended mounting height is 32" (815mm) from centerline of holder AFF.
2. It is the installer's responsibility to select fasteners that are appropriate for the wall or partition condition and application.

3. Unit is surface mounted on wall or partition at locations marked with an "S".
4. Accessories should be inspected periodically to make sure their attachment to the wall is not loosening.



TSM 371-NCL Surface Mounted Double TP Holder is guaranteed against defects in workmanship and material for one year from shipping date.