



Tubular Specialties Manufacturing, Inc.

13011 South Spring Street, Los Angeles, CA 90061-1685

Phone 800/Grab Bar (800/472-2227) or 310/515-4801

www.GrabBar.com • Fax 310/217-0653

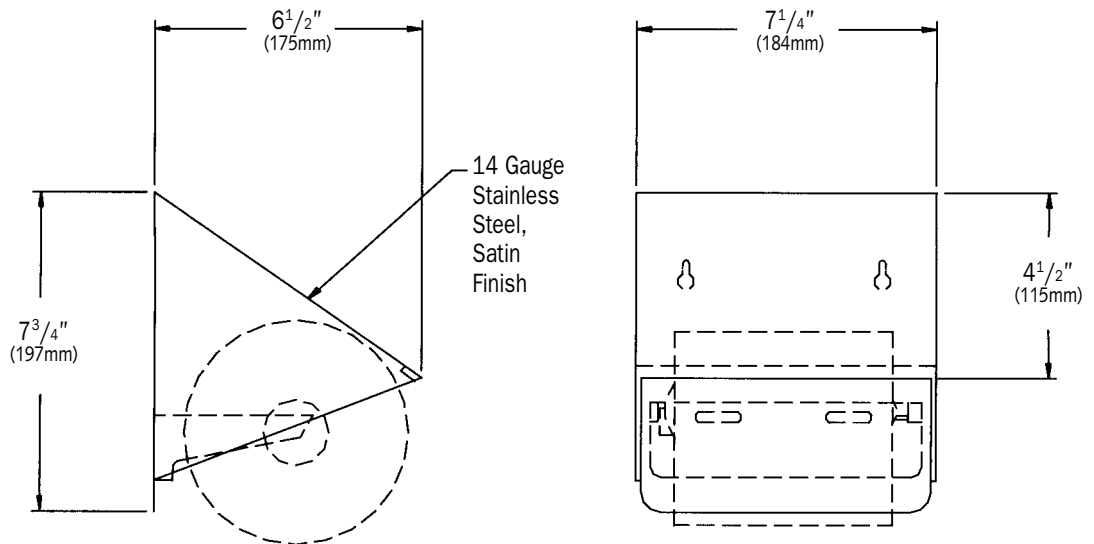
370-Hood

Surface Mounted Vandal-Resistant Hood

For Single Roll Toilet Tissue Holder

Technical Data

Revised Oct. 2008



Specification

Note: The 370-Hood should not be specified in lieu of grab bars or any other support accessory.

Surface Mounted Vandal-Resistant Hood for Single Roll Toilet Tissue Holder shall be fabricated of 18-8 alloy 14 gauge stainless steel, type 304. Structural assembly of body shall be of welded construction and have no exposed fasteners or welded seams. All exposed surfaces shall be #4 satin finish and be protected during shipment with PVC film easily removable after installation.

Surface Mounted Vandal-Resistant Hood for Single Roll Toilet Tissue Holder shall be Model 370-Hood as manufactured by Tubular Specialties Manufacturing, 13011 South Spring Street, Los Angeles, California 90061, tel 800-Grab Bar.



Operation

Unit is to be used in conjunction with TSM toilet paper holder models 370, 370-NC and 370-NCL (not supplied).

Unit prevents application of downward force on toilet paper holder.



Installation

1. Unit is surface mounted on wall or partition.
2. It is the installer's responsibility to select fasteners that are appropriate for the wall or partition condition and application. It is important to evaluate wall or partition conditions because an accessory is only as strong as its anchoring devices and the mounting surface to which it is attached; for walls, adequate reinforcement or stud structure is required.
3. Two (2) mounting holes through back are keyhole slots for ease in hanging unit on pre-installed fasteners and two (2) lower mounting holes match up with mounting hole locations in TSM toilet paper holders 370, 370-NC and 370-NCL (purchased separately). The TPH mounts over hole through back plate.
4. All accessories should be inspected periodically to make sure their attachment to the wall is not loosening.



Guarantee

TSM 370-Hood Vandal-Resistant Hood is guaranteed against defects in workmanship and material for one year from shipping date.