

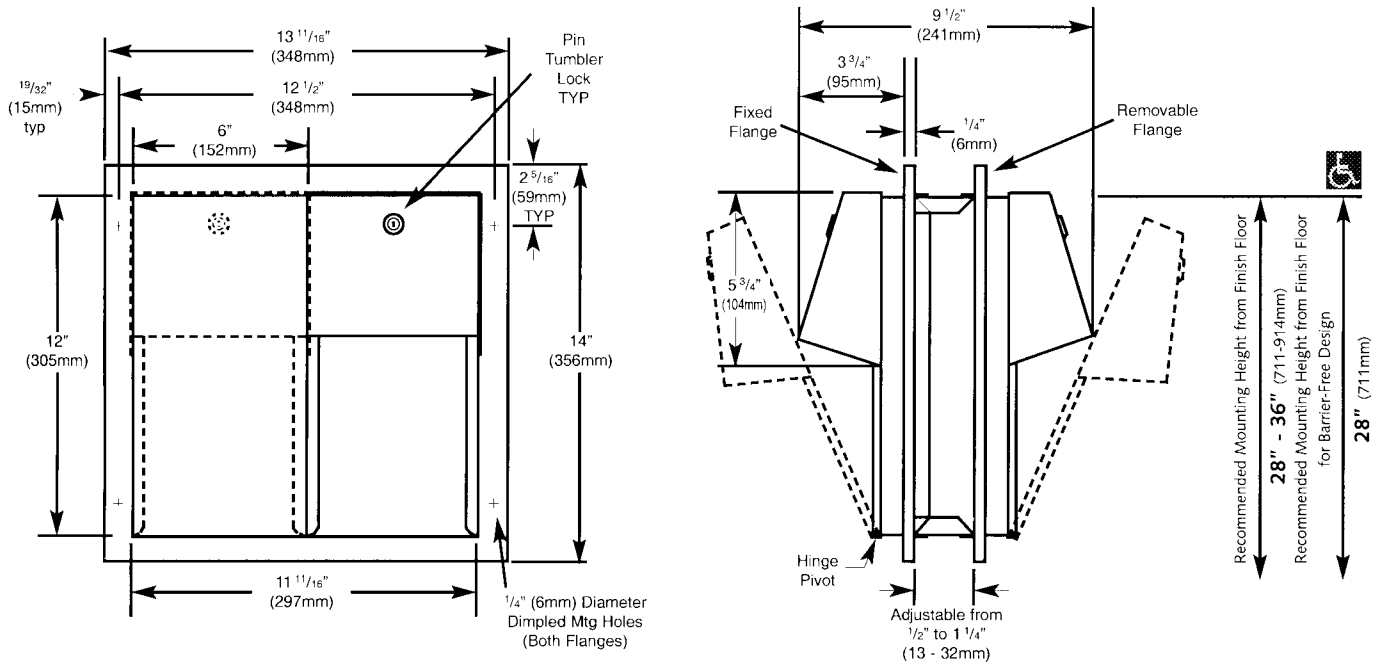


**Tubular Specialties Manufacturing, Inc.**  
 13011 South Spring Street, Los Angeles, CA 90061-1685  
 Phone 800/CALL TSM (800/225-5876) or 310/515-4801  
 www.GrabBar.com • Fax 310/217-0653

**351**

# Dual Access 4-Roll Partition Mtd TP Dispenser

**Technical Data**  
 Revised Jan. 2007



Partition Cutout	
11 7/8"	wide (300mm)
12 1/4"	high (310mm)
1/2" to 1 1/4"	partition thickness (13-32mm)



## Specification

Dual Access Partition Mounted Dual Roll Toilet Paper Dispenser shall have cabinet body type 304 (18-8) satin finish 22 gauge stainless steel. Doors, door frames and dispensing mechanism guide tracks shall be fabricated of 18 gauge stainless steel. Structural assembly of body and door components shall be welded construction. Unit shall be equipped with four vandal-resistant, high-impact ABS spindles with stainless steel pins molded in. Unit shall dispense four standard-core toilet tissue

rolls up to 5 1/4" diameter (1800 sheets). Extra rolls shall drop into place when rolls are depleted and are accessed by unlocking cabinet. Door shall be mounted on heavy-duty hinge and equipped with a tumbler lock keyed like other TSM accessories. Unit shall accommodate partitions from 1/2" to 1-1/4" thick.

**Dual Access Partition Mounted Dual Roll Toilet Paper Dispenser shall be Model 351 as manufactured by Tubular Specialties Manufacturing, 13011 South Spring Street, Los Angeles, California 90061, tel 800-Grab Bar.**



## Operation

Unit holds four standard-core toilet tissue rolls up to 5 1/4" (133mm) diameter (1800 sheets). When roll is depleted, it

slides to rear of cabinet and extra roll drops into place. Empty rolls can only be accessed by unlocking cabinet.



## Installation

1. Partition mount using four #10 self-tapping screws supplied by manufacturer through fixed mounting frame and adjustable mounting frame.
2. Partition cutout required is 11-7/8"W x 12-1/4"H.
3. Mounting flanges adjust to accommodate partition thickness of 1/2" minimum to 1-1/4" maximum.
4. To comply with ADA Accessibility Guidelines, top of unit should be installed 29" above finished floor.

Manufacturer reserves the right to alter design or dimensions without formal notice and without incurring obligation.

© 2007, Tubular Specialties Mfg., Inc. All Rights Reserved



TSM 351 Partition Mounted 4-Roll Dual Access Toilet Paper Dispenser is guaranteed against defects in workmanship and material for one year from shipping date.