



Tubular Specialties Manufacturing, Inc.

13011 South Spring Street, Los Angeles, CA 90061-1685

Phone 800/Grab Bar (800/472-2227) or 310/515-4801

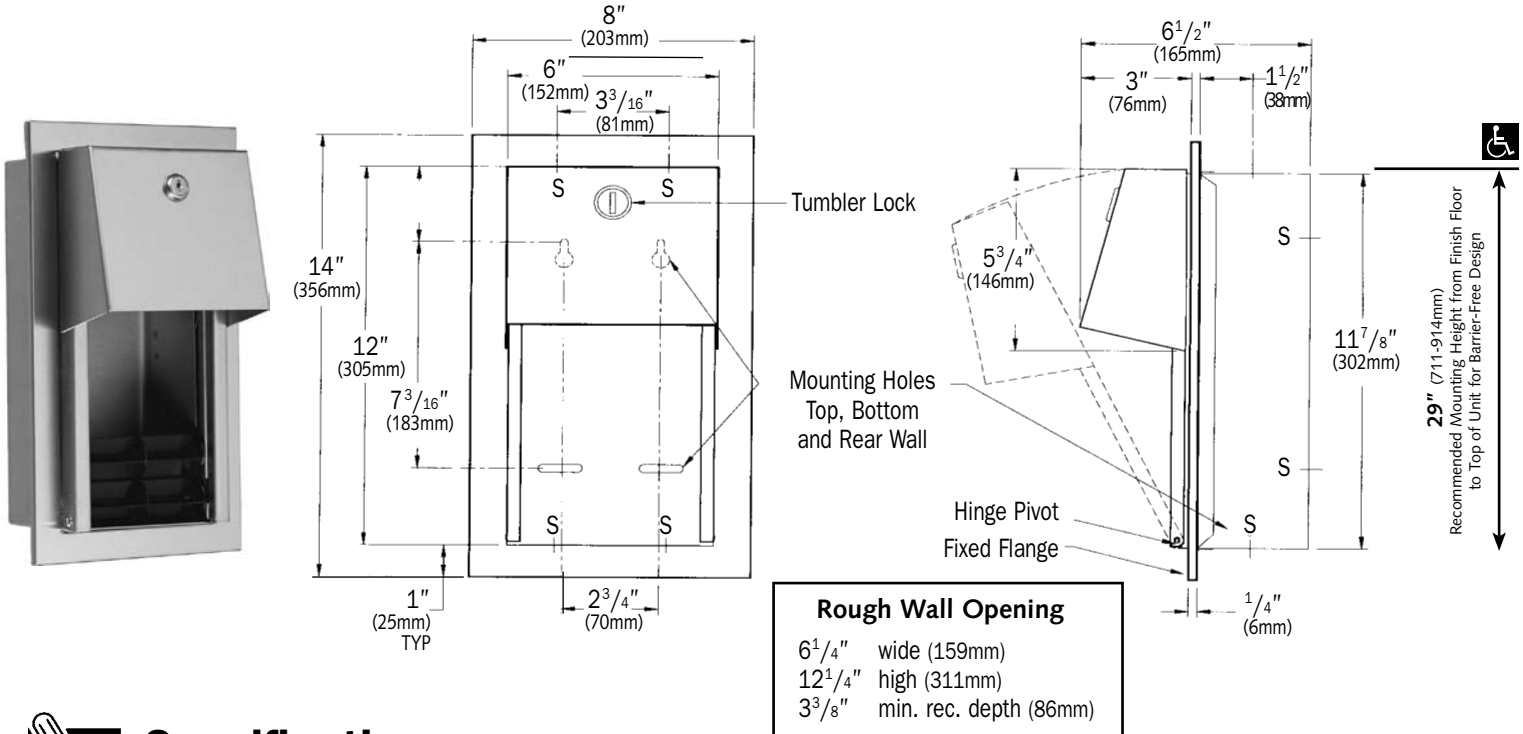
www.GrabBar.com • Fax 310/217-0653

320

Semi-Recessed Mtd. 2-Roll Toilet Paper Dispenser

Technical Data

Revised Oct. 2008



Specification

Note: The 320 TP Dispenser should not be specified in lieu of grab bars or any other support accessory.

Semi-Recessed Mounted 2-Roll Toilet Paper Dispenser shall hold and dispense two (2) standard or two (2) 5 1/4" dia. (133mm) 1800 sheet tissue rolls. Door, door frame and dispensing mechanism guide tracks shall be fabricated of type 304 (18-8) 18 gauge stainless steel. Cabinet body shall be same grade, 22 gauge. All exposed surfaces shall be No. 4 satin finish and be protected during shipment with PVC film easily removable after installation. Internal mechanism levers shall be fabricated of molded high-impact resistant plastic for smooth operation.

Structural assembly of body and door components shall be of welded construction. Door hinge shall be of heavy-duty stainless steel 3/16" dia. rivets. Door shall be held closed with a tumbler lock keyed alike to other TSM Washroom Equipment. Unit shall be equipped with two (2) vandal-resistant rollers of molded high-impact resistant plastic with integral molded-in plated steel end pins.

Semi-Recess Mounted 2-Roll Toilet Paper Dispenser shall be Model 320 as manufactured by Tubular Specialties Manufacturing, 13011 South Spring Street, Los Angeles, California 90061, tel 800-Grab Bar.



Operation

Unit holds two standard-core toilet tissue rolls up to 5 1/4" (133mm) diameter (1800 sheets). When roll is depleted it

slides to rear of cabinet and extra roll automatically drops into place. Empty rollers can only be accessed by unlocking cabinet. Reloading instructions are printed on graphic label inside door.



Installation

- For compliance with ADA Accessibility Guidelines, top of unit should be installed 29" (727mm) above finished floor (AFF).
- Unit is semi-recessed.
- It is the installer's responsibility to select fasteners that are appropriate for the wall or partition condition and application. It is important to evaluate wall or partition conditions because an accessory is only as strong as its anchoring devices and the mounting surface to which it is attached; for walls, adequate reinforcement or stud structure is required.
- Top two mounting holes through back are keyhole slots for ease in hanging unit on pre-installed fasteners (provided by others). Bottom two mounting holes are horizontal slots for ease of adjustment. Alternate mounting holes are provided in top and bottom of unit for installation convenience.
- All accessories should be inspected periodically to make sure their attachment to the wall is not loosening.



Guarantee

TSM 320 Semi-Recess Mounted 2-Roll Toilet Paper Dispenser is guaranteed against defects in workmanship and material for one year from shipping date.