

Towel Dispensers & Waste Receptacles

22 Gauge type 304 stainless steel satin finish unless otherwise noted. Doors have full length stainless steel piano hinges and tumbler locks.

5200-12 **TECH DATA**

Semi-Recessed Paper Towel Dispenser & Waste Receptacle, 4" Deep

Capacity: 600 C-fold or 800 multi-fold paper towels with removable receptacle that locks into cabinet. 12 gallon capacity.

Wall Opening: 15 3/4" x 54 1/2" x 4 1/4" (400 x 1384 x 108 mm)

Suggested Mounting Height:

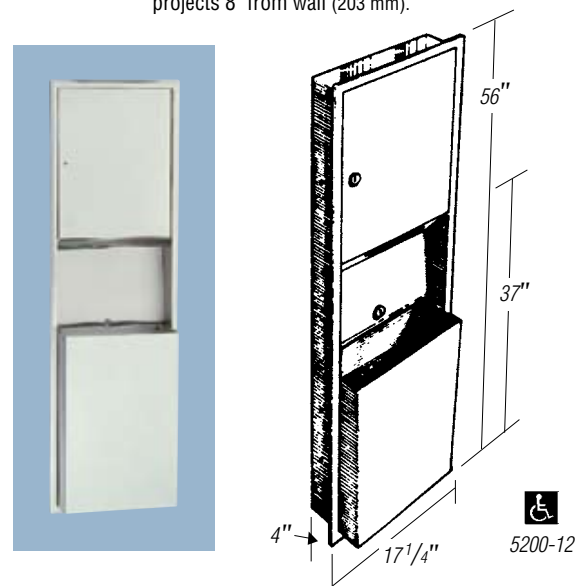
16" from bottom of unit to floor; barrier-free, 4" (406 & 102mm).

Not Shown:

5200-12-S2 - Model 5200-12 with stainless steel collar for semi-recess in 2" wall (50 mm). 12 gallon.

5200-12-S4 - Model 5200-12 with stainless steel collar for surface mounting. 12 gallon.

5200-18 - Model 5200-12 with 18 gallon receptacle; projects 8" from wall (203 mm).



5200-D-12 **TECH DATA**

Recessed Paper Towel Dispenser & Waste Receptacle, 7" Deep

Capacity: 600 C-fold, 800 multi-fold or 1,100 single-fold paper towels with removable receptacle that locks into cabinet. 12 gallon capacity.

Wall Opening: 15 3/4" x 54 1/2" x 7 1/4" (400 x 1384 x 184 mm)

Suggested Mounting Height:

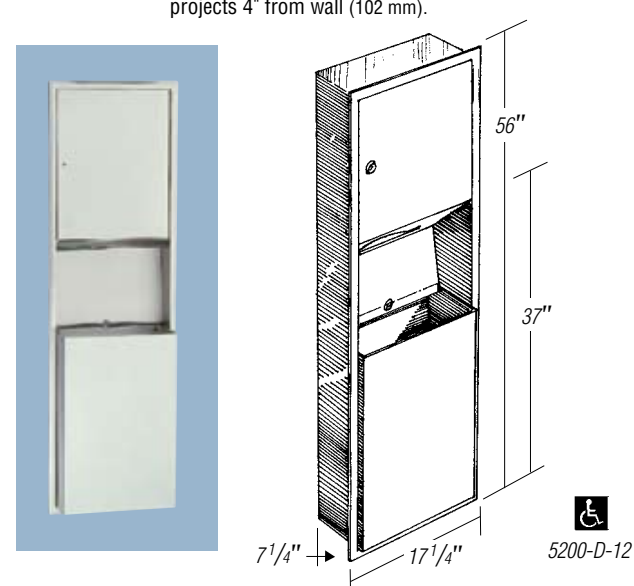
16" from bottom of unit to floor; barrier-free, 4" (406 & 102mm).

Not Shown:

5200-D-12-S4 - Model 5200-D-12 with stainless steel collar for semi-recess in 4" wall (102 mm). 12 gallon.

5200-D-12-S7 - Model 5200-D-12 with stainless steel collar for surface mounting. 12 gallon.

5200-D-18 - Model 5200-D-12 with 18 gallon receptacle; projects 4" from wall (102 mm).



Towel Dispensers & Waste Receptacles

22 Gauge type 304 stainless steel satin finish unless otherwise noted. Doors have full-length stainless steel piano hinges and tumbler locks.

5210-H-15 **TECH DATA**

Recessed Roll Paper Towel Dispenser and Waste Receptacle

Dispenses rolls 8" or 9" wide (205-230 mm) 800 feet long in preset lengths: 2 1/2", 4" or 5" per stroke (65, 100 or 125 mm).

Removable waste receptacle is 15 gallons (57 L).

Wall Opening:

15 3/4" x 54 1/2" x 10 1/4" (400 x 1384 x 260 mm)

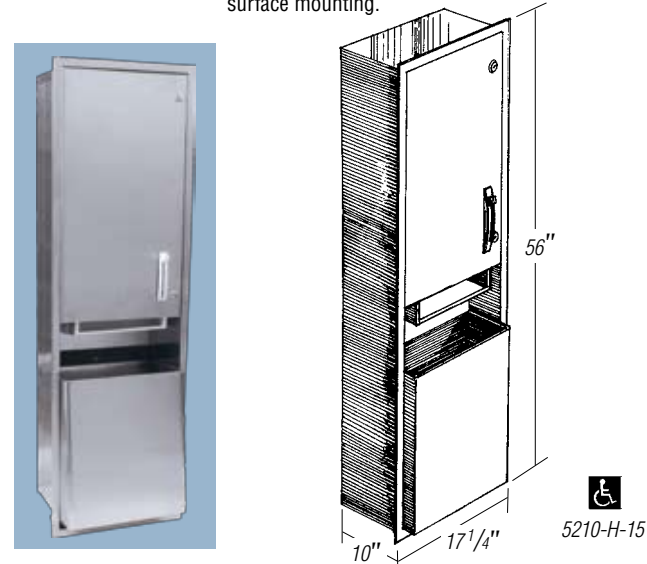
Suggested Mounting Height:

20" from bottom of unit to floor; barrier-free, 6" (510 & 150 mm).

Not Shown:

5210-H-15-S6 - Model 5210-H-15 with stainless steel collar for semi-recessing in 4" (102 mm) walls.

5210-H-15-S10 - Model 5210-H-15 with stainless steel collar for surface mounting.



5210-P-14 **TECH DATA**

Semi-Recessed Roll Paper Towel Dispenser and Waste Receptacle

Dispenses rolls 8" or 9" wide (205-230 mm) 800 feet long in preset lengths: 2 1/2", 4" or 5" per stroke (65, 100 or 125 mm). Removable waste receptacle is 14 gallons (53 L).

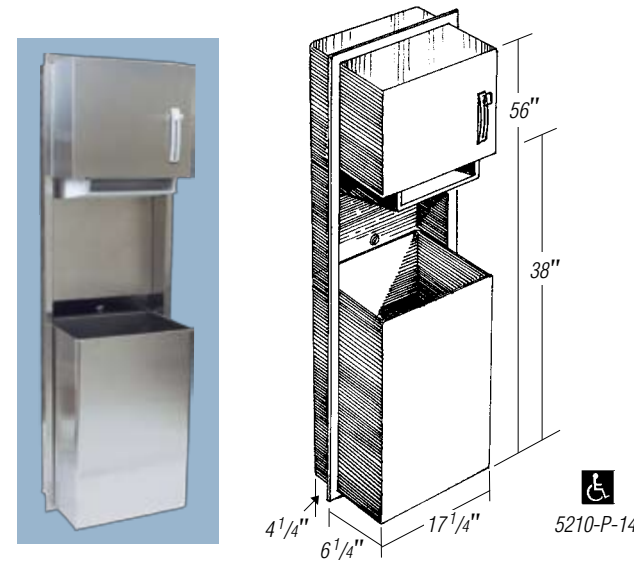
Wall Opening: 15 3/4" x 54 1/2" x 4 1/4" (400 x 1384 x 110 mm)

Suggested Mounting Height:

16" from bottom of unit to floor; barrier-free, barrier-free wheelchair accessible side reach, 4" (405 & 102 mm)

Not Shown:

5210-P-14-S4 - Model 5210-P-14 with stainless steel collar for surface mounting.



5220 **TECH DATA**

Recessed Paper Towel Dispenser and Waste Receptacle

Capacity: 350 C-fold or 475 multi-fold paper towels with removable 2 gallon waste receptacle (7.6 L).

Wall Opening:

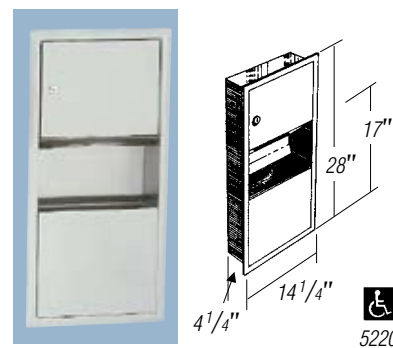
12 3/4" x 26 1/2" x 4 1/4" (324 x 673 x 108 mm)

Suggested Mounting Height:

36" from bottom of unit to floor; barrier-free, 24" (915 & 610 mm).

Not Shown:

5220-S4 - Model 5220 with stainless steel collar for surface mounting.



5201 **TECH DATA**

Recessed Paper Towel Dispenser

Capacity: 600 C-fold or 800 multi-fold paper towels.

Wall Opening:

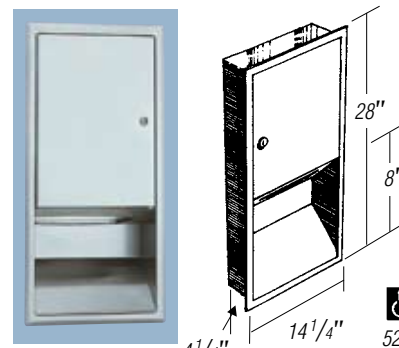
12 3/4" x 26 1/2" x 4 1/4" (324 x 673 x 108 mm)

Suggested Mounting Height:

48" from bottom of unit to floor; barrier-free, 32" (1220 & 810 mm).

Not Shown:

5201-S4 - Model 5201 with stainless steel collar for surface mounting.



5201-C **TECH DATA**

Recessed Paper Towel Dispenser

Capacity: 350 C-fold or 500 multi-fold paper towels. Petite model for low-traffic washrooms.

Wall Opening:

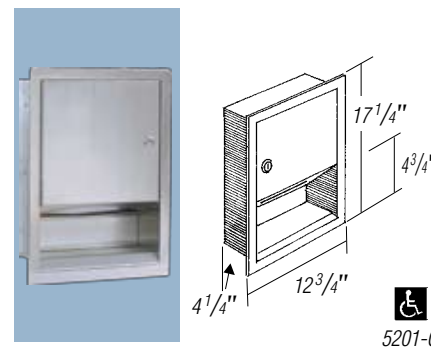
11 1/4" x 15 3/4" x 4 1/4" (290 x 400 x 108 mm)

Suggested Mounting Height:

48" from bottom of unit to floor; barrier-free, 35" (1220 & 890mm).

Not Shown:

5201-C-S4 - Model 5201-C with stainless steel collar for surface mounting.



5202-12 **TECH DATA**

Recessed Waste Receptacle

Removable 12 gallon (46 L) receptacle locks into cabinet. 4" Projection/4" Recess.

Wall Opening:

15 3/4" x 29" x 4 1/4" (400 x 740 x 108mm)

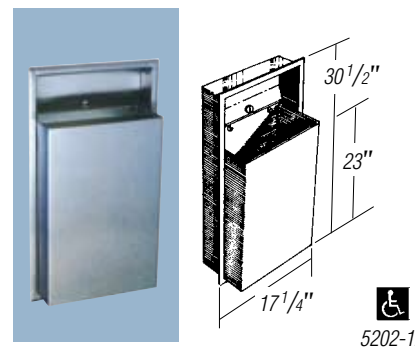
Suggested Mounting Height:

12" from bottom of unit to floor (305mm).

Not Shown:

5202-D-12 - Model 5202-12 with 1/2" Projection and 7 1/2" Recess

5202-12-S4 - Model 5202-12 with stainless steel collar for surface mounting.



5203 **TECH DATA**

Recessed Waste Receptacle

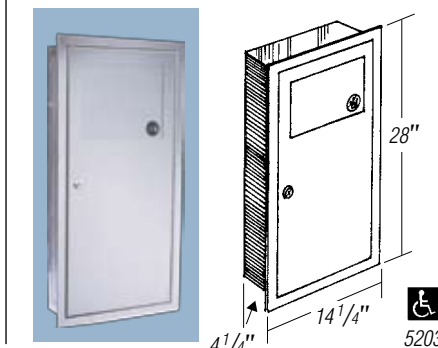
Self-closing panel covers receptacle opening. Removable stainless steel waste container. Capacity: 3 gallon (11.4 L).

Wall Opening:

12 3/4" x 26 1/2" x 4 1/4" (324 x 673 x 108 mm)

Suggested Mounting Height:

20" from bottom of unit to floor; barrier-free, 18" (510 & 460 mm).



5210-E **TECH DATA**

Recessed Roll Paper Towel Dispenser

Dispenses rolls 8" or 9" wide (205-230 mm) 800 feet long in preset lengths: 2 1/2", 4" or 5" per stroke (65, 100 or 125 mm).

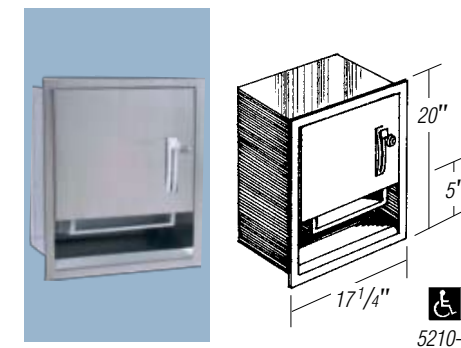
Wall Opening:

15 3/4" x 18 1/2" x 9 5/8" (400 x 470 x 245mm)

Not Shown:

5210-E-S6 - Model 5210-E with stainless steel collar for semi-recessing in 4" walls (102 mm).

5210-E-S9 - Model 5210-E with stainless steel collar for surface mounting.



Towel Dispensers & Waste Receptacles

22 Gauge type 304 stainless steel satin finish unless otherwise noted.

5230 **TECH DATA** Surface-Mounted Paper Towel Dispenser

Capacity: 400 C-fold or 525 multi-fold towels.

Overall Size:
11" x 14 1/2" x 4"
(279 x 362 x 102 mm)



5230-SWH **TECH DATA** Surface-Mounted Paper Towel Dispenser, White Enamel Steel

Capacity: 400 C-fold or 525 multi-fold towels.

Overall Size:
11" x 15 1/2" x 4"
(279 x 394 x 102 mm)



5231 **TECH DATA** Surface-Mounted Roll Paper Towel Dispenser

Capacity: 8" or 9" wide roll, 800' long.

Overall Size:
12 1/4" x 15" x 9 1/2"
(311 x 381 x 241 mm)



5232 **TECH DATA** Paper Towel Dispenser

Dispenses 400 single-fold paper towels.

Overall Size:
11 1/4" x 6 1/4" x 5 5/8"
(285 x 160 x 145 mm)



5233 **TECH DATA** Paper Towel Dispenser

Similar to 5230, but with reduced capacity for low traffic areas. Dispenses 200 C-fold or 275 multi-fold paper towels.

Overall Size:
11" x 8" x 4"
(280 x 205 x 102 mm)



Surface-Mtd Waste Receptacle **TECH DATA**

5240-2 - 2 gallon
5240-7 - 7 gallon
5240-12 - 12 gallon
5240-21 - 21 gallon
(7.6, 27, 45 & 79 liter)

Welded construction.



5240-C-13 **TECH DATA** Corner Waste Receptacle

Welded construction. Top and bottom edges hemmed for safety. 13 gallon (49 L) capacity.

Overall Size:
15" x 23" x 14 1/2"
(380 x 585 x 370 mm)



Free-Standing Open-Top Waste Receptacle

5240-L-14 - 14.3 Gallon (54 L)
13" x 22" x 12 1/4"
5240-L-19 - 19.4 Gallon (73.4 L)
13" x 30" x 12 1/4"

Same as 5240-T, but without top.



Free-Standing Swing-Top Waste Receptacle **TECH DATA**

5240-T-14 - 14.3 Gallon (54 L)
13" x 30 1/2" x 12 1/4"
5240-T-19 - 19.4 Gallon (73 L)
13" x 38 1/2" x 12 1/4"

Top has self-closing doors. Vinyl wall bumpers top and bottom; rubber feet.



Countertop Towel Dispensers & Waste Disposal Doors

5350 **TECH DATA** Countertop-Mounted Paper Towel Dispenser and Waste Receptacle

Towels loaded by pushing through hinged dispensing flaps. One package C-fold towel capacity. Includes loose waste receptacle to be placed on vanity floor directly below waste door.

Counter Opening:
12 1/2" x 13 1/2" (320 x 340 mm)



5352 **TECH DATA** Countertop-Mounted Waste Receptacle

Push door is self-closing. Includes loose waste receptacle 12" x 12" x 12" (305mm) to be placed on vanity floor directly below waste door.

Counter Opening:
12 1/2"W x 8 3/4"H (318 x 222mm)



5354 **TECH DATA** Countertop-Mounted Paper Towel Dispenser

Towels loaded by pushing through hinged dispensing flaps. One package C-fold towel capacity.

Counter Opening:
12 1/4" x 4 1/4" (310 x 110 mm)

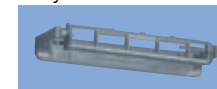


5265 **TECH DATA**

Roll Paper Towel Dispenser

Heavy duty aluminum casting, satin finish. Molded plastic spindle has concealed locking device which prevents theft of paper towels and spindle. Accommodates standard perforated paper towel rolls up to 6" in diameter (152 mm). Limited rocking controls delivery.

Overall Size:
13" wide x 4 7/8" projection
(330 x 124 mm)

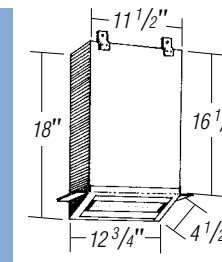


5330

Recessed Towel Dispenser

Dispenses 600 C-fold or 800 multi-fold paper towels. Towel dispenser is concealed behind mirror or wall; only towel tray is visible. Cabinet is provided with two push-up flaps for bottom filling of paper towels.

Wall Opening: 11 3/4" x 18 1/4" x 4 1/2"
(300 x 465 x 115 mm)



Napkin/Tampon Vendors & Disposals

Type 304 stainless steel satin finish unless otherwise noted.

5100 **TECH DATA** Surface-Mounted Napkin/Tampon Vendor

Capacity: 30 napkins, 27 tampons. Coinage is 25¢.

Overall Size: 11 3/4" x 26 1/8" x 6 1/2" (298x663x165mm)

Not Shown:

5110 **TECH DATA** Recess-Mounted

Similar to 5100 but recessed mounted.

Wall Opening: 12 1/2" x 26 5/8" x Depth from 1" to 6"
(317 x 676 x 25-152mm).

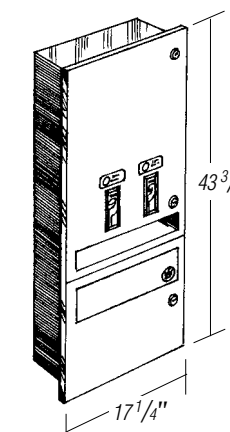


5115 **TECH DATA** Recess-Mounted Sanitary Napkin/Tampon Vendor & Disposal

Designed for one-toilet washrooms; dispenses 15 napkins and 23 tampons. Unit has two dispensing mechanisms; removable disposal which can be emptied without opening dispenser unit. Self-closing door. Coinage is 25¢.

Wall Opening: 16" x 42" x 4 1/4" (406 x 1070 x 110 mm)

Suggested Mounting Height: 24" from bottom of unit to floor; barrier-free, 17" (610 & 430 mm)



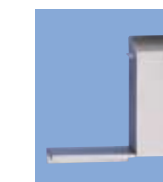
5134 **TECH DATA** Surface-Mounted Napkin Disposal

7 1/2" x 10" x 3 7/8"
(191 x 254 x 98 mm)



5135 **TECH DATA** Surface-Mounted Napkin Disposal with Shelf

5134 with 8" long shelf (203 mm).



5140 **TECH DATA** Surface-Mounted Napkin Disposal

Similar to 5142, but surface mounted.

Overall Size:
11" x 15 1/4" x 4" (279 x 387 x 102 mm)

Suggested Mounting Height:
16" from bottom of unit to floor (406 mm)

Not Shown:

5140-L **TECH DATA**

Similar to 5140 but has tumbler lock.



5142 **TECH DATA** Recess-Mounted Napkin Disposal

Similar to 5152, but recessed for side wall installation.

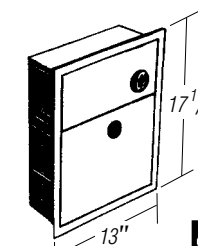
Wall Opening:
11 1/4" x 15 3/4" x 4 1/4" (285 x 400 x 108 mm)

Suggested Mounting Height:
16" from bottom of unit to floor (406 mm)

Not Shown:

5142-L

Similar to 5142 but has tumbler lock.



5152 **TECH DATA** Partition-Mounted Napkin Disposal, Dual Access

Serves two compartments. Receptacle removable from one side for servicing and locks to back of cabinet with stainless steel clips. Self-closing doors on each side.

Partition Opening: 11 3/8" x 15 5/8" (290 x 400 mm)

Suggested Mounting Height:
16" from bottom of unit to floor (406 mm)

Not Shown:

5152-L

Similar to 5152 but has tumbler lock.

