



Grab bars are now considered a necessity for every bathing area. It is suggested that both a vertical and horizontal bar be provided; the horizontal for pulling oneself safely out of a sitting position and the vertical for stability while entering and leaving the tub. Both are useful handholds during a shower. Fastener kits are ordered separately (see page 23).

Dimensions are centerline unless noted otherwise.

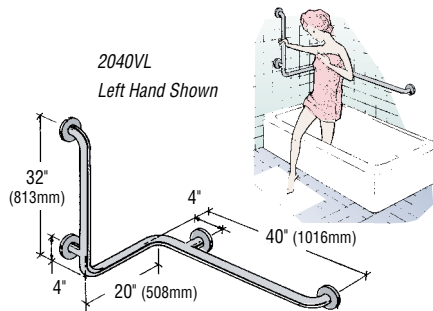
These bathtub bars are Series Q/FS-1 satin finish stainless steel with 1/4" O.D. tubing (32mm) and FS-1 square concealed screw flanges.

- Top to bottom:
 Q-1632/FS-1, RH — Horizontal/Vertical Bar
 Q-2040V/FS-1, RH — Horizontal Corner Bar with Vertical Arm
 Q-2040/FS-1 — Horizontal Corner Bar
 Q-3636V/FS-1, RH — Tub/Shower Bar

Bathtub Entry Bars

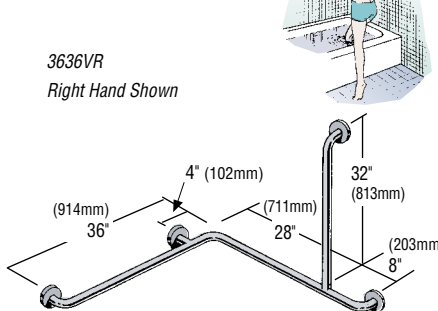
Fastener Kits are ordered separately (see page 23).

2040V Horizontal Corner Bar with Vertical Arm

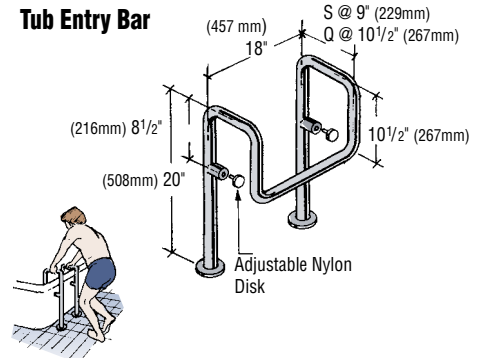


The 2040V and 3636V are excellent multi-purpose bars that provide a vertical arm and two horizontal supports for added stability. When entering tub, if the bather's right hand grips the vertical, specify right hand. If reverse, specify left.

3636V Tub/Shower Bar



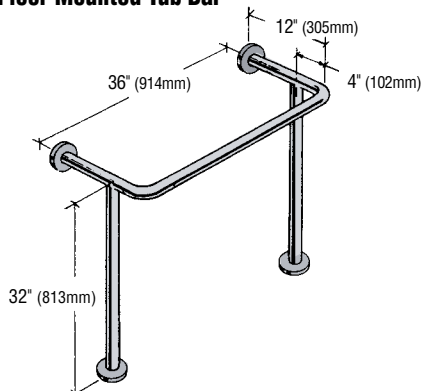
2010 Tub Entry Bar



This bar provides a convenient grip for balance at tub entrance. The time-tested design combines floor mounting with a brace that adjusts against the tub for a snug fit. *Note:* Dimensions are for 16" (406mm) tub height. If different, please give tub height from floor.

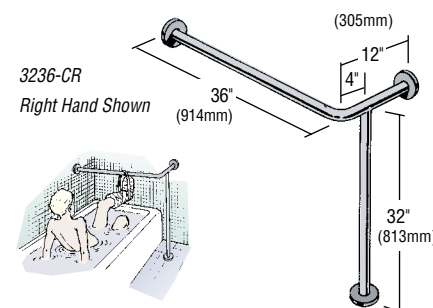
Bathtub Bars

3236 Floor-Mounted Tub Bar



3236-C Floor/Corner Mounted Tub Bar

When entering tub, if the bather's right hand is used, specify right hand. If reverse, specify left.



1236 Wall-Suspended Tub Bar

